

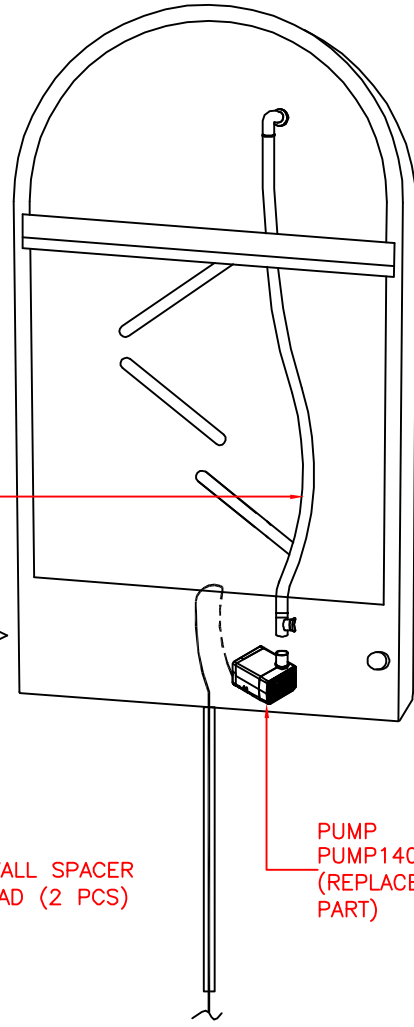
15.9 CM (6-1/4") WIDTH,
7.6 CM (3") EXTEND,
8.3 CM (3-1/4") HEIGHT.

FOUNTAIN BODY

RUBBER HOSE
1.6 CM (5/8") DIA. TUBING.
x 67.3 CM (26-1/2") LENGTH

CORD COVER

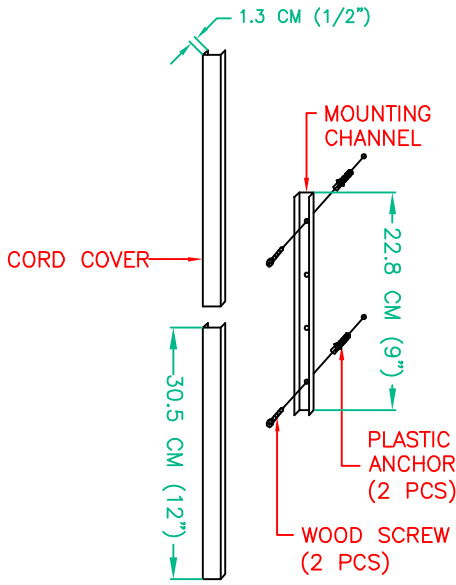
POWER CORD



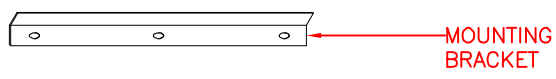
BACK VIEW

PUMP
PUMP1400
(REPLACEMENT
PART)

WALL SPACER
PAD (2 PCS)



AVAILABLE PART IS:
PUMP1400 (PUMP)



MOUNTING
BRACKET

KENROY HOME
3723 Regent Boulevard
JACKSONVILLE, FL. 32224
PHONE: 904-642-4340
FAX: 904-642-4150

THIS DOCUMENT AND THE INFORMATION THAT IT DISCLOSES IS THE EXCLUSIVE PROPERTY OF KENROY HOME. ANY REPRODUCTION OR USE OF THIS DRAWING IN PART OR IN WHOLE, WITHOUT THE EXPRESS CONSENT OF THE PROPRIETOR IS PROHIBITED. © 2018 KENROY HOME.

DATE: 12/23/2018 SCALE: NONE DRAWN BY: ARVIN

REFERENCE: SILVA WALL FOUNTAIN APPROVAL:

REVISION DATE:
REVISION DATE:
REVISION DATE:
REVISION DATE:

MODEL #:
51091RST
FINISHES: **RUST**
PAGE: 1 OF 2

PRODUCT SPECIFICATIONS

OVERALL ASSEMBLED DIMENSIONS

HEIGHT: 79 CM (31-1/8"), WIDTH: 45 CM (17-3/4"), EXTENSION: 17.8 CM (7").

PUMP: ETL LISTED (5002665). 120V, 60HZ, 5 WATT. MODEL: YH-400MIX, SUBMERSIBLE FOUNTAIN PUMP, FLOW RATE: 105 GPH. HEAD: 110 CM (43-1/4") HEIGHT.

FOUNTAIN BODY: PAINTED STEEL IN RUST FINISH, 45 CM (17-3/4") WIDTH x 17.8 CM (7") EXTENSION x 79 CM (31-1/8") HEIGHT, CAPACITY: 1.9 GALLONS. SHAPED AS SHOWN. SHAPED AS SHOWN.

BRACKET: PAINTED STEEL IN RUST FINISH, 43.8 CM (17-1/4") LENGTH x 5 CM (2") WIDTH.

PUMP POWER CORD: UL LISTED, FROM PUMP TO PLUG: 3.3 M (11 FEET) LENGTH. 18 AWG., 3 CONDUCTORS, 105°C, TYPE SJTW, WATER PROOF. BLACK COLOR. COPPER MATERIAL. WIRES MUST BE LEAD FREE.

LABELS: MANUFACTURING DATE, MODEL # AND COUNTRY OF ORIGIN LABEL PROVIDED, WARNING LABEL FOR PARTS AND PARTS ARROW LABEL WERE STUCK ON INSIDE OF BOX.

PACKAGING AND SHIPPING DETAILS

EACH PART IS CAREFULLY WRAPPED IN A PLASTIC BAG AND PLACED SECURELY IN THE INNER PACKING SO THEY CAN NOT MOVE DURING SHIPPING.

THE CARTON IS MADE OF DOUBLE WALL CORRUGATED CARDBOARD "K MA K". (200 LBS), BROWN IN COLOR. THE INNER PACKING IS DIE-CUT CARDBOARD AND/OR STYROFOAM SUFFICIENT TO PROTECT AND SECURE THE FOUNTAIN AND MUST PASS THE FEDEX AND ISTA-3A DROP TEST REQUIREMENTS.

EACH CARTON SHALL BE PRINTED WITH A LINE DRAWING AND THE KENROY HOME NAME, LOGO AND CUSTOMER SERVICE PHONE NUMBER (PRODUCT HELP LINE - 904.642.4340), MODEL NUMBER FINISH, EACH CARTON SHALL BE PROVIDED A UPC LABEL. THE UPC BAR CODE AS FOLLOWS: 053392989927.

OTHER DETAILS

THE FOUNTAIN MUST BE STRAIGHT FROM SIDE VIEW AFTER ASSEMBLY.

MODEL 51091RST INSTRUCTIONS ARE TO BE PACKED WITH EACH FOUNTAIN. INSTRUCTIONS MUST BE PRINTED CLEARLY ON QUALITY PAPER.

ALL VISIBLE PARTS MUST MATCH FOUNTAIN FINISH UNLESS OTHERWISE SPECIFIED.

ALL BAGS MUST BE LABELED WITH OFFICIAL "THIS BAG IS NOT A TOY" STATEMENT.

ASSEMBLY TIME: 15 MINUTES.

DIMS OF BOX: 53 CM (20-7/8") LENGTH x 26 CM (10-1/4") WIDTH x 89 CM (35") HEIGHT. (CUFT.: 4.34')

NET WEIGHT: 11.11 LBS. GROSS WEIGHT: 15.51 LBS.

THIS FOUNTAIN IS RATED FOR INDOOR AND OUTDOOR USE.

KENROY HOME 3723 Regent Boulevard JACKSONVILLE, FL. 32224 PHONE: 904-642-4340 FAX: 904-642-4150	THIS DOCUMENT AND THE INFORMATION THAT IT DISCLOSES IS THE EXCLUSIVE PROPERTY OF KENROY HOME. ANY REPRODUCTION OR USE OF THIS DRAWING IN PART OR IN WHOLE, WITHOUT THE EXPRESS CONSENT OF THE PROPRIETOR IS PROHIBITED. © 2018 KENROY HOME.			REVISION DATE:	MODEL #:
	DATE: 12/23/2018	SCALE: NONE	DRAWN BY: ARVIN	REVISION DATE:	51091RST
	REFERENCE: SILVA WALL FOUNTAIN	APPROVAL:	REVISION DATE:	FINISHES: RUST	
			REVISION DATE:	PAGE: 2 OF: 2	