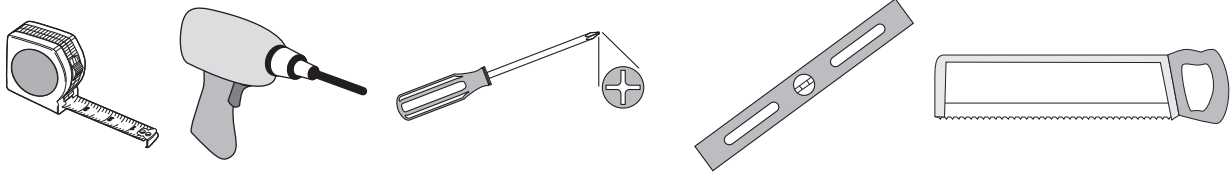
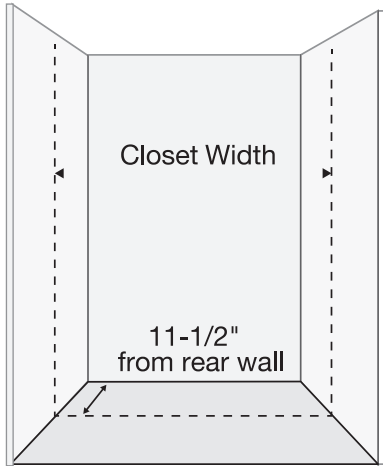


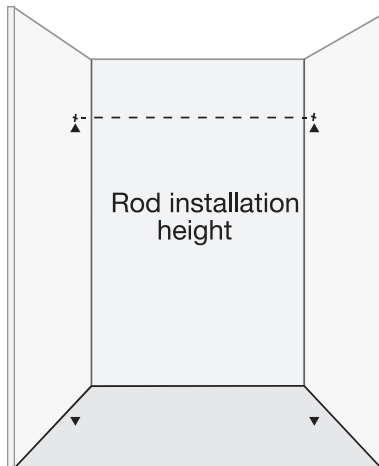
# Tools Required



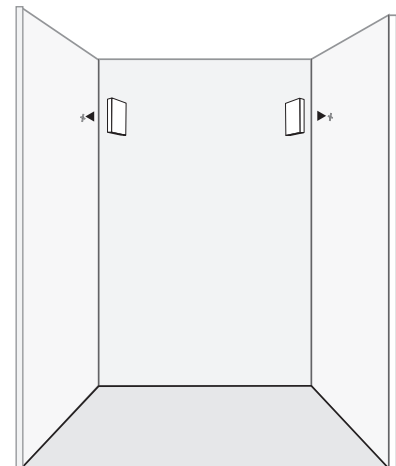
# Closet Pole Installation



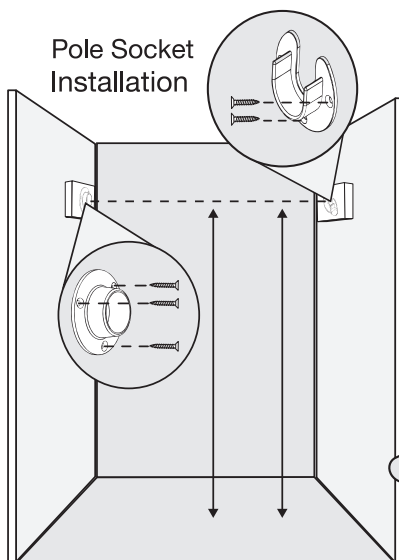
First, measure the width of your closet. Measure 11-1/2" from the rear closet wall.



Next, determine the installation height of your rod. Allow sufficient height to insure your clothing hangs freely. Mark the position on each wall for pole sockets.

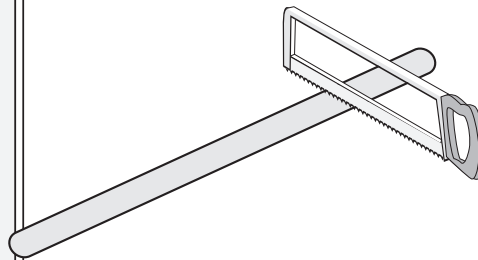


To insure a proper installation, it will be necessary to affix wall cleats to the closet side walls. These are typically 5" x 12" x 1/2" blocks of wood which are attached to the wall using screws and drywall anchors. Attach the pole socket to the cleat to allow 2-1/2" of space between the pole and a shelf above the cleat.

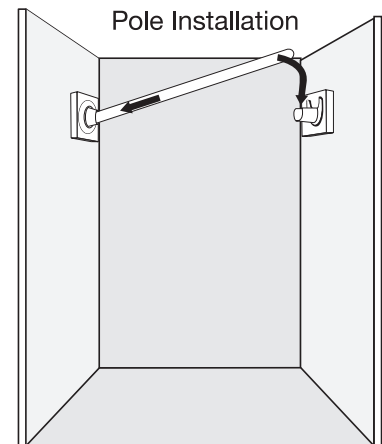


Once the cleats are firmly attached, screw in the pole sockets using the included screws. It may be necessary to pre-drill pilot holes. Make sure the sockets are level with each other across closet pole span.

Cut Closet Pole to Fit



Using a hack saw or pipe cutter, cut the closet pole to fit the span to your closet. The pole length is generally the distance between the side walls minus 1-inch.



Insert one end of the closet pole into the enclosed pole socket. Once the pole end is fully inserted, place the other end in the opposite pole socket. Check to make sure pole is level and secure. Installation is complete.