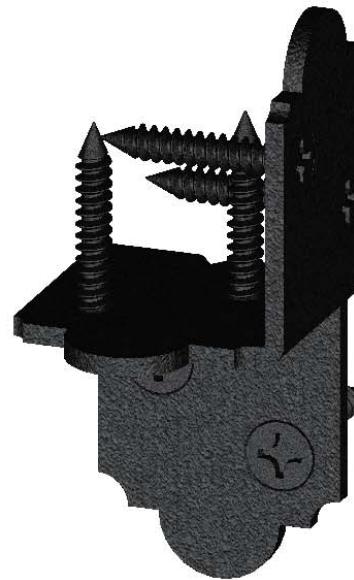


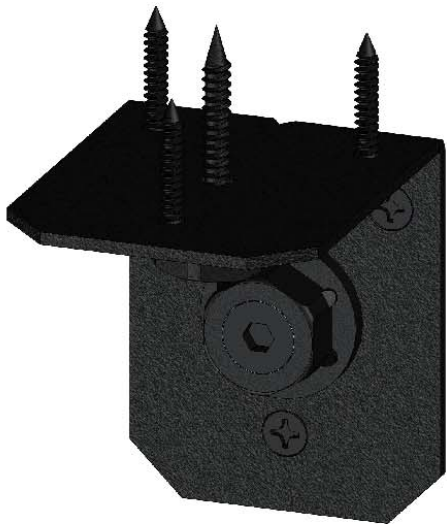
56617



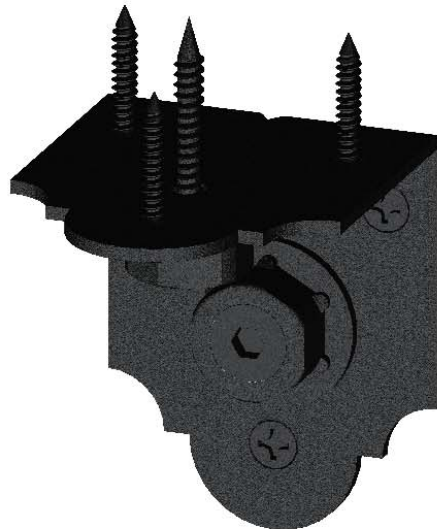
51717



56638



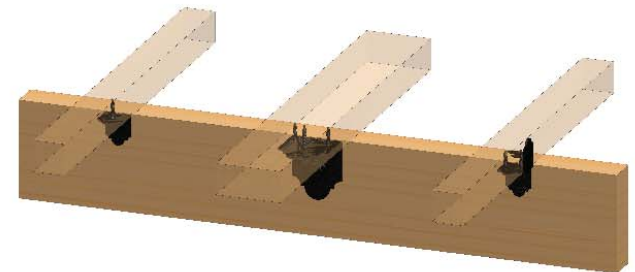
51718



56618

Installation Instructions, Rafter Clips

- 56617 2" Standard (RC-LS-2)
- 51717 2" Standard (RC-IW-2)
- 56618 4" Standard (RC-LS-4)
- 51718 4" Standard (RC-IWS-4)
- 56638 2" High Velocity (RC-LS-HV-2)

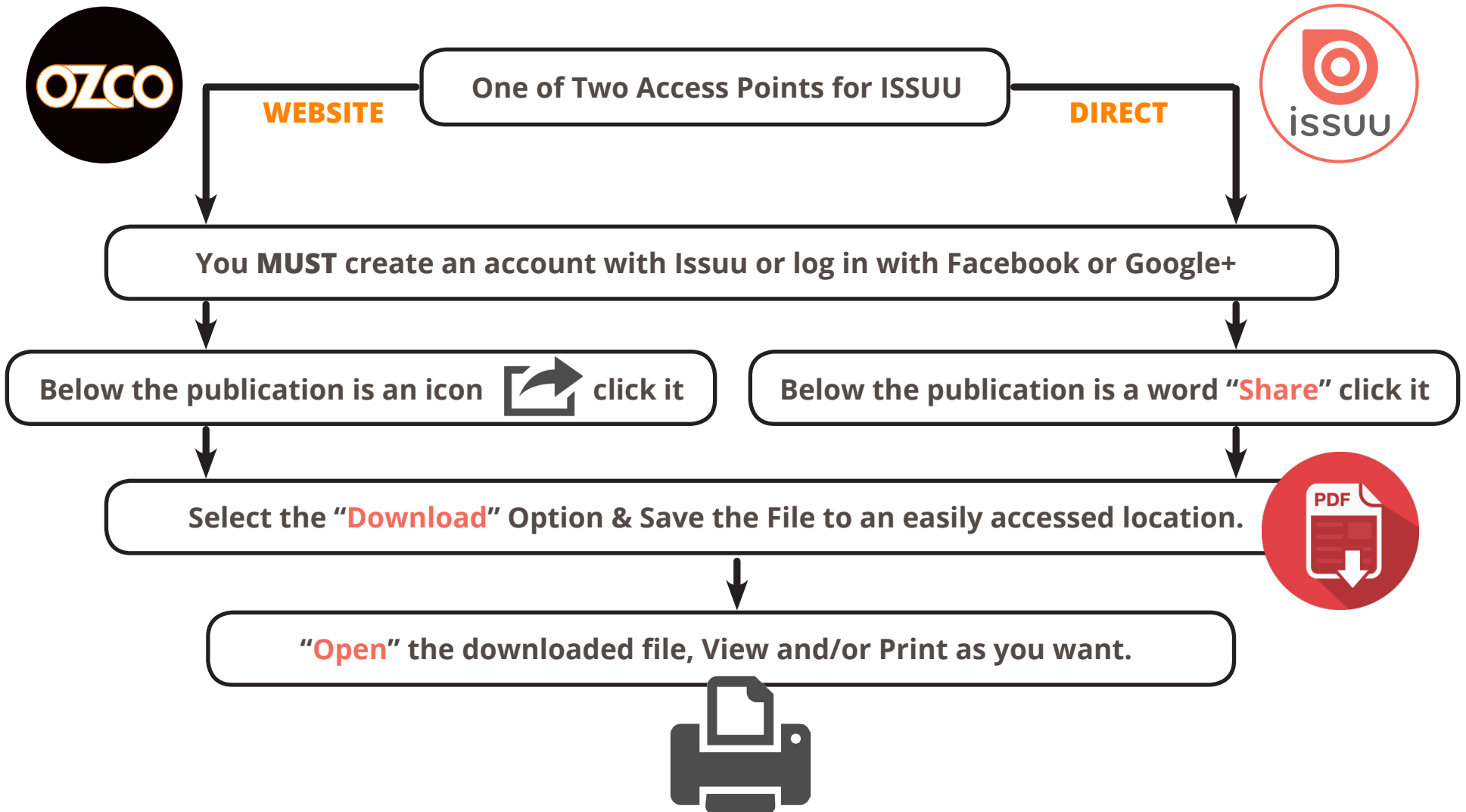


Typical Installation
Laredo Sunset shown



Printing Documents from ISSUU

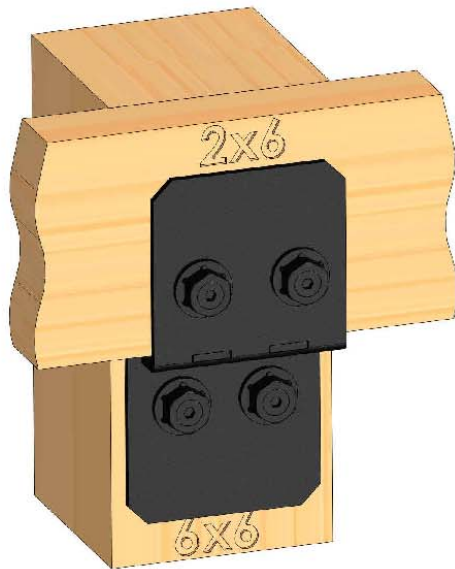
Unfortunately, there is currently no way to print content directly through issuu. To print a publication, you will need to download it and print it from your computer.



Laredo Sunset

vs.

Ironwood



Ironwood
(517XX series)

2 great styles
same functionality



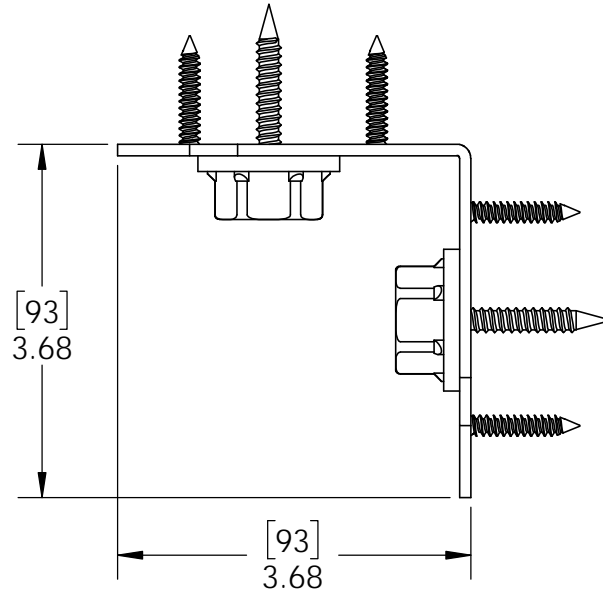
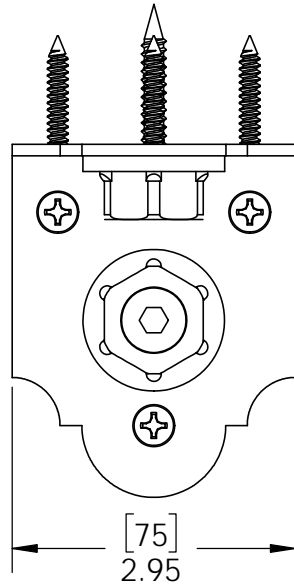
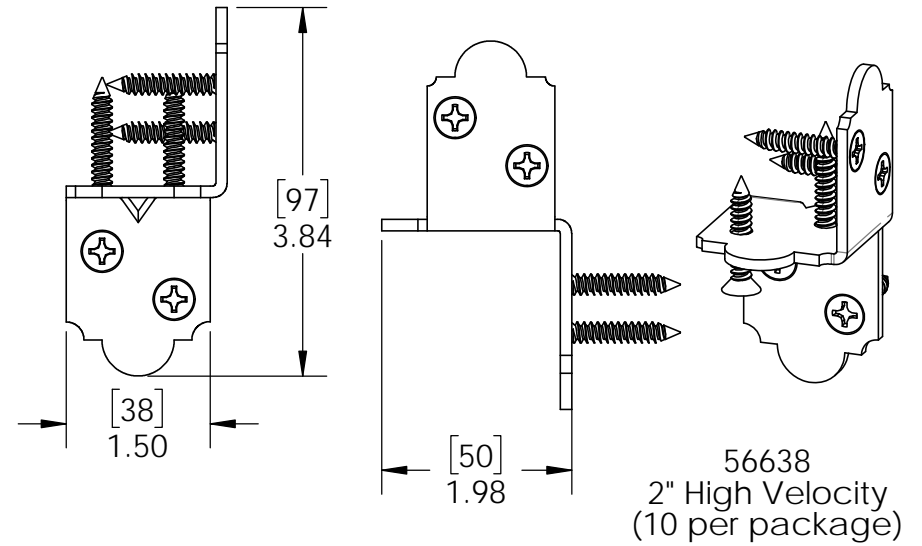
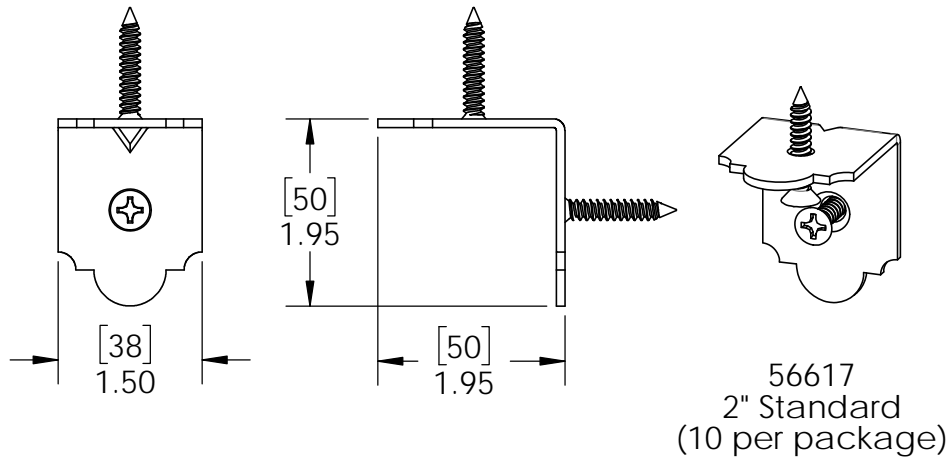
Laredo Sunset
(566XX series)

choose your connection lifestyle

both styles available for most products



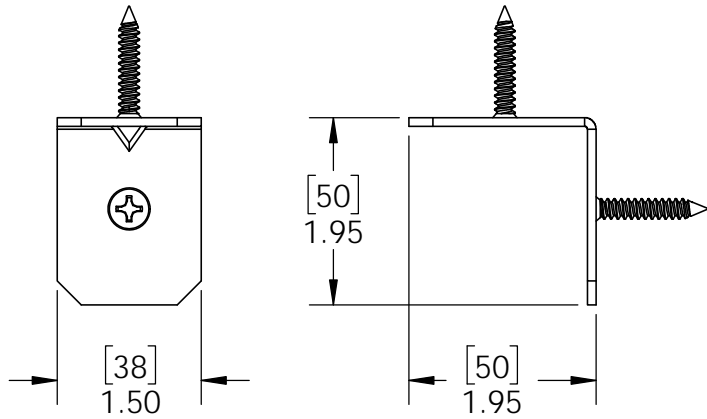
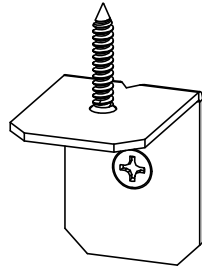
OZCO BUILDING PRODUCTS



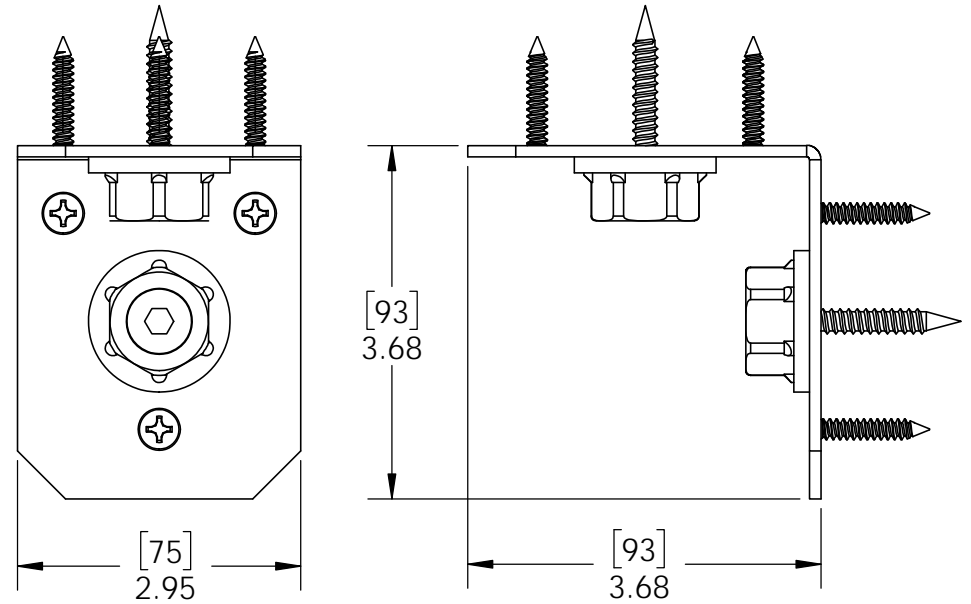
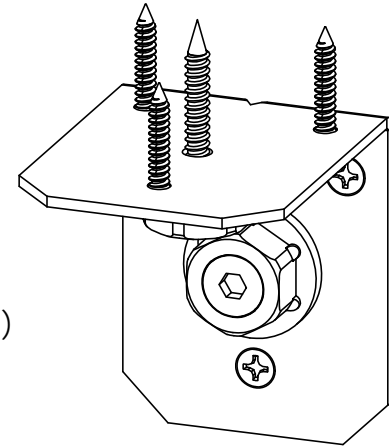
56618
4" Standard
(10 per package)

Laredo Sunset
Installation Instructions, Rafter Clips

51717
2" Standard
(10 per package)

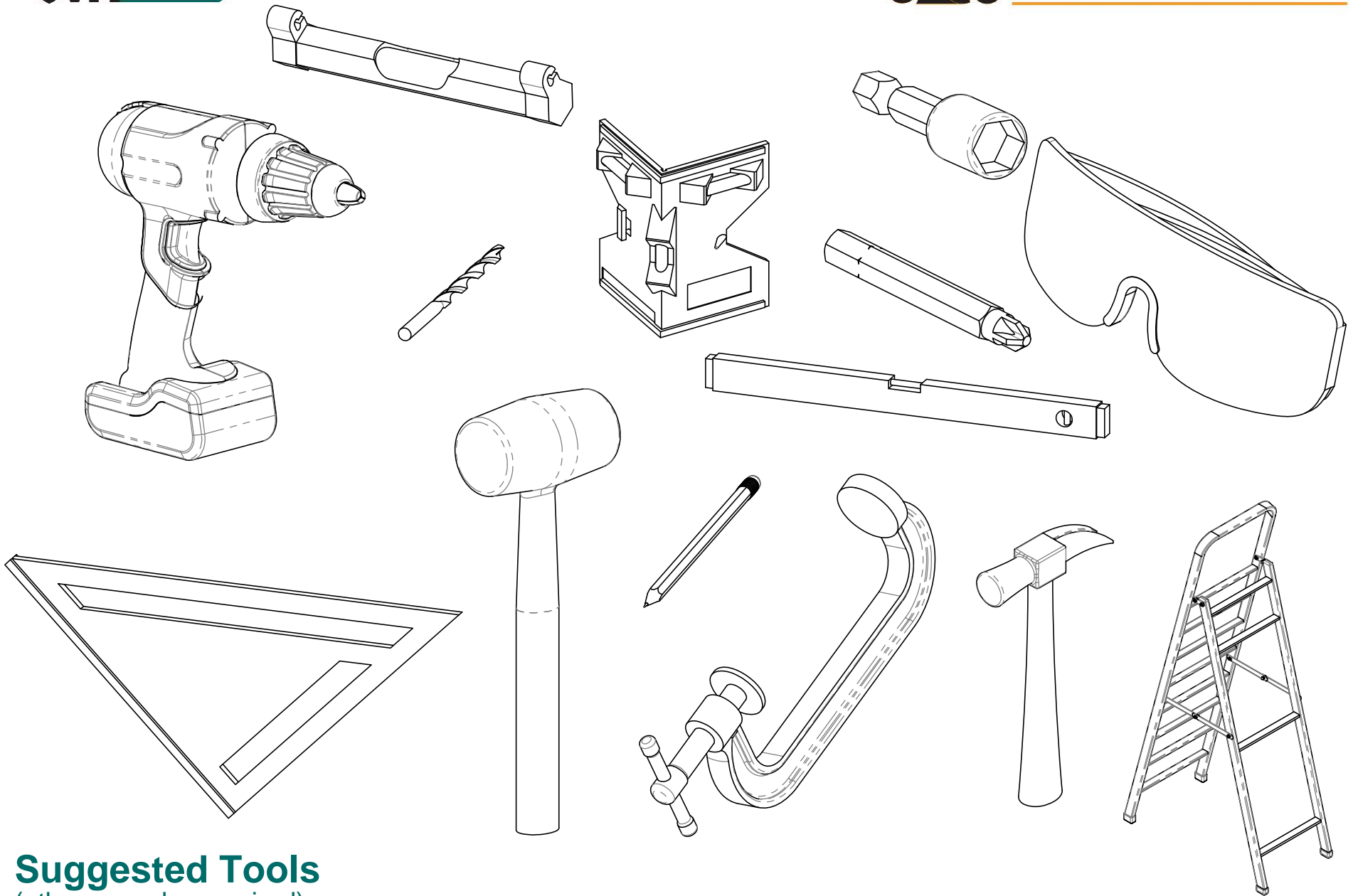


51718
4" Standard
(10 per package)



Ironwood

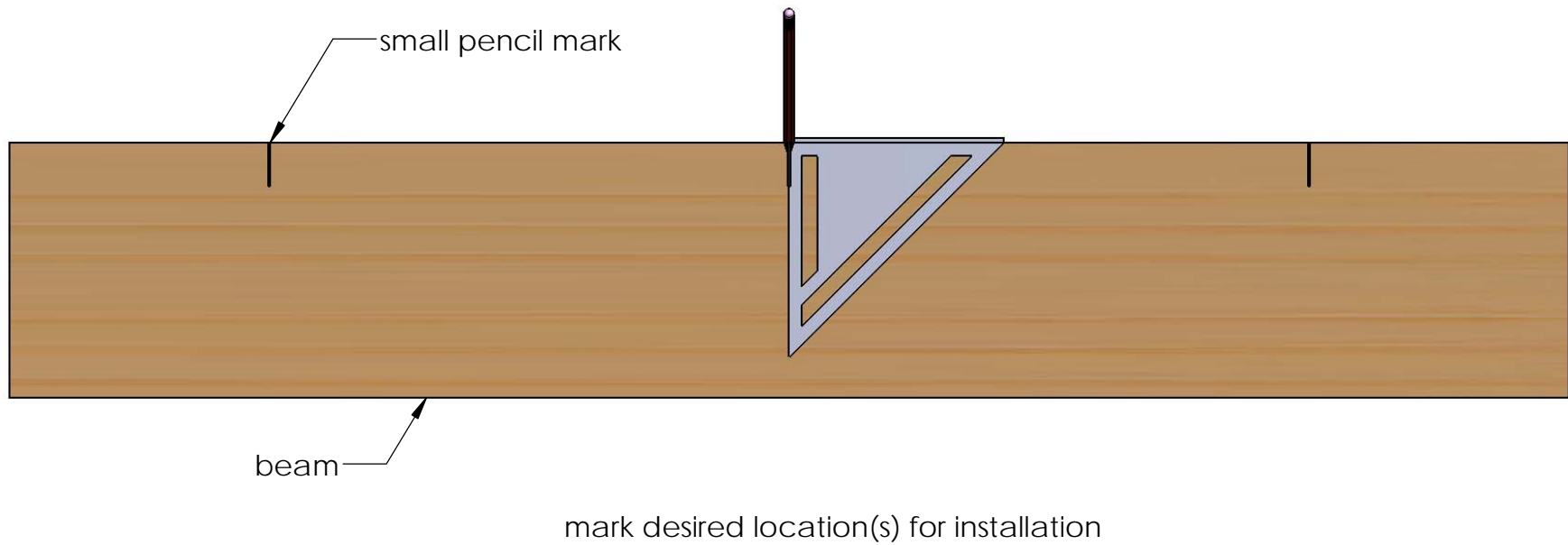
Installation Instructions, Rafter Clips



Suggested Tools

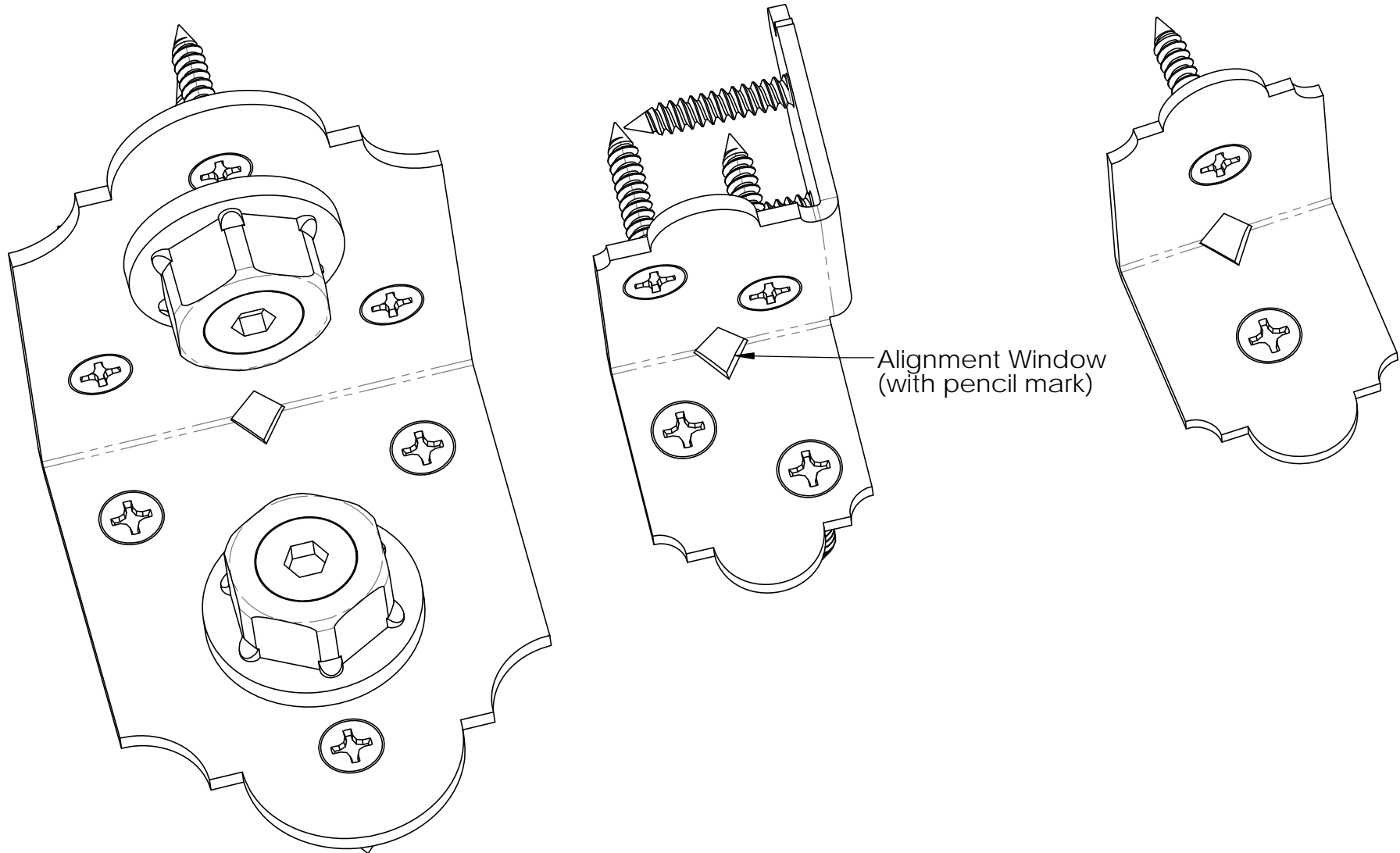
(others may be required)

Installation Instructions, Rafter Clips



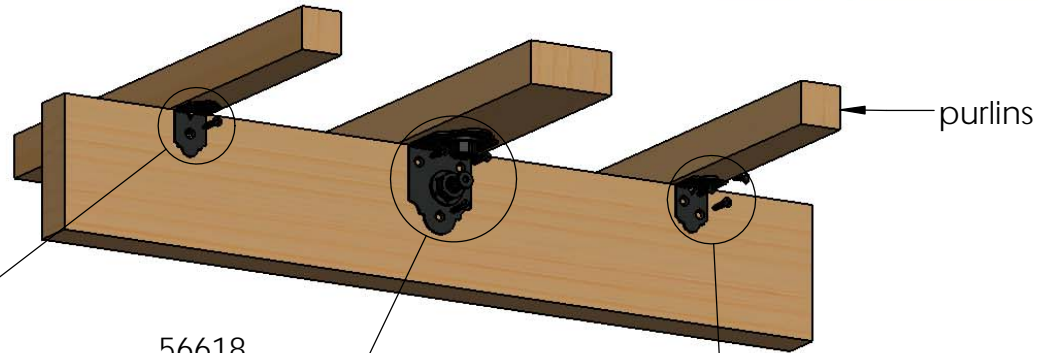
step 1

Installation Instructions, Rafter Clips



alignment window

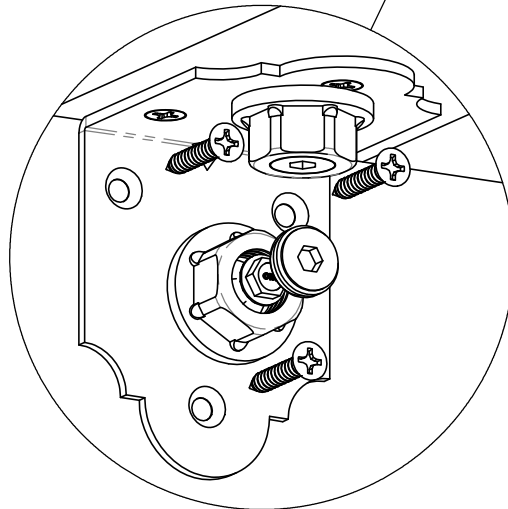
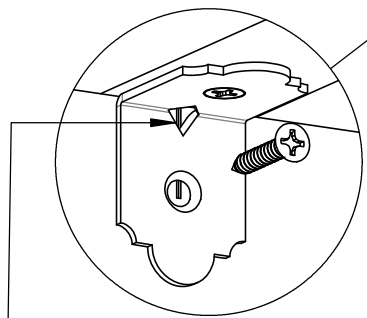
Installation Instructions, Rafter Clips



56617
2" Standard

56618
4" Standard

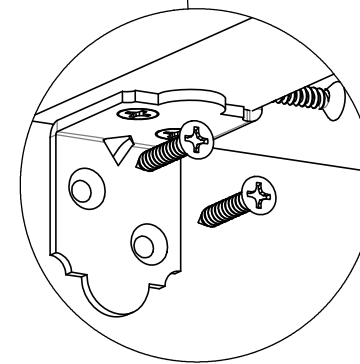
purlins



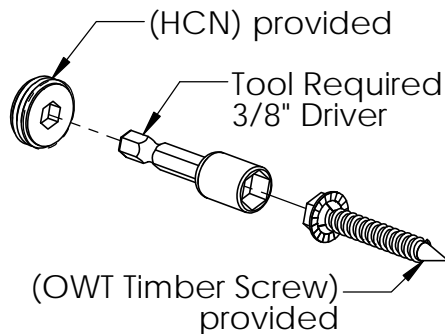
note tab on
High Velocity
Rafter Clip

note pencil mark in
Alignment Window.

center rafter clip on
pencil mark & secure



56638
2" High Velocity



(HCN) provided

Tool Required
3/8" Driver

(OWT Timber Screw)
provided

step 2

Installation Instructions, Rafter Clips