

weatherables®

Premium Vinyl Stair Railing

Installation Guide

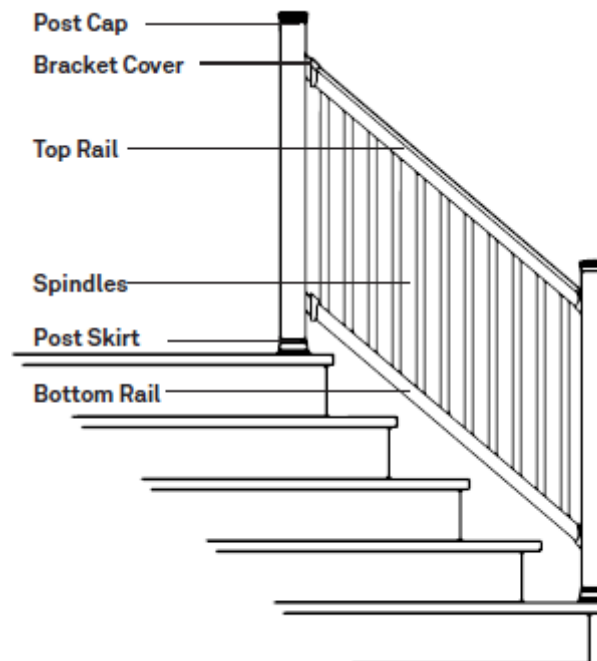
THE BEST CHOICE FOR STRONG & DURABLE RAILING SYSTEMS

Our exclusive manufacturing process ensures our vinyl railing will provide superior strength plus it is virtually maintenance free. This guide will help make your installation easy. For questions, please call 1-855-224-9761 and welcome to Weatherables®.

Please note:

It is the responsibility of the installer to conform to local building codes and safety requirements. It is also the installer's responsibility to obtain all necessary building permits. These instructions are guidelines and do not cover every installation scenario.

Separate instructions are included for railing brackets. If purchasing post mounts specific instructions will be included within the packaging. Review all instructions before starting railing installation. The installer may need to modify the exact installation method to meet unique site requirements. Weatherables® or its distributors shall not be held liable for improper or unsafe installations.

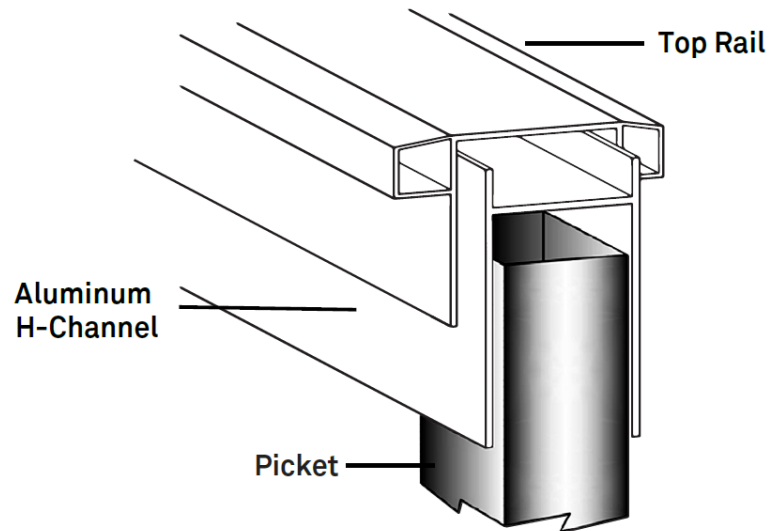


Note:

Premium stair brackets can accommodate angles of 30°-40°.

Installation Tips:

1. Since you are installing at an angle the actual width of the stair section will be less than the length of the rails.
2. When cutting material, double check the measurements before cutting.
3. The bracket kits include two different size screws. The 1-1/2" screws are used to install the black mounting bracket to the post. The 1" screws are used to attach the rail to the black mounting bracket.
4. If you are using an optional post mount, use the 1" screws that come with the post mounting hardware to install the mounting brackets.
5. When marking the angle on the rails ensure there is equal space between the pickets and the post on each end.
6. A miter saw with high tooth count carbide blade can be used to cut the vinyl and aluminum at the same time. Cut slowly and use all safety precautions.
7. Before installing the rails, ensure the aluminum is seated into the vinyl rail properly. The large opening of the H-channel should face towards the picket holes.
8. For some installations, the post at the bottom of the stairs may need to be taller.
9. Stair sections do not include a foot block. Instead aluminum inserts are provided for both the top and bottom rail.



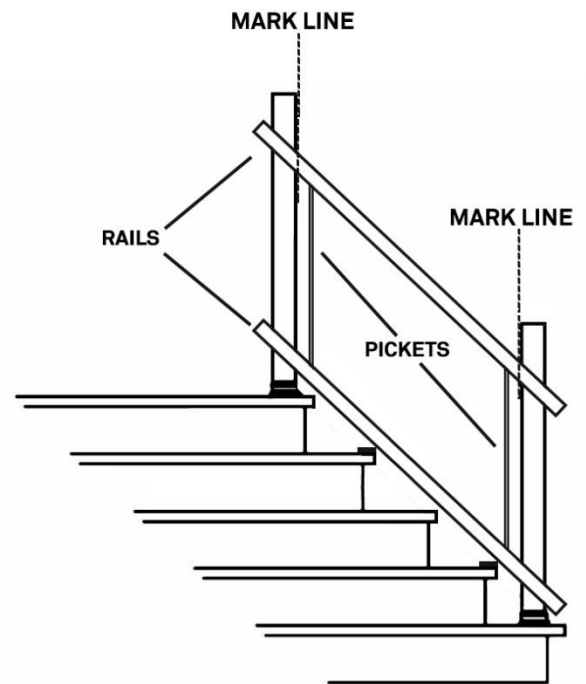
Recommended Tools:

- Safety Glasses
- Level
- Tape Measure
- Miter saw with high tooth count carbide blade
- Rubber Mallet
- Power Drill
- Phillips Drive Bit
- Quick Clamp Grips
- Speed Square

Section 1

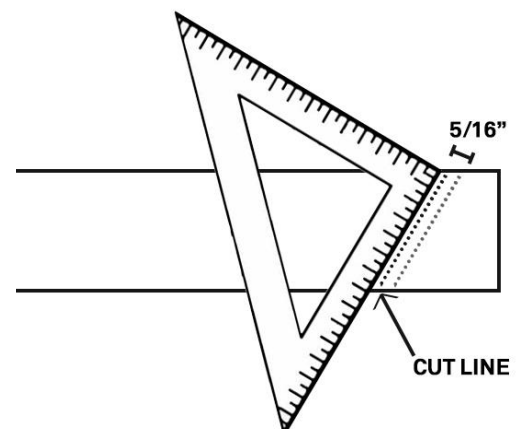
These instructions are designed to be supplemental; review all instructions provided with the brackets before starting installation.

1. Level and plumb each post and install the optional post skirt before installing the railing section. It's important that the post skirts are in place prior to installing the railing sections. Since they are one piece they cannot be added after the railing is installed.
2. Place a 1" spacer on the step closest to the bottom post and another on the step closest to the top post. Assure they sit at the nose of the step and are secured so they will not slide.
3. Place the bottom rail alongside the posts on top of the 1" spacers.
4. Install one picket on each end of the bottom rail closest to the posts. Next, set the top rail in place ensuring the larger opening of the H-channel aluminum insert faces the pickets.



5. Lightly clamp the top and bottom rails to the post at the bottom of the stairs so that the section stays in place.
6. Adjust the railing section to ensure there is equal space between the pickets and the post on each end. Measure the distance between the post and the first picket at the top and the bottom of the railing section to ensure the picket is straight.

7. Using a pencil, place a mark on the rails where the post and rails intersect, then remove the section and disassemble it.
8. To allow space for the brackets, make a second mark $5/16''$ in from the original mark on each side of the rails. Use an angle square or speed square and a pencil to mark the rail angle. Repeat for the top rail.

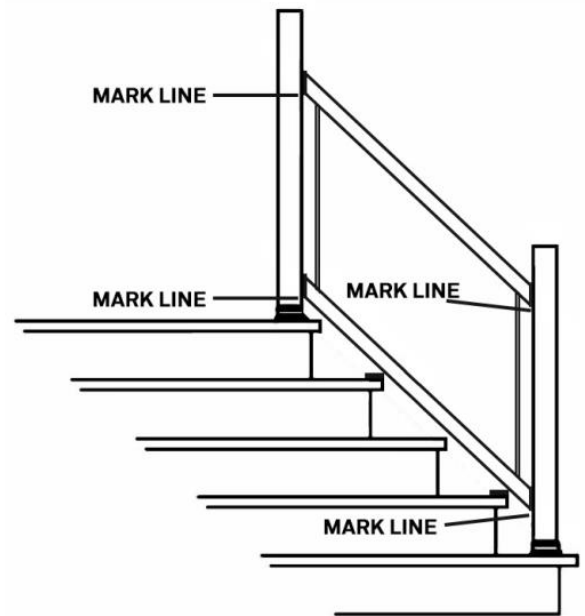


9. Cut the vinyl rails at the second mark, assuring that the aluminum insert is cut to the same length

and angle. Be sure to cut slowly and use all safety precautions.

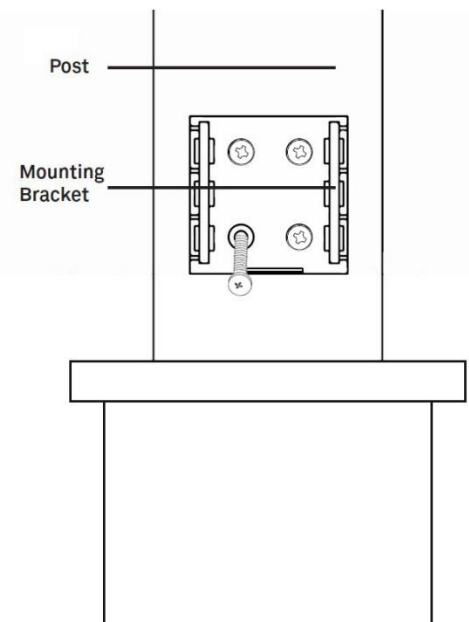
Section 2

1. Slide the mounting brackets onto the ends of each rail. Install one picket on each end of the rail closest to the post and set the railing section on top of the spacers, between the posts.
2. Double check that the railing is straight by measuring the distance between the post and the first picket at the top and the bottom of the railing section.
3. Place a mark on the post at the bottom of each bracket and then remove the railing section.



Section 3

1. Center each mounting bracket on the post and align the bottom of each mounting bracket to the drawn lines.
2. Install the black mounting brackets to the post by screwing the 1 1/2" screws into the holes on the bracket. Be sure that you do not over-tighten the screws.
3. Slide the bracket covers onto the bottom rail ensuring the back of the cover is facing the post.
4. Set the bottom rail into the lower mounting brackets. It is important that the bottom of the rail is resting completely on the lip of the bracket.
5. Fasten the bottom rail to the mounting brackets using the 1" screws provided.
6. Slide the bracket covers over the black mounting brackets and snap them into place.



Note:

A small dimple on the outside of the bracket cover may be visible on some brackets. This is done in the molding process and denotes the bottom of the bracket. Make sure the dimple is installed towards the ground.

Section 4

1. Insert the pickets down through the routed holes in the bottom rail.
2. Slide the bracket covers onto the top rail ensuring the back of the cover is facing the post.
3. Holding the top rail at an upward angle, slowly line the pickets up with the routed holes in the top rail while lowering the rail into place.
4. Next, fasten the top rail to the mounting brackets using the 1" screws provided.
5. Slide the bracket covers over the black mounting brackets and snap them into place.
6. If needed, reduce the post height and install the post caps.

