

## Model XRU12Z Parts List

A = Standard Equipment

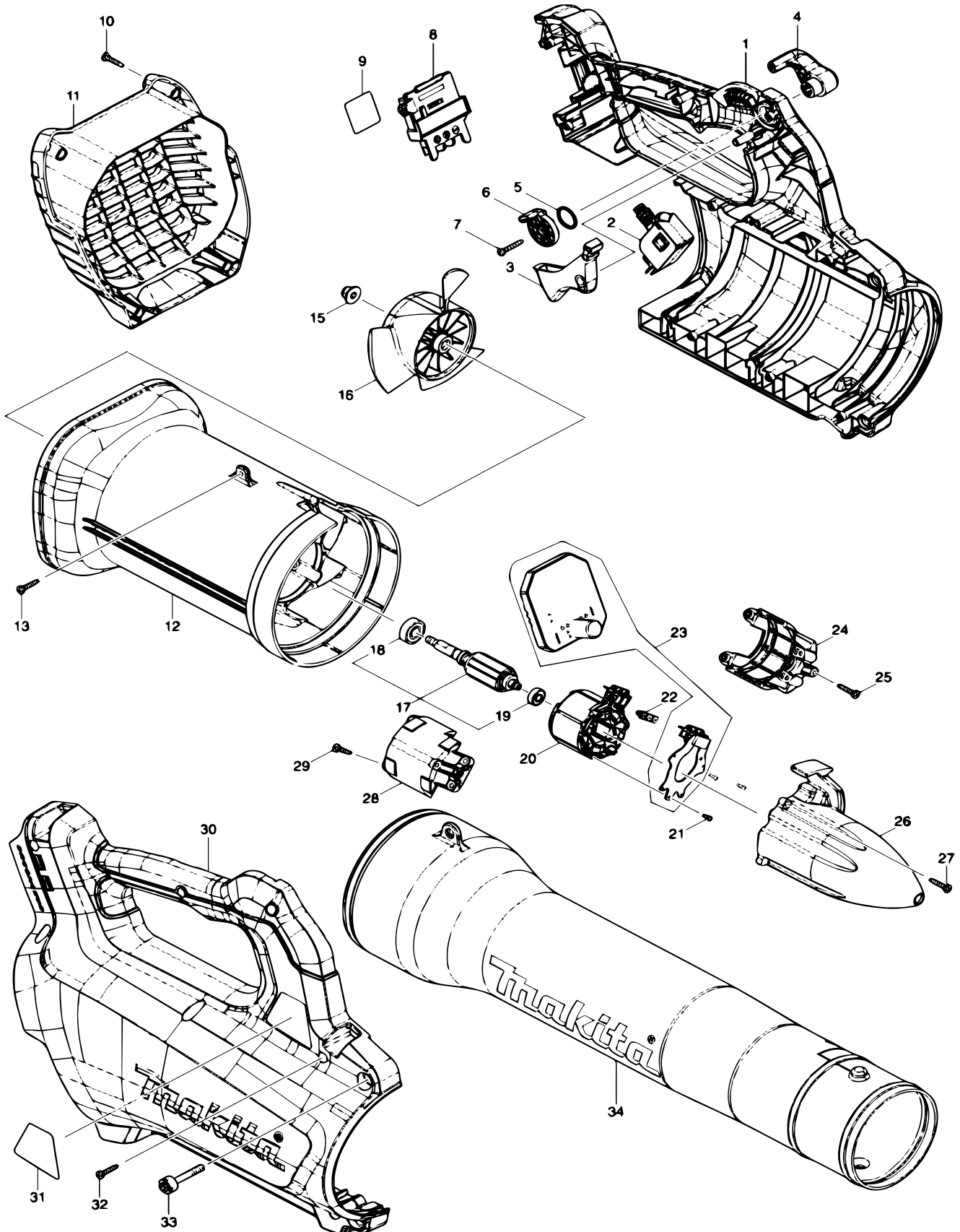
O = Circuit Diagram

Item#	Part#	Description	Q'ty Unit
001	183A19-1	GRIP SET	1 PC.
	C10 931202-6	HEX. NUT M5	1 PC.
	D10	INC. 12	
002	699085-7	POWER SUPPLY CORD UNIT	1 PC.
003	687260-7	STRAIN RELIEF	1 PC.
004	266326-2	TAPPING SCREW 4X18	1 PC.
005	455629-1	LOCK OFF LEVER	1 PC.
006	233621-5	TORSION SPRING 9	1 PC.
007	455625-9	SWITCH LEVER	1 PC.
008	632E26-0	SWITCH UNIT	1 PC.
009	144371-6	SUB CONTROLLER COMPLETE	1 PC.
010	233612-6	TORSION SPRING 10	1 PC.
011	922228-9	H.S.H.BOLT M5X18 WITH WR	1 PC.
012	183A19-1	GRIP SET	1 PC.
	C10 931202-6	HEX. NUT M5	1 PC.
	D10	INC. 1	
013	266326-2	TAPPING SCREW 4X18	6 PC.
023	183F35-3	HOUSING SET	1 PC.
	C10 263005-3	RUBBER PIN 6	2 PC.
	D10	INC. 30	
024	346248-3	CLAMP 24	1 PC.
025	266326-2	TAPPING SCREW 4X18	1 PC.
026	687260-7	STRAIN RELIEF	1 PC.
027	266326-2	TAPPING SCREW 4X18	1 PC.
028	620642-0	CONTROLLER	1 PC.
030	183F35-3	HOUSING SET	1 PC.
	C10 263005-3	RUBBER PIN 6	2 PC.
	D10	INC. 23	
031	266326-2	TAPPING SCREW 4X18	6 PC.
032	852Y04-6	XRU12 NAME PLATE	1 PC.
033	644809-6	TERMINAL	1 PC.
034	451601-1	SPACER 24	1 PC.
035	347116-3	HANGER	1 PC.
037	326925-3	PIPE B	1 PC.
038	454304-6	JOINT COVER	1 PC.
039	454303-8	LOCK LEVER	1 PC.
040	233604-5	TORSION SPRING 3	1 PC.
041	233211-4	COMPRESSION SPRING 2	1 PC.
042	258010-3	SPRING PIN 2.5-25	2 PC.
044	265596-0	HEX.BOLT M6X40	1 PC.
045	253332-6	THIN WASHER 6	1 PC.
046	213105-9	O RING 11	1 PC.
047	252159-1	HEX. NUT M6	1 PC.
048	272268-0	LEVER 94	1 PC.
049	961014-3	STOP RING E-8	1 PC.
050	319531-1	JOINT 24 B	1 PC.
051	922311-2	HEX. SOCKET HEAD BOLT M6X12	1 PC.
052	922342-1	HEX. SOCKET HEAD BOLT M6X25	1 PC.
053	931302-2	HEX. NUT M6	1 PC.

054-1	213275-4	O RING 18	1 PC.
055	699087-3	POWER SUPPLY CORD UNIT	1 PC.
056	183F18-3	MOTOR HOUSING SET	1 PC.
	D10	INC. 69	
057	629248-1	STATOR	1 PC.
058	519429-4	ROTOR ASS'Y	1 PC.
	D10	INC. 59,60	
059	210051-7	BALL BEARING 609ZZ	1 PC.
060	211157-4	BALL BEARING 695ZZ	1 PC.
061	346857-8	GUARD	1 PC.
062	211157-4	BALL BEARING 695ZZ	1 PC.
063	221492-2	HELICAL GEAR 26	1 PC.
064	326924-5	CUTTER SHAFT	1 PC.
065	210059-1	BALL BEARING 6000DDW	1 PC.
066	144512-4	RECEIVE WASHER COMPLETE	1 PC.
	D10	INC. 67	
067	213055-8	O RING 10	1 PC.
068	652069-6	FLAT HEAD SCREW M3X6	3 PC.
069	183F18-3	MOTOR HOUSING SET	1 PC.
	D10	INC. 56	
070	266326-2	TAPPING SCREW 4X18	8 PC.
071	424567-8	RUBBER SLEEVE 24	1 PC.
075	144413-6	PIPE COMPLETE B	1 PC.
	C10	819312-8 MAKITA LOGO LABEL	1 PC.
	C20	812D08-4 CAUTION LABEL	1 PC.
076	326880-9	STOPPER PIN B	1 PC.
077	699088-1	POWER SUPPLY CORD UNIT	1 PC.
078	213275-4	O RING 18	1 PC.
080	326348-5	WIRE GUARD	1 PC.
081	413143-3	WASHER	2 PC.
082	454641-8	PROTECTOR HOLDER	1 PC.
083-1	253428-3	SPRING WASHER 6	2 PC.
084	266579-3	HEX SOCKET HEAD BOLT M6X30	2 PC.
085-1	266427-6	TAPPING SCREW 4X12	2 PC.
086-1	347274-5	CUTTER	1 PC.
087-1	457324-9	PROTECTOR	1 PC.
088-1	457937-6	LOOP HANDLE 24	1 PC.
089	922212-4	HEX. SOCKET HEAD BOLT M5X12	1 PC.
090	263005-3	RUBBER PIN 6	1 PC.
091	347011-7	PIPE CLAMP 29	1 PC.
092	922212-4	HEX. SOCKET HEAD BOLT M5X12	1 PC.
A01	198386-5	TRIMMER HEAD 95-M8L SET M	1 PC.
	C10	456640-6 SPOOL HOLDER	1 PC.
	C20	232289-4 COMPRESSION SPRING 15	1 PC.
	C30	144259-0 SPOOL COVER COMPLETE	1 PC.
	C40	456642-2 SPOOL	1 PC.
A02	125516-5	BAND ASSEMBLY	1 PC.
A03	783202-0	HEX. WRENCH 4	1 PC.
A04	783217-7	HEX. WRENCH 5	1 PC.
A05	831304-7	ACCESSORY BAG	1 PC.
A06	424596-1	CAP 24	1 PC.
A07	195246-2	SAFETY GOGGLE	1 PC.



**XBU03**



Products with multiple versions are listed in subsiding order with the newest version on top not indented.

Section	Fig. No.	Part No.	Description	XBU03	Tech Bulletin	Notes
1	1	183M73-7	HOUSING SET	1		
1	2	651395-0	SWITCH C3JW-6B-PA6N	1		
1	3	459696-8	SWITCH LEVER	1		
1	4	459697-6	CONTROL LEVER	1		
1	5	213154-6	O RING 14	1		
1	6	459698-4	LINK	1		
1	7	266127-8	+ TAPPING SCREW PT 3X20	1		
1	8	643874-2	TERMINAL	1		
1	9	856D77-5	XBU03 SERIAL NO. LABEL	1		
1	10	266130-9	TAPPING SCREW BIND PT 3X16	4		
1	11	459699-2	REAR COVER	1		
1	12	459695-0	FAN HOUSING	1		
1	13	266130-9	TAPPING SCREW BIND PT	3		
1	15	252286-4	COLLARED HEX.LOCK NUT M5-8	1		
1	16	240177-1	FAN 110	1		
1	17	519580-0	ROTOR ASS'Y	1		INC. 18,19
1	18	210040-2	BALL BEARING 698LLU	1		
1	19	211157-4	BALL BEARING 695ZZ	1		
1	20	629292-8	STATOR	1		
1	21	266490-9	TAPPING SCREW PT 2X6	3		
1	22	652069-6	FLAT HEAD SCREW M3X6	3		
1	23	620B76-9	CONTROLLER	1		
1	24	183M64-8	MOTOR HOUSING SET	1		
1	25	266130-9	TAPPING SCREW BIND PT 3X16	2		
1	26	459700-3	CAP	1		
1	27	266130-9	TAPPING SCREW BIND PT 3X16	2		
1	28	183M64-8	MOTOR HOUSING SET	1		INC. 24
1	29	266130-9	TAPPING SCREW BIND PT 3X16	4		
1	30	183M73-7	HOUSING SET	1		INC. 1
1	31	856D70-9	XBU03 NAME PLATE	1		
1	32	266130-9	TAPPING SCREW BIND PT 3X16	9		
1	33	251570-4	HEX.SOCKET HEAD BOLT M5X30	2		
1	34	459701-1	FRONT NOZZLE	1		

Products with multiple versions are listed in subsiding order with the newest version on top not indented.

Section	Fig. No.	Part No.	Description	XBU03	Tech Bulletin	Notes
1	A01	783202-0	HEX. WRENCH 4	1		Not Pictured
1	A07B	***DC18RC	DC18RC FAST CHARGER	1		Not Pictured
1	A08B	197268-8	BATTERY BL1840B SET	1		Not Pictured