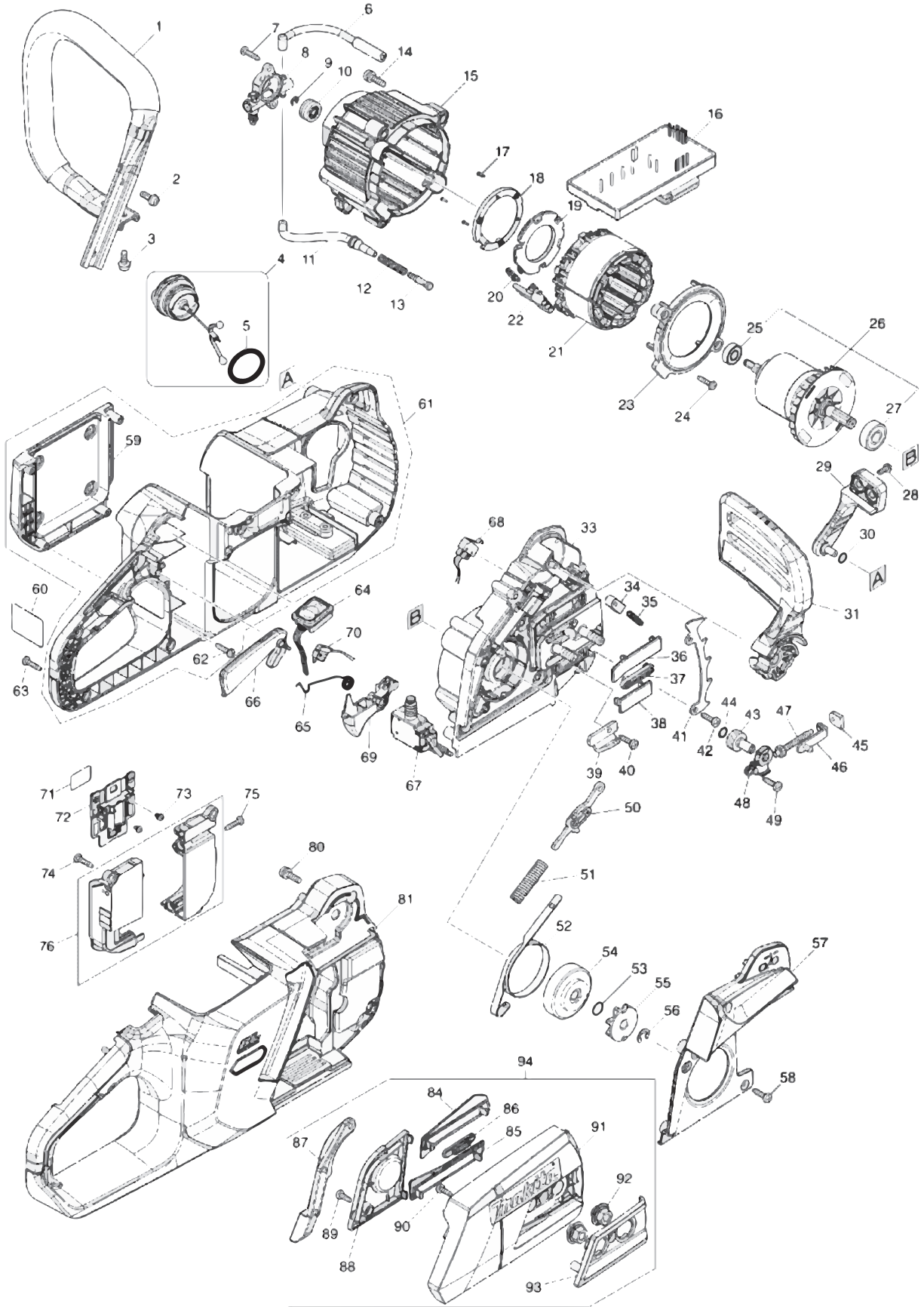




GCU04



Products with multiple versions are listed in subsiding order with the newest version on top not indented.

Section	Fig. No.	Part No.	Description	GCU04	Tech Bulletin	Notes
1	1	327932-9	FRONT HANDLE	1		
1	2	911218-7	PAN HEAD SCREW M5X14	2		
1	3	911218-7	PAN HEAD SCREW M5X14	2		
1	4	122A77-2	TANK CAP ASSEMBLY	1		INC. 5
1	5	213080-9	O RING 29.5	1		
1	6	422835-3	OIL TUBE 3-117	1		
1	7	266326-2	TAPPING SCREW 4X18	2		
1	8	142857-4	OIL PUMP COMPLETE	1		
1	9	961011-9	STOP RING E-4	1		
1	10	226884-0	WORM GEAR	1		
1	11	422836-1	OIL TUBE 3-108	1		
1	12	231975-4	SPRING	1		
1	13	452666-6	NIPPLE	1		
1	14	911228-4	PAN HEAD SCREW M5X18	3		
1	15	413C89-1	MOTOR HOUSING	1		
1	16	620H72-3	CONTROLLER	1		
1	17	266490-9	TAPPING SCREW PT 2X6	3		
1	18	687B69-9	STOPPER	1		
1	19	620H75-7	CONTROLLER B	1		
1	20	652031-1	PAN HEAD SCREW M3X6	3		
1	21	629B00-9	STATOR	1		
1	22	632T19-7	LEAD UNIT	1		
1	23	413C90-6	BAFFLE PLATE	1		
1	24	266326-2	TAPPING SCREW 4X18	2		
1	25	210016-9	BALL BEARING 698ZZ	1		
1	26	519732-3	ROTOR ASS'Y	1		INC. 25,27
1	27	210059-1	BALL BEARING 6000DDW	1		
1	28	911118-1	PAN HEAD SCREW M4X12	2		
1	29	413C92-2	FRONT HAND GUARD RETAINER	1		
1	30	213594-8	O RING 7	1		
1	31	141H51-3	FRONT HAND GUARD COMPLETE	1		
1	33	136609-3	HOUSING BASE ASSEMBLY	1		
1		263002-9	RUBBER PIN 4	1		INC WITH FIG 33/NOT PICTURED
1	34	313398-9	HAND GUARD GUIDE	1		
1	35	234210-9	COMPRESSION SPRING 3	1		

Products with multiple versions are listed in subsiding order with the newest version on top not indented.

Section	Fig. No.	Part No.	Description	GCU04	Tech Bulletin	Notes
1	36	413D07-5	GUARD A	1		
1	37	422834-5	GROMMET A	1		
1	38	413D08-3	GUARD B	1		
1	39	347924-2	CHAIN CATCHER	1		
1	40	266034-5	TAPPING SCREW CT 4X16	1		
1	41	347925-0	SPIKE BUMPER	1		
1	42	266034-5	TAPPING SCREW CT 4X16	1		
1	43	227744-9	HELICAL GEAR 18	1		
1	44	213594-8	O RING 7	1		
1	45	452668-2	CLAMP SCREW BEDDING	1		
1	46	347923-4	TENSION SLIDE	1		
1	47	227743-1	HELICAL GEAR 11	1		
1	48	413D06-7	GEAR COVER	1		
1	49	266034-5	TAPPING SCREW CT 4X16	1		
1	50	141E60-4	LINK PLATE COMPLETE	1		
1	51	232452-9	COMPRESSION SPRING 7	1		
1	52	347922-6	BRAKE BAND COMPLETE	1		
1	53	213060-5	O RING 10	1		
1	54	162979-4	BRAKE DRUM	1		
1	55	191V90-7	SPROCKET 6 SET	1		
1	56	961013-5	STOP RING E-7	1		
1	57	413C95-6	BRAKE COVER	1		
1	58	266034-5	TAPPING SCREW CT 4X16	6		
1	59	413C88-3	BATTERY COVER	1		
1	61	136689-9	HOUSING L ASSEMBLY	1		INC. 59,62
1	62	266326-2	TAPPING SCREW 4X18	4		
1	63	266326-2	TAPPING SCREW 4X18	9		
1	64	620J22-0	SWITCH CIRCUIT COMPLETE	1		
1		810D46-0	SWITCH LABEL	1		INC WITH FIG 64/NOT PICTURED
1	65	232733-1	TORSION SPRING 10	1		
1	66	413C94-8	CATCH LEVER	1		
1	67	650024-2	SWITCH C3JR-4B-PAND4-1	1		
1	68	632T50-3	SWITCH UNIT	1		
1	69	413C93-0	SWITCH LEVER	1		
1	70	632L49-0	SWITCH UNIT	1		

Products with multiple versions are listed in subsiding order with the newest version on top not indented.

Section	Fig. No.	Part No.	Description	GCU04	Tech Bulletin	Notes
1	72	632T07-4	TERMINAL UNIT	1		
1	73	652031-1	PAN HEAD SCREW M3X6	2		
1	74	266326-2	TAPPING SCREW 4X18	3		
1	75	266326-2	TAPPING SCREW 4X18	2		
1	76	183V16-3	TERMINAL BOX SET	1		
1		263005-3	RUBBER PIN 6	2		INC WITH FIG 76/NOT PICTURED
1	80	911228-4	PAN HEAD SCREW M5X18	4		
1	81	136684-9	HOUSING R ASS'Y	1		
1	84	413D09-1	GUARD C	1		
1	85	413D10-6	GUARD D	1		
1	86	422833-7	GROMMET	1		
1	87	422832-9	CHIP GUIDE	1		
1	88	413C98-0	INNER COVER	1		
1	89	266427-6	TAPPING SCREW 4X12	1		
1	90	266427-6	TAPPING SCREW 4X12	1		
1	91	413C96-4	SPROCKET COVER	1		
1	92	162493-0	FLANGE NUT COMPLETE	2		
1	93	413C97-2	NUT COVER	1		
1	94	183V86-2	SPROCKET COVER SET	1		INC. 84-93
1	A01	E-18231	GUIDE BAR 18 SET	1		
1	A02	419242-9	CHAIN COVER	1		
1	A04	E-18225	SAW CHAIN 18 SET	1		
1	A05	782023-7	WRENCH 13-16	1		NOT PICTURED