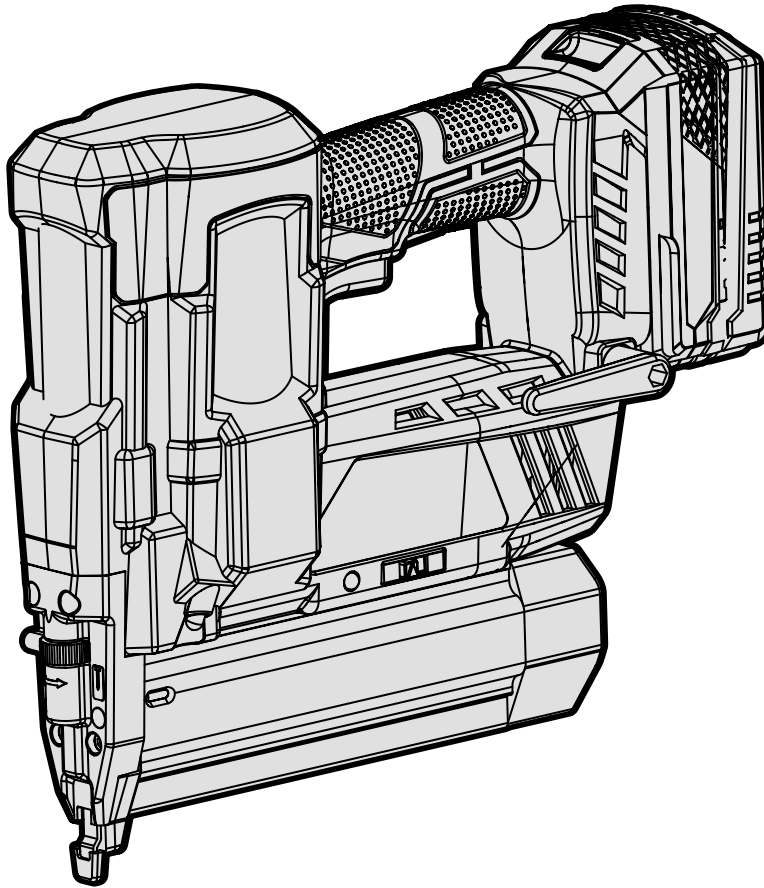




**MODEL 20512, 20512BT**

# ***20V MAX CORDLESS 18-GAUGE BRAD NAILER***

**Instruction Manual**



## ***NEED HELP? CONTACT US!***

Have product questions? Need technical support? Please feel free to contact us:



**1-847-429-9263 (M-F 8AM-5PM CST)**



**TECHSUPPORT@WENPRODUCTS.COM**

**IMPORTANT:** Your new tool has been engineered and manufactured to WEN's highest standards for dependability, ease of operation, and operator safety. When properly cared for, this product will supply you years of rugged, trouble-free performance. Pay close attention to the rules for safe operation, warnings, and cautions. If you use your tool properly and for its intended purpose, you will enjoy years of safe, reliable service.

For replacement parts and the most up-to-date instruction manuals, visit ***WENPRODUCTS.COM***

# CONTENTS

<b>WELCOME</b>	<b>3</b>
Introduction .....	3
Specifications.....	3
<b>SAFETY</b>	<b>4</b>
General Safety Rules .....	4
Brad Nailer Safety Warnings .....	6
Electrical Information (Charger).....	7
Battery & Charger Safety Warnings .....	8
<b>BEFORE OPERATING</b>	<b>9</b>
Unpacking & Packing List .....	9
Know Your Brad Nailer .....	9
Assembly & Adjustments.....	10
<b>OPERATION &amp; MAINTENANCE</b>	<b>13</b>
Operation .....	13
Maintenance.....	14
Troubleshooting Guide .....	15
Exploded View & Parts List.....	17
Warranty Statement .....	20

To purchase accessories and replacement parts for your tool, visit **WENPRODUCTS.COM**

**20V 2.0Ah Max Battery** (Model 20202 and 20202B)

**20V 4.0Ah Max Battery** (Model 20204 and 20204B)

**20V 5.0Ah Max Battery** (Model 20205)


**20V 2A Charger** (Model 20200C)

**20V 5A Quick Charger** (Model 20201Q)

WEN is continuously adding new items to our 20V line. For an up-to-date list of the 20V cordless tools compatible with the included battery and charger, visit [wenproducts.com](http://wenproducts.com) and search model number 20202(B) (2Ah), 20204(B) (4Ah), or 20205 (5Ah). In the battery's description, there will be a list of current products that this battery can be used with.

## INTRODUCTION

Thanks for purchasing the WEN Brad Nailer. We know you are excited to put your tool to work, but first, please take a moment to read through the manual. Safe operation of this tool requires that you read and understand this operator's manual and all the labels affixed to the tool. This manual provides information regarding potential safety concerns, as well as helpful assembly and operating instructions for your tool.

 Indicates danger, warning, or caution. The safety symbols and the explanations with them deserve your careful attention and understanding. Always follow the safety precautions to reduce the risk of fire, electric shock or personal injury. However, please note that these instructions and warnings are not substitutes for proper accident prevention measures.

**NOTE:** The following safety information is not meant to cover all possible conditions and situations that may occur. WEN reserves the right to change this product and specifications at any time without prior notice.

At WEN, we are continuously improving our products. If you find that your tool does not exactly match this manual, please visit [wenproducts.com](http://wenproducts.com) for the most up-to-date manual or contact our customer service at **1-847-429-9263**.

**Keep this manual available to all users during the entire life of the tool and review it frequently to maximize safety for both yourself and others.**

## SPECIFICATIONS

Model Number	20512, 20512BT
Included Battery*	2.0Ah Battery (Model 20202)*
Included Charger*	20V, 2A DC (Model 20200C)*
Magazine Capacity	100 Nails
Rated Firing Speed	60 Nails / Minute
Maximum Firing Speed	100 Nails / Minute
Nail Type	18-Gauge Brad Nails
Nail Length	3/4 in. to 2 in.
Product Weight	5.68 Pounds (Without Battery)

Battery Models	All WEN 20V MAX Batteries**
Charger Models	All WEN 20V MAX Chargers

**\*NOTE:** Battery and charger only included with model 20408. Model 20408BT does not include a battery or charger.

**\*\*NOTE:** Some tools may not be compatible with WEN 20V MAX 1.5Ah Batteries, model 49120B. Contact WEN customer service at **1-847-429-9263**, M-F with questions.

# GENERAL SAFETY RULES

 **WARNING!** Read all safety warnings and all instructions. Failure to follow the warnings and instructions may result in electric shock, fire and/or serious injury.

Safety is a combination of common sense, staying alert and knowing how your item works. The term “power tool” in the warnings refers to your mains-operated (corded) power tool or battery-operated (cordless) power tool.

## SAVE THESE SAFETY INSTRUCTIONS.

### WORK AREA SAFETY

- 1. Keep work area clean and well lit.** Cluttered or dark areas invite accidents.
- 2. Do not operate power tools in explosive atmospheres, such as in the presence of flammable liquids, gases or dust.** Power tools create sparks which may ignite the dust or fumes.
- 3. Keep children and bystanders away while operating a power tool.** Distractions can cause you to lose control.

### ELECTRICAL SAFETY

- 1. Power tool plugs must match the outlet. Never modify the plug in any way. Do not use any adapter plugs with earthed (grounded) power tools.** Unmodified plugs and matching outlets will reduce risk of electric shock.
- 2. Avoid body contact with earthed or grounded surfaces such as pipes, radiators, ranges and refrigerators.** There is an increased risk of electric shock if your body is earthed or grounded.
- 3. Do not expose power tools to rain or wet conditions.** Water entering a power tool will increase the risk of electric shock.
- 4. Do not abuse the cord. Never use the cord for carrying, pulling or unplugging the power tool. Keep cord away from heat, oil, sharp edges or moving parts.** Damaged or entangled cords increase the risk of electric shock.
- 5. When operating a power tool outdoors, use an extension cord suitable for outdoor use.** Use of a cord suitable for outdoor use reduces the risk of electric shock.

- 6. If operating a power tool in a damp location is unavoidable, use a ground fault circuit interrupter (GFCI) protected supply.** Use of a GFCI reduces the risk of electric shock.

### PERSONAL SAFETY

- 1. Stay alert, watch what you are doing and use common sense when operating a power tool. Do not use a power tool while you are tired or under the influence of drugs, alcohol or medication.** A moment of inattention while operating power tools may result in serious personal injury.
- 2. Use personal protective equipment. Always wear eye protection.** Protective equipment such as a respiratory mask, non-skid safety shoes and hearing protection used for appropriate conditions will reduce the risk of personal injury.
- 3. Prevent unintentional starting. Ensure the switch is in the off-position before connecting to power source and/or battery pack, picking up or carrying the tool.** Carrying power tools with your finger on the switch or energizing power tools that have the switch on invites accidents.
- 4. Remove any adjusting key or wrench before turning the power tool on.** A wrench or a key left attached to a rotating part of the power tool may result in personal injury.
- 5. Do not overreach. Keep proper footing and balance at all times.** This enables better control of the power tool in unexpected situations.
- 6. Dress properly. Do not wear loose clothing or jewelry. Keep your hair and clothing away from moving parts.** Loose clothes, jewelry or long hair can be caught in moving parts.

# GENERAL SAFETY RULES

 **WARNING!** Read all safety warnings and all instructions. Failure to follow the warnings and instructions may result in electric shock, fire and/or serious injury.

Safety is a combination of common sense, staying alert and knowing how your item works. The term “power tool” in the warnings refers to your mains-operated (corded) power tool or battery-operated (cordless) power tool.

## SAVE THESE SAFETY INSTRUCTIONS.

**7. If devices are provided for the connection of dust extraction and collection facilities, ensure these are connected and properly used.** Use of dust collection can reduce dust-related hazards.

### POWER TOOL USE AND CARE

**1. Do not force the power tool. Use the correct power tool for your application.** The correct power tool will do the job better and safer at the rate for which it was designed.

**2. Do not use the power tool if the switch does not turn it on and off.** Any power tool that cannot be controlled with the switch is dangerous and must be repaired.

**3. Disconnect the plug from the power source and/or the battery pack from the power tool before making any adjustments, changing accessories, or storing power tools.** Such preventive safety measures reduce the risk of starting the power tool accidentally.

**4. Store idle power tools out of the reach of children and do not allow persons unfamiliar with the power tool or these instructions to operate the power tool.** Power tools are dangerous in the hands of untrained users.

**5. Maintain power tools. Check for misalignment or binding of moving parts, breakage of parts and any other condition that may affect the power tool's operation. If damaged, have the power tool repaired before use.** Many accidents are caused by poorly maintained power tools.

**6. Keep cutting tools sharp and clean.** Properly maintained cutting tools with sharp cutting edges are less likely to bind and are easier to control.

**7. Use the power tool, accessories and tool bits, etc. in accordance with these instructions, taking into account the working conditions and the work to be performed.** Use of the power tool for operations different from those intended could result in a hazardous situation.

**8. Use clamps to secure your workpiece to a stable surface.** Holding a workpiece by hand or using your body to support it may lead to loss of control.

**9. KEEP GUARDS IN PLACE** and in working order.

### SERVICE

**1. Have your power tool serviced by a qualified repair person using only identical replacement parts.** This will ensure that the safety of the power tool is maintained.


### CALIFORNIA PROPOSITION 65 WARNING

Some dust created by power sanding, sawing, grinding, drilling, and other construction activities may contain chemicals, including lead, known to the State of California to cause cancer, birth defects, or other reproductive harm. Wash hands after handling. Some examples of these chemicals are:

- Lead from lead-based paints.
- Crystalline silica from bricks, cement, and other masonry products.
- Arsenic and chromium from chemically treated lumber.

Your risk from these exposures varies depending on how often you do this type of work. To reduce your exposure to these chemicals, work in a well-ventilated area with approved safety equipment such as dust masks specially designed to filter out microscopic particles.

## **BRAD NAILER SAFETY WARNINGS**

 **WARNING!** Do not let comfort or familiarity with the product replace strict adherence to product safety rules. Failure to follow the safety instructions may result in serious personal injury.

### **BRAD NAILER SAFETY**

1. **THIS TOOL IS DESIGNED** for household use only, not for industrial or professional purposes. Do not force the tool to do a job for which it was not designed.
2. **INSPECT TOOL BEFORE USE.** Do not operate if any portion of the tool, trigger, or safety bracket is damaged, inoperable, disconnected, or altered. Damaged or missing parts should be repaired or replaced.
3. **GRIP THE TOOL FIRMLY** with both hands to maintain control while still allowing it to recoil away from the work surface as the fastener is driven.
4. **KEEP FACE AND BODY PARTS AWAY** from the back of the tool cap when working in restricted areas. Sudden recoil can result in impact to the body, especially when nailing into hard or dense material.
5. **DO NOT DISCHARGE** fasteners into open air, concrete, stone, extremely hard woods, knots, or any material too hard for the fastener to penetrate.
6. **DO NOT DRIVE FASTENERS** near the edge of your work material. The workpiece may split, causing the fastener to ricochet, injuring you or a bystander. Be aware that the fastener may follow the grain of the wood, causing it to protrude unexpectedly from the side of the work material. Drive the fastener perpendicular to the grain to reduce risk of injury.
7. **DO NOT DRIVE FASTENERS** onto the heads of other fasteners. Do not use the tool at too steep of an angle. Personal injury from strong recoil, jammed fasteners, or ricocheted nails may result.
8. **BE AWARE** of material thickness when using the nailer. A protruding nail may cause injury.
9. **WHEN THE TOOL IS BEING UTILIZED AT SPEEDS ON THE HIGH END** of its operating range, fasteners can be driven completely through thin or very soft work material. Make sure the speed is set so that fasteners are set into the material and not pushed completely through.
10. **REMOVE FINGER FROM TRIGGER** when not driving fasteners. Never carry the tool with your finger on the trigger.
11. **IF THE FASTENERS ARE JAMMED**, turn the tool OFF and remove the battery from the tool before removing the jammed fasteners.
12. **TURN THE TOOL OFF AND REMOVE THE BATTERY FROM THE TOOL WHEN NOT IN USE.** Remove fasteners from magazine before leaving the area or passing the tool to another operator. Do not climb ladders, stairs, scaffoldings, etc. with the tool ON. Do not carry the tool when it is ON to another work area. Do not make adjustments, remove magazine, perform maintenance or clear jammed fasteners while the tool is ON.
13. **DO NOT REMOVE**, tamper with, or otherwise cause the tool, trigger, or safety bracket to become inoperable. Do not tape or tie the trigger or safety bracket in the ON position. Do not remove springs from the safety bracket. Make daily inspections for free movement of the trigger and safety bracket. Do not alter or modify the tool in any way.
14. **MAINTAIN TOOLS PROPERLY.** Always keep tools clean and in good working order. Follow instructions for lubricating, changing accessories, and storage.

## ELECTRICAL INFORMATION (CHARGER)

### DOUBLE-INSULATED CHARGER

The charger's electrical system is double-insulated where two systems of insulation are provided. This eliminates the need for the usual three-wire grounded power cord. Double-insulated tools do not need to be grounded, nor should a means for grounding be added to the product. All exposed metal parts are isolated from the internal metal components with protecting insulation.



**IMPORTANT:** Servicing a double-insulated product requires extreme care and knowledge of the system, and should be done only by qualified service personnel using identical replacement parts. Always use original factory replacement parts when servicing.

**1. Polarized Plugs.** To reduce the risk of electric shock, this equipment has a polarized plug (one blade is wider than the other). This plug will fit in a polarized outlet only one way. If the plug does not fit fully in the outlet, reverse the plug. If it still does not fit, contact a qualified electrician to install a proper outlet. Do not modify the machine plug or the extension cord in any way.

**2. Ground fault circuit interrupter protection (GFCI)** should be provided on the circuit or outlet used for this power tool to reduce the risk of electric shock.

**3. Service and repair.** To avoid danger, electrical appliances must only be repaired by a qualified service technician using original replacement parts.

### GUIDELINES AND RECOMMENDATIONS FOR EXTENSION CORDS

When using an extension cord, be sure to use one heavy enough to carry the current your product will draw. An undersized cord will cause a drop in line voltage, resulting in loss of power and overheating. The table below shows the correct size to be used according to cord length and ampere rating. When in doubt, use a heavier cord. The smaller the gauge number, the heavier the cord.

AMPERAGE	REQUIRED GAUGE FOR EXTENSION CORDS			
	25 ft.	50 ft.	100 ft.	150 ft.
0.5A	18 gauge	16 gauge	16 gauge	14 gauge

**1. Examine extension cord before use.** Make sure your extension cord is properly wired and in good condition. Always replace a damaged extension cord or have it repaired by a qualified person before using it.

**2. Do not abuse extension cord.** Do not pull on cord to disconnect from receptacle; always disconnect by pulling on plug. Disconnect the extension cord from the receptacle before disconnecting the product from the extension cord. Protect your extension cords from sharp objects, excessive heat and damp/wet areas.

**3. Use a separate electrical circuit for your tool.** This circuit must not be less than a 12-gauge wire and should be protected with a 15A time-delayed fuse. Before connecting the motor to the power line, make sure the switch is in the OFF position and the electric current is rated the same as the current stamped on the motor nameplate. Running at a lower voltage will damage the motor.

# **BATTERY & CHARGER SAFETY WARNINGS**

## **ABOUT THE BATTERY**

1. The battery pack has to be charged completely before you use the tool for the first time.
2. For optimum battery performance, avoid low discharge cycles by charging the battery pack frequently.
3. Lithium-ion batteries are subject to a natural aging process. The battery pack must be replaced at the latest when its capacity falls to just 80% of its capacity when new. Weakened cells in an aged battery pack are no longer capable of meeting the high power requirements needed for the proper operation of your tool, and therefore pose a safety risk.
4. Do not throw battery packs into an open fire as this poses a risk of explosion. Do not ignite the battery pack or expose it to fire.
5. Do not exhaustively discharge batteries. Exhaustive discharge will damage the battery cells. The most common cause of exhaustive discharge is lengthy storage or non-use of partially discharged batteries. Stop working as soon as the performance of the battery falls noticeably or the electronic protection system triggers. Place the battery pack in storage only after it has been fully charged.
6. Protect batteries and the tool from overloads. Overloads will quickly result in overheating and cell damage inside the battery housing even if this overheating is not apparent externally.
7. Avoid damage and shocks. Immediately replace batteries that have been dropped from a height of more than one meter or those that have been exposed to violent shocks, even if the housing of the battery pack appears to be undamaged. The battery cells inside the battery may have suffered serious damage. In such instances, please read the waste disposal information for proper battery disposal.
8. If the battery pack suffers overloading and overheating, the integrated protective cutoff will switch off the equipment for safety reasons.
9. Use only original battery packs. The use of other batteries poses a fire risk and may result in injuries or an explosion.

## **ABOUT THE CHARGER**

Protect battery charger and cord from damage. Keep the charger and its cord away from heat, oil and sharp edges.

Electrical plugs must match the outlet. Never modify the plug in any way. Do not use any adapter plugs with grounded appliances. Unmodified plugs and matching outlets will reduce the risk of electric shock.

Keep the battery charger, battery pack(s), and the cordless tool out of the reach of children.

Do not use the supplied battery charger to charge other cordless tools.

During periods of heavy use, the battery pack will become warm. Allow the battery pack to cool to room temperature before inserting it into the charger to recharge.

Do not overcharge batteries. Do not exceed the maximum charging times. These charging times only apply to discharged batteries. Frequent insertion of a charged or partially charged battery pack will result in overcharging and cell damage. Do not leave battery in the charger for days on end.

Never use or charge a battery if you suspect that it has been more than 12 months since last time they were charged. There is a high probability that the battery pack has already suffered dangerous damage (exhaustive discharge).

Do not use batteries that have been exposed to heat during the charging process, as the battery cells may have suffered dangerous damage.

Do not use batteries that have suffered curvature or deformation during the charging process or those that exhibit other atypical symptoms (gassing, hissing, cracking, etc.)

# UNPACKING & PACKING LIST

## UNPACKING

Carefully remove the brad nailer from the packaging and place it on a sturdy, flat surface. Make sure to take out all contents and accessories. Do not discard the packaging until everything is removed. Check the packing list below to make sure you have all of the parts and accessories. If any part is missing or broken, please contact customer service at **1-847-429-9263** (M-F 8-5 CST), or email [techsupport@wenproducts.com](mailto:techsupport@wenproducts.com).

## PACKING LIST

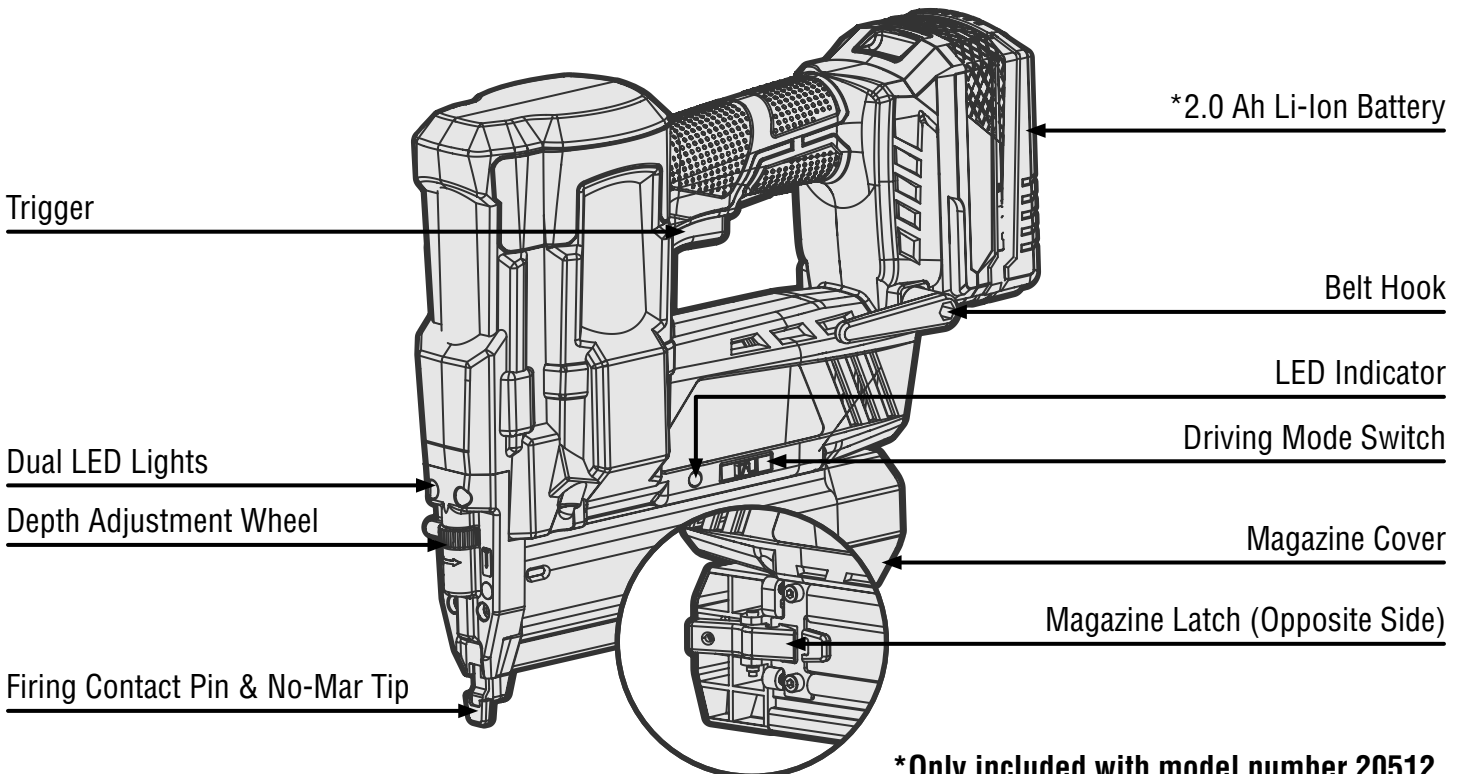
Description	Quantity
Brad Nailer	1
Hex Wrench	1
18-Gauge Brad Nails	400
Replacement No-Mar Tip	1
*20V 2.0Ah Battery	1
*20V, 2A Charger	1

**\*Only included with model number 20512.**

# KNOW YOUR BRAD NAILER


## TOOL PURPOSE

Install trim, build birdhouses, and more with the help of your handy-dandy newfangled WEN Brad Nailer. Refer to the following diagram to become familiarized with all the parts and controls of your tool. The components will be referred to later in the manual for assembly and operation instructions.



**\*Only included with model number 20512.**

## ASSEMBLY & ADJUSTMENTS

 **WARNING!** To avoid injury from accidental startups, make sure that the tool is OFF and the battery is removed when assembling the tool or when making any adjustments.

### CHARGING THE BATTERY PACK

The 20V battery pack for this tool is supplied in a low charge condition to prevent possible problems, and must be charged completely before you use the tool for the first time.

1. Connect charger to a 120V, 60Hz AC outlet. The green light on the charger will illuminate, indicating that the charger is powered.
2. Slide the battery all the way into the charger until it clicks. The red light on the charger will illuminate, indicating that the battery is charging.

#### Charging Indication:

- Solid Green: Ready to Charge
- Solid Red: Charging
- Solid Green: Charged

3. When the battery is charged, the red light will turn off and the green light will turn on. Remove the battery from the charger and unplug the charger from the power supply.

**NOTE:** Battery will not reach full charge the first time it is charged. Allow several cycles for the battery to fully charge. The battery pack may become warm while charging; this is normal. If the battery is hot after continuous use in the tool, allow it to cool to room temperature before charging. This will prolong the life of your battery. The battery pack is equipped with three LED battery life indication lights. Press and hold the power button on the rear of the battery to check the battery's charge status.

#### Battery Life Indication:

- Three Lights: The battery is fully charged.
- Two Lights: The battery is about 60% charged.
- One Light: The battery is almost out of power and needs to be charged.

### INSERTING AND REMOVING THE BATTERY

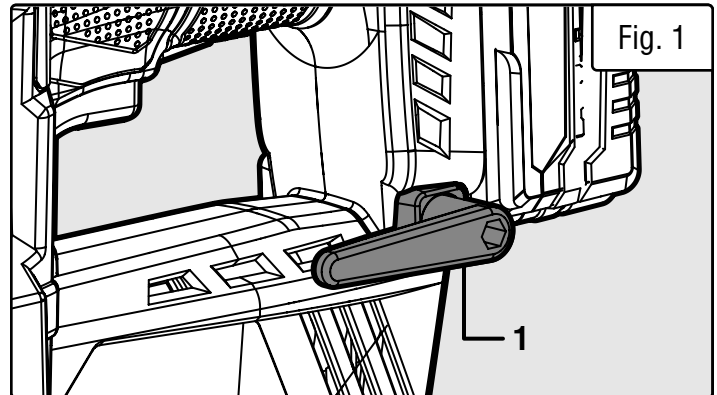
1. To install the battery, slide the battery pack into the battery port at the top of the band saw. Make sure the release latch on the rear side of the battery pack snaps into place and battery is secure before beginning operation.
2. To remove the battery pack, press the battery release latch on the front of the battery and pull the battery pack out.

## ASSEMBLY & ADJUSTMENTS

**⚠ WARNING!** To avoid injury from accidental startups, make sure that the tool is OFF and the battery is removed when assembling the tool or when making any adjustments.

### ADJUSTING THE BELT HOOK

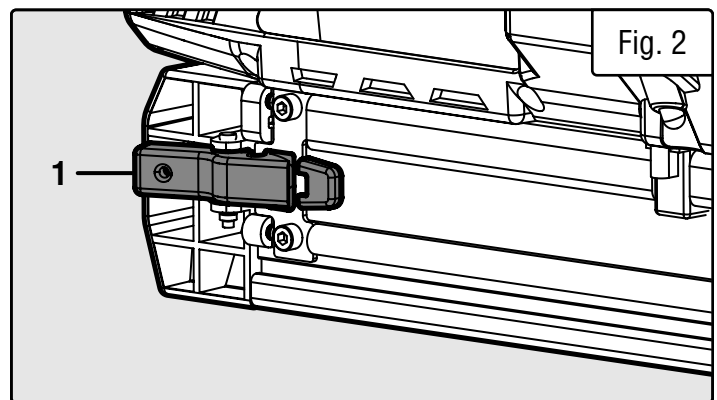
1. Using a screwdriver (not included), loosen the belt hook screw by turning it counterclockwise.
2. Rotate the belt hook (Fig. 1- 1) to your desired position.
3. Using a screwdriver (not included), tighten the belt hook screw by turning it clockwise. Make sure that the belt hook is secure before beginning operation.



**⚠ WARNING!** To avoid injury from accidental startups, make sure that the tool is OFF and the battery is removed from the nailer when loading fasteners.

**⚠ WARNING!** Only use fasteners that are recommended for the tool. Using fasteners that do not match the specifications of the tool can result in personal injury or damage to the tool.

**⚠ WARNING!** Hold the nailer with the magazine at your side. NEVER point the tip at yourself or others.

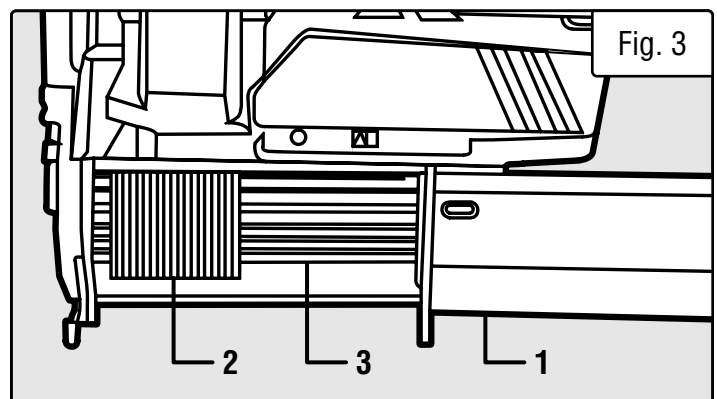


### LOADING & UNLOADING FASTENERS

1. Unlock the magazine latch (Fig. 2 - 1) and pull back on the magazine cover (Fig. 3 - 1).

**NOTE:** Your nailer is designed to work with 18-gauge brad nails 3/4" to 2" long. Up to 100 fasteners may be loaded in the magazine.

2. Place a clip of nails (Fig. 3 - 2) onto the magazine rail (Fig. 3 - 3), with the nail tips pointing downwards. Make sure the nail tips are against the bottom of the magazine.
3. Push the magazine cover forward until it clicks shut. Make sure it is locked in place and the magazine latch is secure before beginning operation.



**⚠ WARNING!** Always unload the fasteners once you've completed operation. The tool should not be loaded when it is not in use.

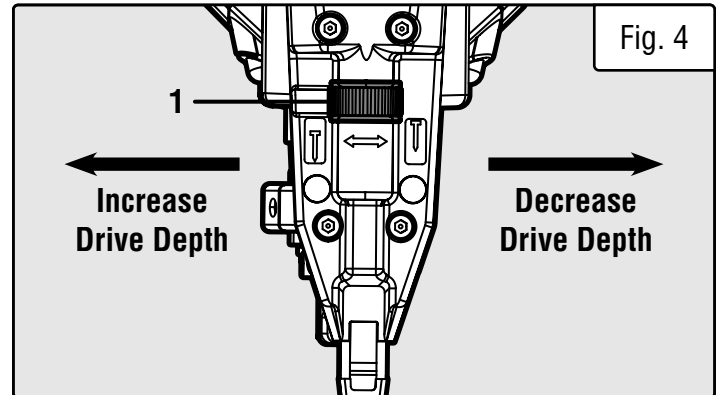
## ASSEMBLY & ADJUSTMENTS

**⚠ WARNING!** To avoid injury from accidental startups, make sure that the tool is OFF and the battery is removed when assembling the tool or when making any adjustments.

### ADJUSTING THE DEPTH OF DRIVE

To adjust the depth of drive of the nail, use the depth adjustment wheel (Fig. 4 - 1) on top of the tool's nose. Experiment on a piece of scrap wood to find the proper depth for your workpiece.

- **To increase the depth of drive:** Rotate the depth adjustment wheel to the LEFT.
- **To decrease the depth of drive:** Rotate the depth adjustment wheel to the RIGHT.

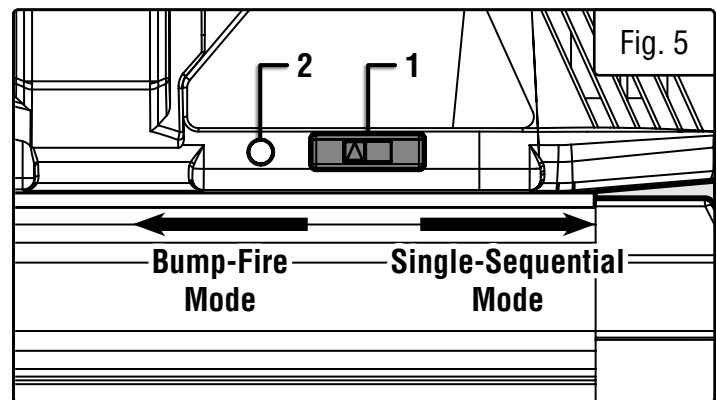


### SETTING THE DRIVING MODE

Your nailer has two driving modes: single-sequential and bump-fire. Single-sequential mode required the trigger to be pulled each time a nail is driven. Bump-fire mode allows the nailer to automatically fire if the trigger is depressed with the nose of the nailer pushed against the workpiece.

#### Single-Sequential:

1. Push the drive mode switch (Fig. 5 - 1) to the RIGHT to select single-sequential mode.
2. Press the firing contact pin against the workpiece.
3. Pull the trigger button. A fastener is fired.
4. Remove the firing contact pin from the workpiece. Re-position the tool. Repeat steps 2 - 4.



#### Bump-Fire

1. Push the drive mode switch (Fig. 5 - 1) to the LEFT to select bump-fire mode.
2. Pull the trigger button.
3. Press the firing contact pin against the workpiece. A fastener is fired.
4. Remove the firing contact pin from the workpiece. Re-position the tool. Repeat steps 2 - 4.

**⚠ WARNING!** Always be aware of which drive mode the nailer is in before beginning operation.

### LED INDICATOR

The LED indicator (Fig. 5 - 2) on the side of the nailer helps to indicate the status of the tool.

**LED Red Flashing** - Jammed. Clear any jammed fasteners. See page 13.

**LED Red Solid** - Low battery. Recharge the battery.

**LED Green Flashing** - Overheating. The nailer has overheated and needs to cool down before continuing operation.

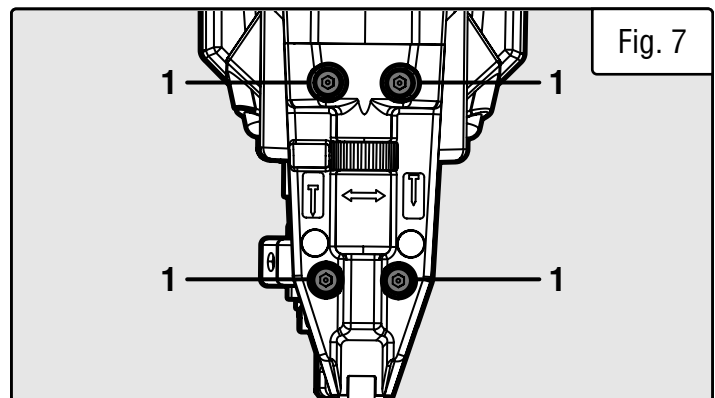
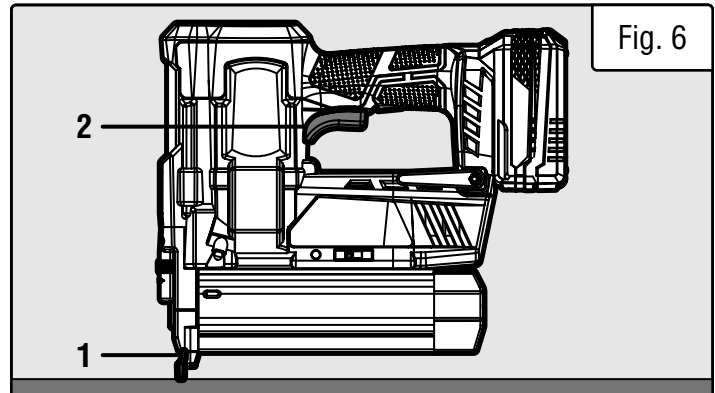
**LED Green Solid** - Empty magazine. Fasteners need to be loaded into the magazine before beginning operation, otherwise the nailer will dry fire, possibly causing damage to the tool.

## OPERATION

**⚠ WARNING!** Using this type of tool can be dangerous. To reduce the risk of injury, always wear proper eye and hearing protection when operating this tool. Stay alert and keep proper balance at all times.

### FIRING FASTENERS

1. Check that the fasteners have been loaded into the magazine and that the magazine is securely locked in place.
2. Attach the battery to the battery terminal on the nailer.
3. Test the driving depth on a scrap piece of wood. If the fasteners penetrate too deeply, decrease the firing depth. If the fasteners penetrate too shallowly, increase the firing depth.
4. Hold the nailer upright on the workpiece and position the no-mar tip (Fig. 6 - 1) where the fastener will be driven.
5. Carefully press down and pull the trigger (Fig. 6 - 2) to drive a fastener.
6. Release the trigger, lift the tool off the workpiece and reposition it where the next fastener will be driven. Repeat step 5 to drive another fastener.
7. After operation, turn the tool OFF and remove the battery. Remove all fasteners from the nailer. Store the nailer in a safe and secure location, out of reach from children.



### CLEARING JAMMED FASTENERS

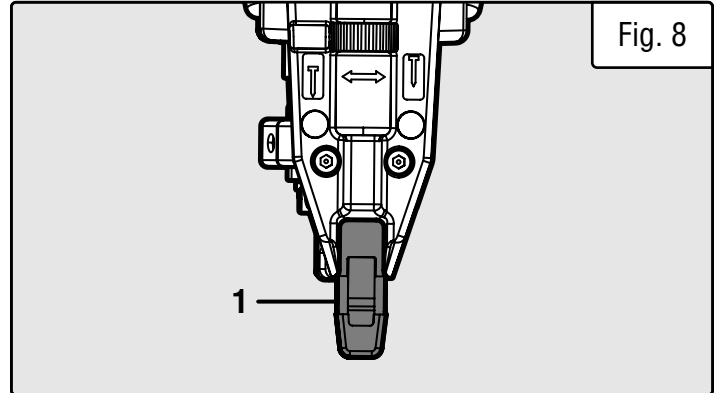
1. Make sure that the nailer is OFF and the battery is removed from the battery terminal before performing any maintenance.
2. Unlock the magazine latch and pull back on the magazine cover.
3. Remove all of the fasteners from the magazine.
4. Use the included hex wrench to loosen the four screws (Fig. 7 - 1) on the nose of the nailer and remove the nose cover.
5. Use a flat-head screwdriver (not included) to remove the jammed fastener. Push the drive blade back into place.
6. Reinstall the nose cover. Make sure the nose cover is secure before beginning operation.
7. Reload the clip of nails into the magazine. Push the magazine cover forward until it clicks shut. Make sure it is locked in place and the magazine latch is secure before beginning operation.
8. Test the nailer on a scrap piece of wood before returning to your workpiece.

## OPERATION

### THE FIRING CONTACT PIN & NO-MAR TIP

Routinely check the condition of the firing contact pin (Fig. 8 - 1) before each use. The firing contact pin must not be restricted in any way in order for the tool to operate properly. The spring must return the firing contact pin to its fully extended position after being depressed. DO NOT operate the tool if any part of the firing contact pin is not operational.

The no-mar tip is attached the nose of the nailer to prevent marring or possible denting when working with softer materials. One replacement no-mar tip has been included as an accessory. Replace the worn no-mar tip when necessary.



## MAINTENANCE

**⚠ WARNING!** To avoid injury from accidental startups, make sure that the tool is OFF and the battery is removed when performing any maintenance.

### CLEANING

Keep tools clean for better and safer performance. Wipe the tool clean with a damp towel and mild soap. Blow the tool clean using compressed air, then use non-flammable cleaning solutions to wipe exterior of the tool as necessary. Do not soak tool with cleaning solutions. Such solutions can damage internal parts.

### INSPECTION

1. Inspect trigger and safety mechanism to assure system is complete and functional (no loose or missing parts, no binding or sticking parts). Do not operate if any portion of the tool, trigger, or nose is damaged, inoperable, disconnected, or altered. Damaged or missing parts should be repaired or replaced before use.

2. Keep all screws tight. Loose screws can cause personal injury or damage the tool.

### STORAGE

Store the unit and accessories in a dark, dry, frost-free and well ventilated place, out of the reach of children. The ideal storage temperature is between 50 to 86 °F (10 and 30 °C).

## TROUBLESHOOTING GUIDE

**⚠ WARNING!** Stop using the tool immediately if any of the following problems occur. Repairs and replacements should only be performed by an authorized technician. For any questions, please contact our customer service at **1-847-429-9263**, M-F 8-5 CST or email us at [techsupport@wenproducts.com](mailto:techsupport@wenproducts.com).

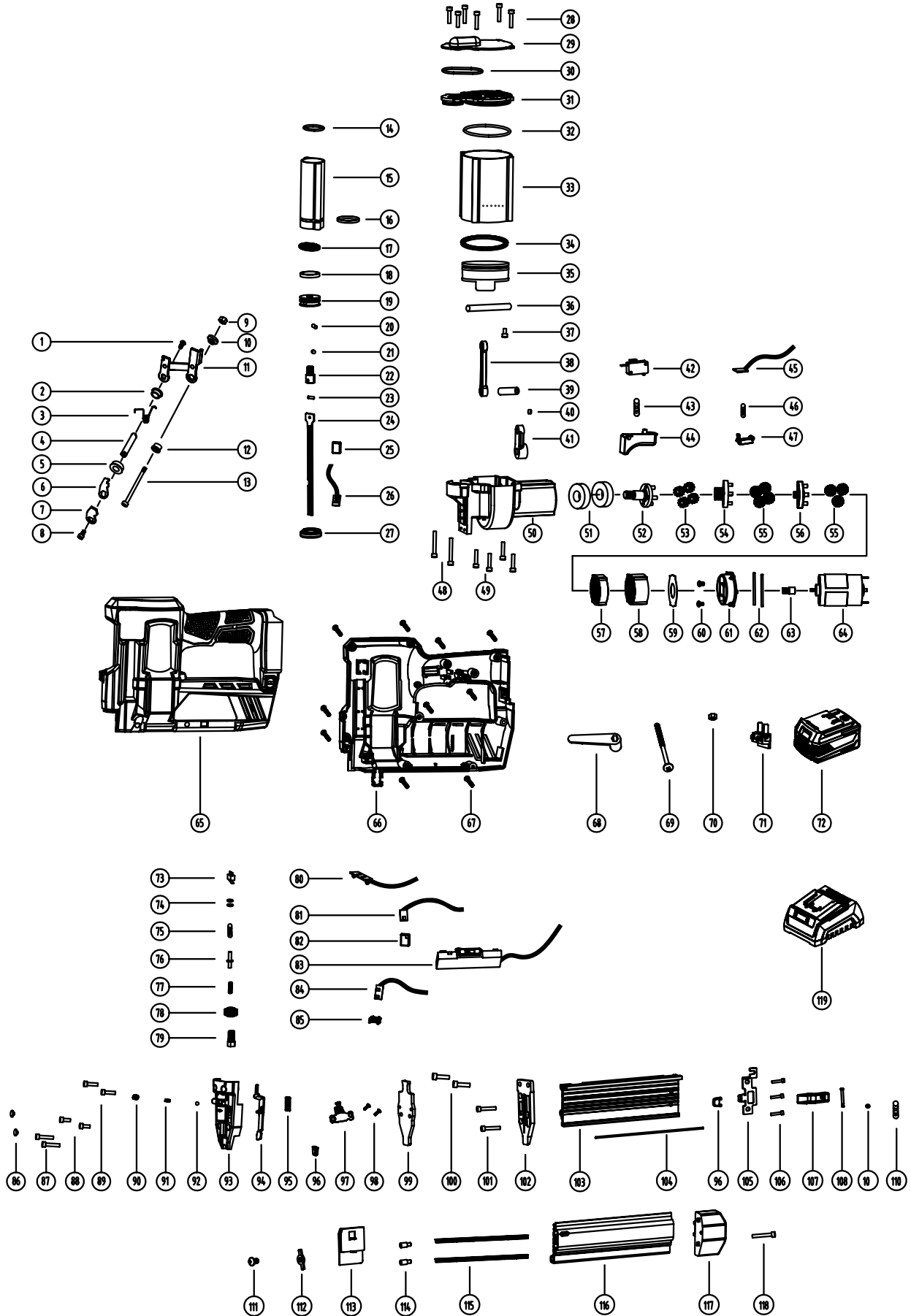
PROBLEM	CAUSE	SOLUTION
<b>The tool doesn't turn ON. (LED does not turn ON)</b>	1. The battery is low or not charged.	1. Charge the battery.
	2. The battery is damaged.	2. Replace the battery (model 20202).
	3. The firing contact pin is locked in position.	3. Unlock the firing contact pin.
	4. The battery terminal is dirty.	4. Clean the battery terminal.
	5. Damaged internal parts.	5. Contact customer service at <b>1-847-429-9263</b> .
<b>The tool is ON but doesn't start. (LED light is ON)</b>	1. The firing contact pin is not depressed.	1. Check the driving mode. If the tool is set to single-sequential mode, release the trigger and firing contact pin. Try refiring the nailer.
	2. The firing contact pin is jammed.	2. Unlock the firing contact pin.
	3. Damaged internal parts.	3. Contact customer service at <b>1-847-429-9263</b> .
<b>The tool is ON but doesn't start. (LED light is RED)</b>	1. The battery charge is low.	1. Charge the battery.
	2. The battery has overheated.	2. Let the nailer cool down.
<b>The tool operates, but no fastener is driven.</b>	1. A fastener is jammed in the tool.	1. Refer to section "Clearing Jammed Fasteners" on page 12.
	2. There are no nails in the magazine.	2. Load more fasteners into the magazine.
	3. Incorrect fastener has been loaded.	3. Load fasteners with the correct specifications for this tool.
	4. Debris in the nose piece.	4. Clean the nose piece with pneumatic air tool oil and a clean cloth.
	5. Debris in the magazine.	5. Clean the magazine with pneumatic air tool oil and a clean cloth.
	6. Worn magazine or drive blade.	6. Contact customer service at <b>1-847-429-9263</b> .
<b>The tool operates, but does not drive the fastener fully.</b>	1. The battery has low charge or is damaged.	1. Charge or replace the battery.
	2. The depth adjustment wheel is set too shallow.	2. Deepen the drive depth by adjusting the depth adjustment wheel.
	3. The tool is not pressed firmly against the workpiece.	3. Press down more firmly on the workpiece.
	4. The material and fastener length is too tough on the tool.	4. Choose a more appropriate material and fastener for your application.

## **TROUBLESHOOTING GUIDE**

**⚠ WARNING!** Stop using the tool immediately if any of the following problems occur. Repairs and replacements should only be performed by an authorized technician. For any questions, please contact our customer service at **1-847-429-9263**, M-F 8-5 CST or email us at [techsupport@wenproducts.com](mailto:techsupport@wenproducts.com).

<b>PROBLEM</b>	<b>CAUSE</b>	<b>SOLUTION</b>
<b>Jammed fastener.</b>	1. Incorrect fastener has been loaded.	1. Load fasteners with the correct specifications for this tool.
	2. Low battery charge or damaged battery.	2. Charge or replace the battery.
	3. Debris in the nose piece.	3. Clean the nose piece with pneumatic air tool oil and a clean cloth.
	4. Debris in the magazine.	4. Clean the magazine with pneumatic air tool oil and a clean cloth.
	5. Worn magazine.	5. Contact customer service at <b>1-847-429-9263</b> .
	6. Worn or damaged pusher spring.	6. Contact customer service at <b>1-847-429-9263</b> .

# EXPLODED VIEW & PARTS LIST



## **EXPLODED VIEW & PARTS LIST**

No.	Part No.	Description	Qty.
1	20512-001	Bolt	1
2	20512-002	Copper Spacer A	1
3	20512-003	Torsion Spring	1
4	20512-004	Revolving Shaft	1
5	20512-005	Copper Spacer B	1
6	20512-006	End Link	1
7	20512-007	Press Plate	1
8	20512-008	Bolt	1
9	20512-009	Self-locking nut	1
10	20512-010	Copper Spacer C	1
11	20512-011	Pendulum Bar	1
12	20512-012	Washer	1
13	20512-013	Bolt	1
14	20512-014	Seal	1
15	20512-015	Drive Cylinder	1
16	20512-016	O-ring	1
17	20512-017	Seal	1
18	20512-018	Drive Piston Seal	1
19	20512-019	Drive Piston	1
20	20512-020	Pin	1
21	20512-021	Magnet	1
22	20512-022	Drive Link	1
23	20512-023	Pin	1
24	20512-024	Drive Shaft	1
25	20512-025	Temperature Sensor Cover	1
26	20512-026	Temperature Sensor	1
27	20512-027	Drive Bumper	1
28	20512-028	Bolt	6
29	20512-029	Pressure Cylinder Cover	1
30	20512-030	Cylinder Cover Seal	1
31	20512-031	Cylinder Inner Cover	1
32	20512-032	Seal	1
33	20512-033	Pressure Cylinder	1
34	20512-034	Seal	1
35	20512-035	Pressure Piston	1
36	20512-036	Horizontal Piston Rod	1
37	20512-037	Bolt	1

No.	Part No.	Description	Qty.
38	20512-038	Pressure Piston Shaft	1
39	20512-039	Pin	1
40	20512-040	Pivoted Axle Magnet	1
41	20512-041	Pivoted Axle	1
42	20512-042	Trigger Switch	1
43	20512-043	Spring	1
44	20512-044	Trigger	1
45	20512-045	LED Switch	1
46	20512-046	Spring	1
47	20512-047	LED Trigger	1
48	20512-048	Bolt	2
49	20512-049	Bolt	4
50	20512-050	Pressure Piston Support	1
51	20512-051	Bearing	2
52	20512-052	Connecting Rod	1
53	20512-053	Gear A	4
54	20512-054	Gear Tray A	1
55	20512-055	Gear B	7
56	20512-056	Gear Tray B	1
57	20512-057	Inner Gear A	1
58	20512-058	Inner Gear B	1
59	20512-059	Spacer	1
60	20512-060	Bolt	2
61	20512-061	Motor Cover	1
62	20512-062	Pin	2
63	20512-063	Axis Shaft	1
64	20512-064	Motor	1
65	20512-065	Left Housing	1
66	20512-066	Right Housing	1
67	20512-067	Housing Screws	10
68	20512-068	Belt Hook	1
69	20512-069	Bolt	1
70	20512-070	Nut	1
71	20512-071	Terminal Connector	1
72	20512-072	Battery	1
73	20512-073	Dryfire Safety Switch	1
74	20512-074	Spacer	2

## **EXPLODED VIEW & PARTS LIST**

No.	Part No.	Description	Qty.
75	20512-075	Spring	1
76	20512-076	Switch Shaft	1
77	20512-077	Spring	1
78	20512-078	Depth Adjustment Wheel	1
79	20512-079	Screw	1
80	20512-080	LED Lighting	1
81	20512-081	Magazine Sensor	1
82	20512-082	Magazine Sensor Housing	1
83	20512-083	Controller	1
84	20512-084	Mode Selector Switch	1
85	20512-085	Mode Selector	1
86	20512-086	Cap	2
87	20512-087	Bolt	2
88	20512-088	Bolt	2
89	20512-089	Bolt	2
90	20512-090	Bolt	1
91	20512-091	Spring	1
92	20512-092	Steel ball	1
93	20512-093	Drive Housing	1
94	20512-094	Safety Switch Linkage	1
95	20512-095	Spring	1
96	20512-096	Impact Nub	2
97	20512-097	Pressure Adjustment Plate	1

No.	Part No.	Description	Qty.
98	20512-098	Bolt	2
99	20512-099	Drive Head	1
100	20512-100	Bolt	2
101	20512-101	Bolt	2
102	20512-102	Drive Plate	1
103	20512-103	Magazine	1
104	20512-104	Iron Wire	1
105	20512-105	Support	1
106	20512-106	Bolt	3
107	20512-107	Lock Lever	1
108	20512-108	Pin	1
109	20512-109	Rubber	1
110	20512-110	Spring	1
111	20512-111	Bolt	1
112	20512-112	Baffle	1
113	20512-113	Nail Feeder	1
114	20512-114	Window Plastic Piece	2
115	20512-115	Spring	2
116	20512-116	Magazine Cover	1
117	20512-117	Magazine End Cover	1
118	20512-118	Bolt	1
119	20512-119	Charger	1
120	20512-120	Hex Wrench	1

**NOTE:** Not all parts may be available for purchase. Parts and accessories that wear down over the course of normal use are not covered under the warranty.

**NOTE:** \*Only included with model number 20512.

# **WARRANTY STATEMENT**

WEN Products is committed to building tools that are dependable for years. Our warranties are consistent with this commitment and our dedication to quality.

## **LIMITED WARRANTY OF WEN PRODUCTS FOR HOME USE**

GREAT LAKES TECHNOLOGIES, LLC (“Seller”) warrants to the original purchaser only, that all WEN consumer power tools will be free from defects in material or workmanship during personal use for a period of two (2) years from date of purchase or 500 hours of use; whichever comes first. Ninety days for all WEN products if the tool is used for professional or commercial use. Purchaser has 30 days from the date of purchase to report missing or damaged parts.

SELLER’S SOLE OBLIGATION AND YOUR EXCLUSIVE REMEDY under this Limited Warranty and, to the extent permitted by law, any warranty or condition implied by law, shall be the replacement of parts, without charge, which are defective in material or workmanship and which have not been subjected to misuse, alteration, careless handling, misrepair, abuse, neglect, normal wear and tear, improper maintenance, or other conditions adversely affecting the Product or the component of the Product, whether by accident or intentionally, by persons other than Seller. To make a claim under this Limited Warranty, you must make sure to keep a copy of your proof of purchase that clearly defines the Date of Purchase (month and year) and the Place of Purchase. Place of Purchase must be a direct vendor of Great Lakes Technologies, LLC. Purchasing through third party vendors, including but not limited to garage sales, pawn shops, resale shops, or any other secondhand merchant, voids the warranty included with this product. Contact [techsupport@wenproducts.com](mailto:techsupport@wenproducts.com) or 1-847-429-9263 with the following information to make arrangements: your shipping address, phone number, serial number, required part numbers, and proof of purchase. Damaged or defective parts and products may need to be sent to WEN before the replacements can be shipped out.

Upon the confirmation of a WEN representative, your product may qualify for repairs and service work. When returning a product for warranty service, the shipping charges must be prepaid by the purchaser. The product must be shipped in its original container (or an equivalent), properly packed to withstand the hazards of shipment. The product must be fully insured with a copy of the proof of purchase enclosed. There must also be a description of the problem in order to help our repairs department diagnose and fix the issue. Repairs will be made and the product will be returned and shipped back to the purchaser at no charge for addresses within the contiguous United States.

THIS LIMITED WARRANTY DOES NOT APPLY TO ITEMS THAT WEAR OUT FROM REGULAR USAGE OVER TIME, INCLUDING BELTS, BRUSHES, BLADES, BATTERIES, ETC. ANY IMPLIED WARRANTIES SHALL BE LIMITED IN DURATION TO TWO (2) YEARS FROM DATE OF PURCHASE. SOME STATES IN THE U.S. AND SOME CANADIAN PROVINCES DO NOT ALLOW LIMITATIONS ON HOW LONG AN IMPLIED WARRANTY LASTS, SO THE ABOVE LIMITATION MAY NOT APPLY TO YOU.

IN NO EVENT SHALL SELLER BE LIABLE FOR ANY INCIDENTAL OR CONSEQUENTIAL DAMAGES (INCLUDING BUT NOT LIMITED TO LIABILITY FOR LOSS OF PROFITS) ARISING FROM THE SALE OR USE OF THIS PRODUCT. SOME STATES IN THE U.S. AND SOME CANADIAN PROVINCES DO NOT ALLOW THE EXCLUSION OR LIMITATION OF INCIDENTAL OR CONSEQUENTIAL DAMAGES, SO THE ABOVE LIMITATION OR EXCLUSION MAY NOT APPLY TO YOU.

THIS LIMITED WARRANTY GIVES YOU SPECIFIC LEGAL RIGHTS, AND YOU MAY ALSO HAVE OTHER RIGHTS WHICH VARY FROM STATE TO STATE IN THE U.S., PROVINCE TO PROVINCE IN CANADA AND FROM COUNTRY TO COUNTRY.

THIS LIMITED WARRANTY APPLIES ONLY TO ITEMS SOLD WITHIN THE UNITED STATES OF AMERICA, CANADA AND THE COMMONWEALTH OF PUERTO RICO. FOR WARRANTY COVERAGE WITHIN OTHER COUNTRIES, CONTACT THE WEN CUSTOMER SUPPORT LINE. FOR WARRANTY PARTS OR PRODUCTS REPAIRED UNDER WARRANTY SHIPPING TO ADDRESSES OUTSIDE OF THE CONTIGUOUS UNITED STATES, ADDITIONAL SHIPPING CHARGES MAY APPLY.