

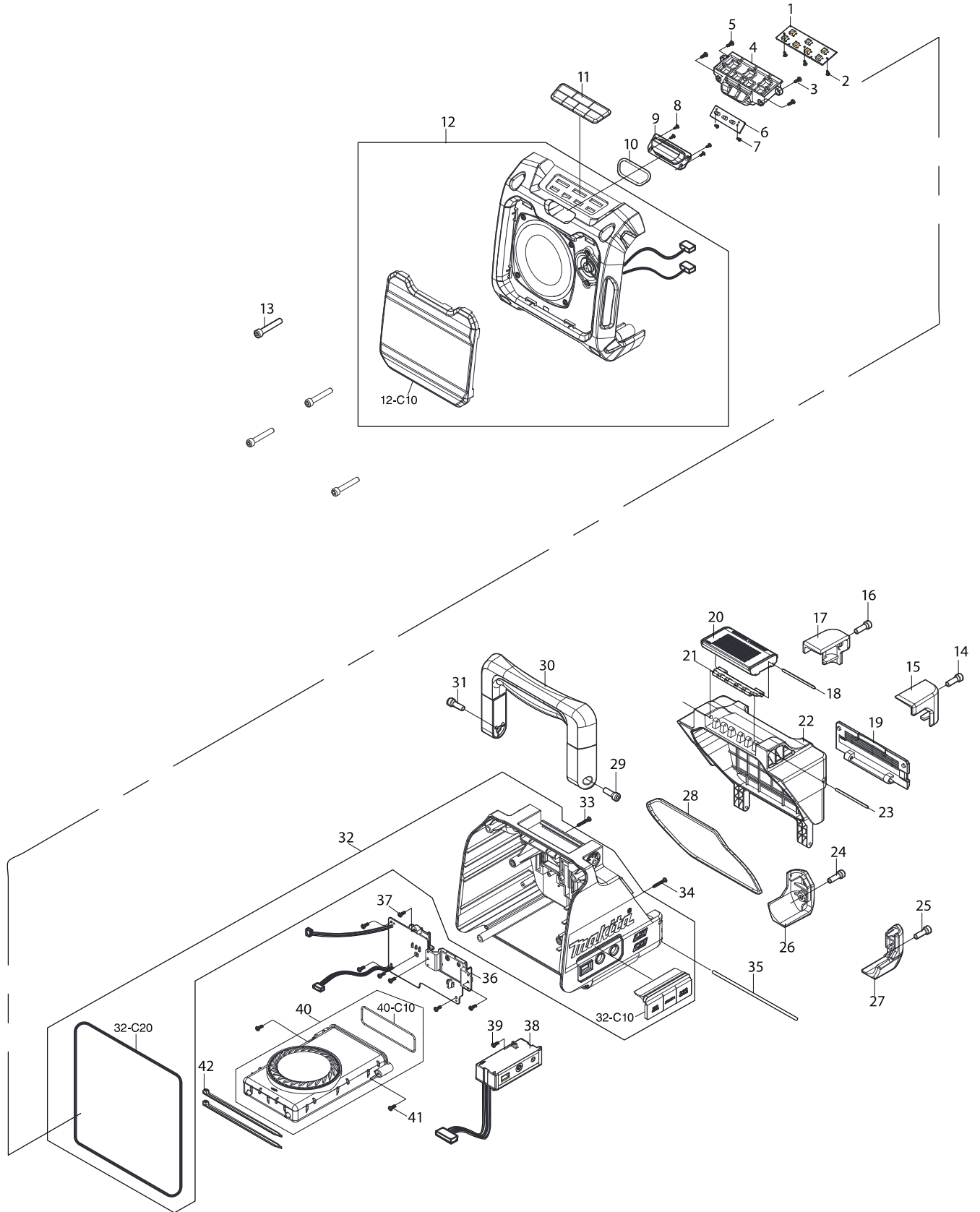
Model XSH04RB/ZB Parts List

A = Standard Equipment

O = Circuit Diagram

Item#	Part#	Description	Q'ty	Unit
001	458591-9	FRONT GRIP	1	
002	265995-6	TAPPING SCREW 4X18	1	PC.
006	265995-6	TAPPING SCREW 4X18	7	PC.
007	854N74-5	XSH04 NAME PLATE	1	
008	144251-6	INDICATION PLATE COMPLETE	1	PC.
009	140C50-2	MOTOR HOUSING COMPLETE	1	
	C10 263005-3	RUBBER PIN 6	2	PC.
	C20 817J81-5	CAUTION LABEL	1	
010	911263-2	PAN HEAD SCREW M5X40	3	PC.
011	419704-7	LOCK OFF BUTTON	1	PC.
012	651083-9	SWITCH C3XA-1PSPM	1	
013	231433-0	COMPRESSION SPRING 4	2	PC.
015	458594-3	SWITCH LEVER	1	
016	632L80-6	SWITCH UNIT	1	PC.
019	644809-6	TERMINAL	1	PC.
020	854N79-5	XSH04 SERIAL NO. LABEL	1	
021	629362-3	STATOR	1	
022	251517-8	TAPPING SCREW 4X40	2	PC.
023	620936-3	LED CIRCUIT	1	
024	620935-5	CONTROLLER	1	
025	458585-4	HANDLE COVER	1	
026	458586-2	BAFFLE PLATE	1	
027	458593-5	COVER	1	
028	519527-4	ROTOR ASS'Y	1	
	D10	INC. 29-31		
029	211012-0	BALL BEARING 606ZZ	1	PC.
030	240045-8	FAN 55	1	PC.
031	210059-1	BALL BEARING 6000DDW	1	PC.
032	233117-6	COMPRESSION SPRING 6	1	PC.
033	347400-6	SHAFT LOCK	1	
034	911223-4	PAN HEAD SCREW M5X16	1	PC.
035	458589-6	DUCT	1	
036	140D07-9	BLADE CASE COMPLETE	1	
	C10 213821-3	O-RING 26	1	PC.
037	262511-5	RUBBER SLEEVE 6	1	PC.
038	265115-2	+ PAN HEAD SCREW M5	1	PC.
039	211012-0	BALL BEARING 606ZZ	1	PC.
040	961052-5	RETAINING RING S-12	1	PC.
041	226192-9	HELICAL GEAR 49	1	
042	257173-2	RING 12	1	PC.
043	213512-6	O RING 39	1	PC.
044	135993-3	BEARING BOX ASSEMBLY	1	
	D10	INC. 43		
045	265034-2	+ COUNTERSUNK HEAD SCREW M5X16	2	PC.
046	211131-2	BALL BEARING 6001DDW	1	PC.
047	285843-3	BEARING RETAINER 19-29	1	PC.
048	327244-0	SPINDLE	1	
049	345469-4	THICKNESS RING	1	PC.
050	231832-6	TENSION SPRING 3	1	PC.

051	458587-0	SAFETY COVER	1	
052	961152-1	RETAINING RING (EXT) S-34	1 PC.	
053	224411-7	INNER FLANGE 35	1 PC.	
054	224409-4	OUTER FLANGE 35	1 PC.	
055	266925-0	HEX.SOCKET HEX.BOLT M6X18	1	
056	286036-5	CAP	1	
057	347399-5	LEVER PLATE	1	
058	257982-9	BOW STOP RING E-8	1 PC.	
059	264096-7	HEX. NUT M6	1	
060	267118-2	FLAT WASHER 6	1 PC.	
061	266737-1	FLAT HEAD SQ. NECK BOLT M6X20	1 PC.	
062	252631-3	SCREW M6	1 PC.	
063	942151-2	SPRING WASHER 6	1 PC.	
064	941151-9	FLAT WASHER 6	1 PC.	
065	161898-1	DEPTH GUIDE COMPLETE	1	
066	265939-6	FLAT HEAD SQ. NECK BOLT M6X14	1 PC.	
067	347401-4	REAR GUIDE PLATE	1	
068	265648-7	PAN HEAD SCREW M4X8	2	
069	252103-8	HEX. LOCK NUT M5-8	1 PC.	
070	345590-9	ANGULAR GUIDE	1 PC.	
071	256480-0	SHOULDER PIN 6-7	1 PC.	
072	318823-5	STOPPER	1 PC.	
073	213977-2	O RING 7	1 PC.	
074	266734-7	+ TRUSS HEAD SCREW M5	1 PC.	
075	251896-4	SCREW M5X20	1 PC.	
076	231007-7	COMPRESSION SPRING 6	1 PC.	
077	319715-1	ANGULAR PLATE	1	
078	941151-9	FLAT WASHER 6	1 PC.	
079	266735-5	HEX.BOLT M6X20	1 PC.	
080	271446-9	LEVER 45	1	
081	257982-9	BOW STOP RING E-8	1 PC.	
082	347397-9	BASE	1	
083	265085-5	+ COUNTERSUNK HEAD SCREW M4X8	2 PC.	
084	912212-2	COUNTERSUNK HEAD SCREW M5X12	4 PC.	
085	266436-5	H.S.SET SCREW(FLAT POINT)M5X8	3	
A01	783203-8	HEX. WRENCH 5	1 PC.	
A02	A-85092	T.C.T.SAW BLADE 165X24TX15.88	1 PC.	
A04	199230-9	DUST NOZZLE SET	1	
C10	911233-1	PAN HEAD SCREW M5X20	1 PC.	
A09	450128-8	BATTERY COVER	1 PC.	(XSH04RB)
A10	***DC18RC	DC18RC FAST CHARGER	1 PC.	(XSH04RB)
D10		COMPO-PARTS		
A11	197257-3	BATTERY BL1820B SET	2	(XSH04RB)
A12	831303-9	TOOL BAG	1	(XSH04RB)

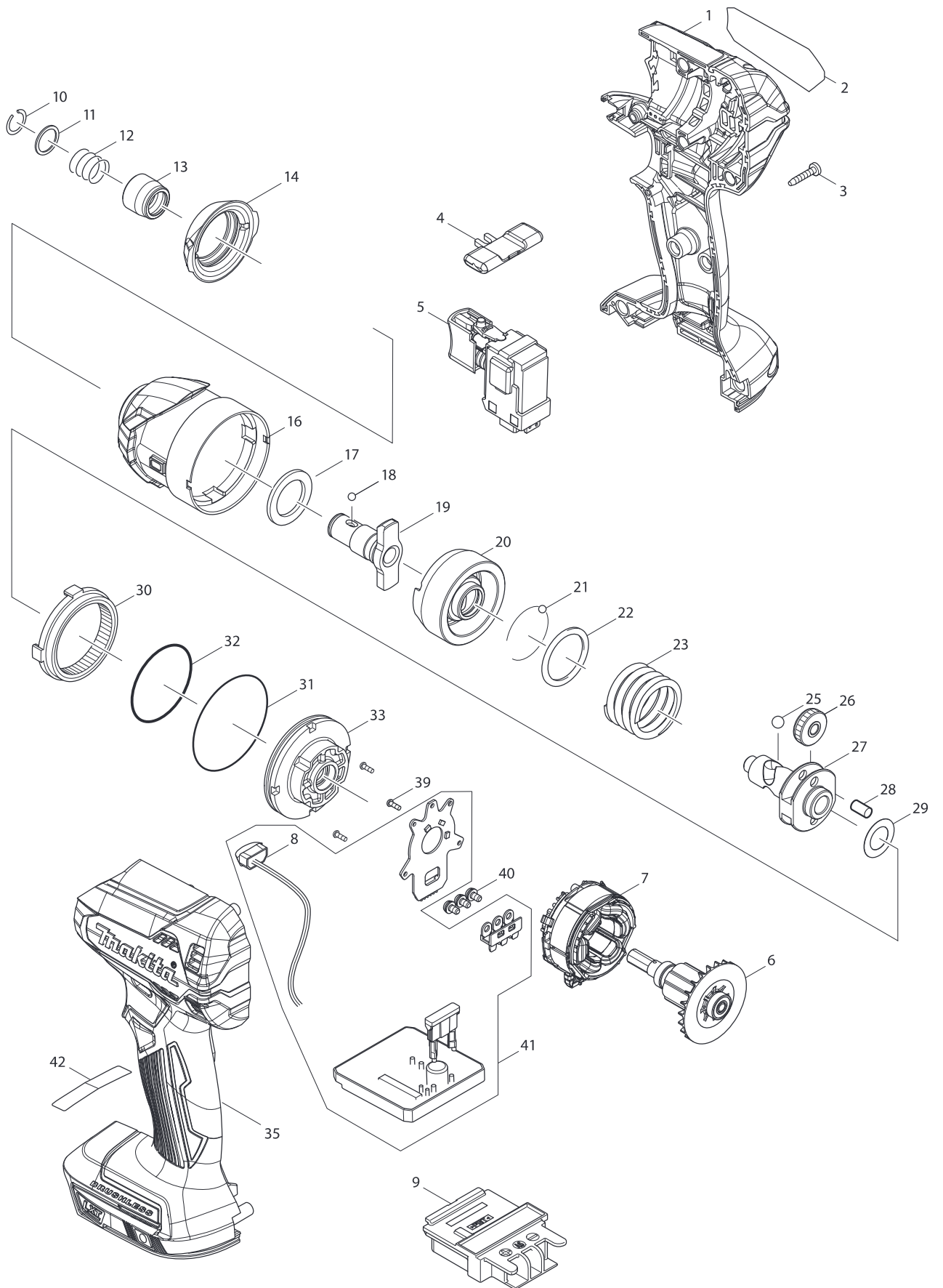


Model XRM08B Parts List

A = Standard Equipment

○ = Circuit Diagram

Item#	Part#	Description	Q'ty Unit
001	SE00000519	PCB B ASS'Y(KEY BOARD) 07BB3A1	1 PC.
002	SE00000520	SCREW PTPW 2X6(NI) 29S15106002	3 PC.
003	SE00000521	SCREW PTB 3X8(ZK) 29S16308001	2 PC.
004	SE00000522	RUBBER KEY HOLDER 2000B300100	1 PC.
005	SE00000521	SCREW PTB 3X8(ZK) 29S16308001	2 PC.
006	SE00000523	PCB A LED ASS'Y 09DB3A1	1 PC.
007	SE00000520	SCREW PTPW 2X6(NI) 29S15106002	2 PC.
008	SE00000520	SCREW PTPW 2X6(NI) 29S15106002	4 PC.
009	SE00000524	LED LENS 3290B30000010	1 PC.
010	SE00000525	LED LENS PACKING 2400B300500	1 PC.
011	SE00000526	RUBBERE KEY 3100B30000010	1 PC.
012	SE00000622	FRONT CABINET ASS'Y-BLK	1 PC.
C10	SE00000609	SPEAKER GRILL(M.GRAY)	1 PC.
013	SE00000530	SCREW PTHE 6X37(CR) 29S1793701	4 PC.
014	SE09176166	HEX SCREW M6X16	1 PC.
015	SE00000531	BATTERY BUMPER R 3163B30000010	1 PC.
016	SE09176166	HEX SCREW M6X16	1 PC.
017	SE00000532	BATTERY BUMPER L 3162B30000010	1 PC.
018	SE00000533	PIN D2X88 2100B300100	1 PC.
019	SE00000534	PHONE COVER ASS'Y 011B3A5	1 PC.
020	SE00000560	LOCKER COVER 3121B30000020	1 PC.
021	SE00000561	LOCKER HINGE 3300B30000020	1 PC.
022	SE00000538	BATTERY COVER (BLK)3120B300020	1 PC.
023	SE00000539	PIN D2X77 2100B300200	1 PC.
024	SE09176166	HEX SCREW M6X16	1 PC.
025	SE09176166	HEX SCREW M6X16	1 PC.
026	SE00000540	REAR BUMPER L 3160B30000010	1 PC.
027	SE00000541	REAR BUMPER R 3161B30000010	1 PC.
028	SE00000542	BATTERY PACKING 2400B300200	1 PC.
029	SE09176166	HEX SCREW M6X16	1 PC.
030	SE00000544	HANDLE ASS'Y-BLK 01HB3A2	1 PC.
031	SE09176166	HEX SCREW M6X16	1 PC.
032	SE00000546	REAR ASS'Y BLK 01RB3A2	1 PC.
C10	SE00000547	JACK RUBBER COVER 3126B3000001	1 PC.
C20	SE024PC040	PACKING	1 PC.
033	SE00000548	SCREW PTB 3X20(ZK) 29S09990047	1 PC.
034	SE00000548	SCREW PTB 3X20(ZK) 29S09990047	1 PC.
035	SE00000549	BATTERY COVER FIXER PIN 2100b3	1 PC.
036	SE00000593	PCB A ASS'Y XRM08	1 PC.
037	SE00000521	SCREW PTB 3X8(ZK) 29S16308001	7 PC.
038	SE00000554	JACK HOLDER ASS'Y-BLK 011B3A7	1 PC.
039	SE00000521	SCREW PTB 3X8(ZK) 29S16308001	1 PC.
040	SE00000555	MOBILE-PHONE-CASE ASS'Y 011B3A	1 PC.
C10	SE00000556	PHONE CASE PACKING 2400B300400	1 PC.
041	SE00000557	SCREW PTPW 3X10(ZK) 29S1531000	2 PC.
042	SE00000195	W/TIES 100MM	2 PC.
A01	SE00000499	AC ADAPTER (UL) 3A8A12CC13B11	1 PC.



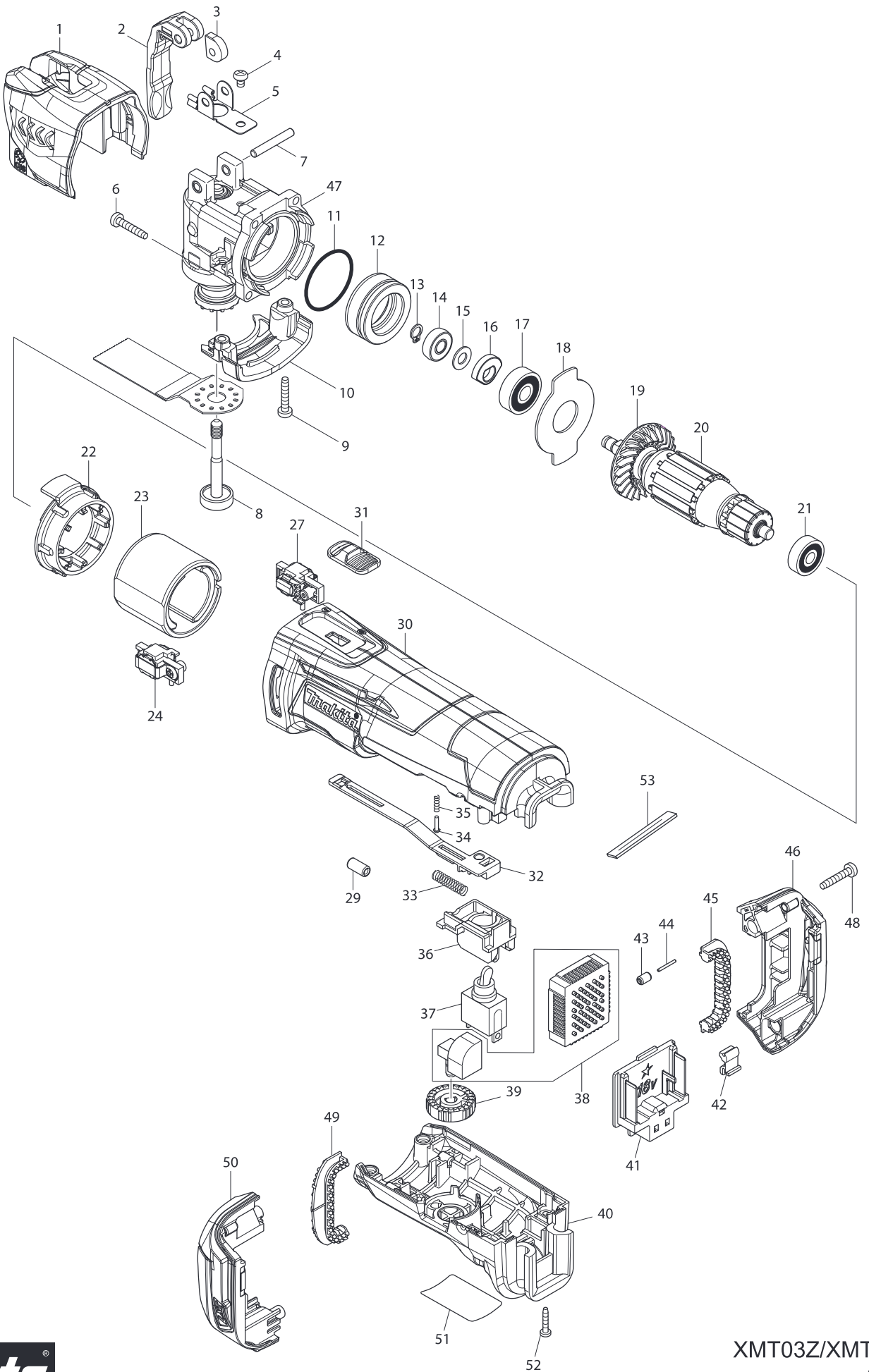
Model XDT13M/R/Z Parts List

A = Standard Equipment

O = Circuit Diagram

Item#	Part#	Description	Q'ty	Unit
001	183E34-9	HOUSING SET	1	
	C10 263005-3	RUBBER PIN 6	2	PC.
	C20 252126-6	HEX. LOCKING NUT M4-7	2	PC.
	D10	INC. 35		
002	852K78-3	XDT13 NAME PLATE	1	
003	266429-2	TAPPING SCREW 3X16	9	PC.
004	455053-8	F/R CHANGE LEVER	1	PC.
005	143975-1	SWITCH COMPLETE	1	
006	619404-1	ROTOR	1	
007	629224-5	STATOR	1	
008	620557-1	LED CIRCUIT	1	
009	643860-3	TERMINAL	1	PC.
010	231951-8	RING SPRING 11	1	PC.
011	267085-1	FLAT WASHER 12	1	PC.
012	233005-7	COMPRESSION SPRING 13	1	PC.
013	326068-1	BIT SLEEVE	1	PC.
014	424888-8	BUMPER	1	
016	143957-3	HAMMER CASE COMPLETE	1	
017	261151-6	NYLON WASHER 19	1	PC.
018	216040-0	STEEL BALL 3.5	2	PC.
019	326563-1	ANVIL M	1	
020	326564-9	HAMMER	1	
021	216040-0	STEEL BALL 3.5	24	PC.
022	267175-0	FLAT WASHER 24	1	PC.
023	234251-5	COMPRESSION SPRING 25	1	PC.
025	216041-8	STEEL BALL 5.6	2	
026	227362-3	SPUR GEAR 22	2	PC.
027	326562-3	SPINDLE	1	
028	256253-1	PIN 5	2	PC.
029	253314-8	THIN WASHER 15	1	PC.
030	227378-8	INTERNAL GEAR 51	1	
031	213606-7	O RING 48	1	PC.
032	213507-9	O RING 40	1	PC.
033	143958-1	BEARING BOX COMPLETE	1	
035	183E34-9	HOUSING SET	1	
	C10 263005-3	RUBBER PIN 6	2	PC.
	C20 252126-6	HEX. LOCKING NUT M4-7	2	PC.
	D10	INC. 1		
039	266490-9	TAPPING SCREW PT 2X6	3	PC.
040	652069-6	FLAT HEAD SCREW M3X6	3	PC.
041	620556-3	CONTROLLER	1	
	D10	INC. 8		
042	809R90-6	CAUTION LABEL	1	
A01	266622-8	+ TRUSS HEAD SCREW M4X12	1	PC.
A02	346449-3	HOOK	1	PC.
A03	450128-8	BATTERY COVER	1	PC. (XDT13M/R)
A04	***DC18RC	DC18RC FAST CHARGER	1	PC. (XDT13M/R)
	D10	COMPO-PARTS		
A05	BL1840B	BATTERY BL1840B SET	2	(XDT13M)

	BL1820B	BATTERY BL1820B SET	2	(XDT13R)
A06	141856-3	PLASTIC CARRYING CASE COMPLETE	1	PC. (XDT13M/R)
C10	162302-3	LATCH	2	PC. (XDT13M/R)



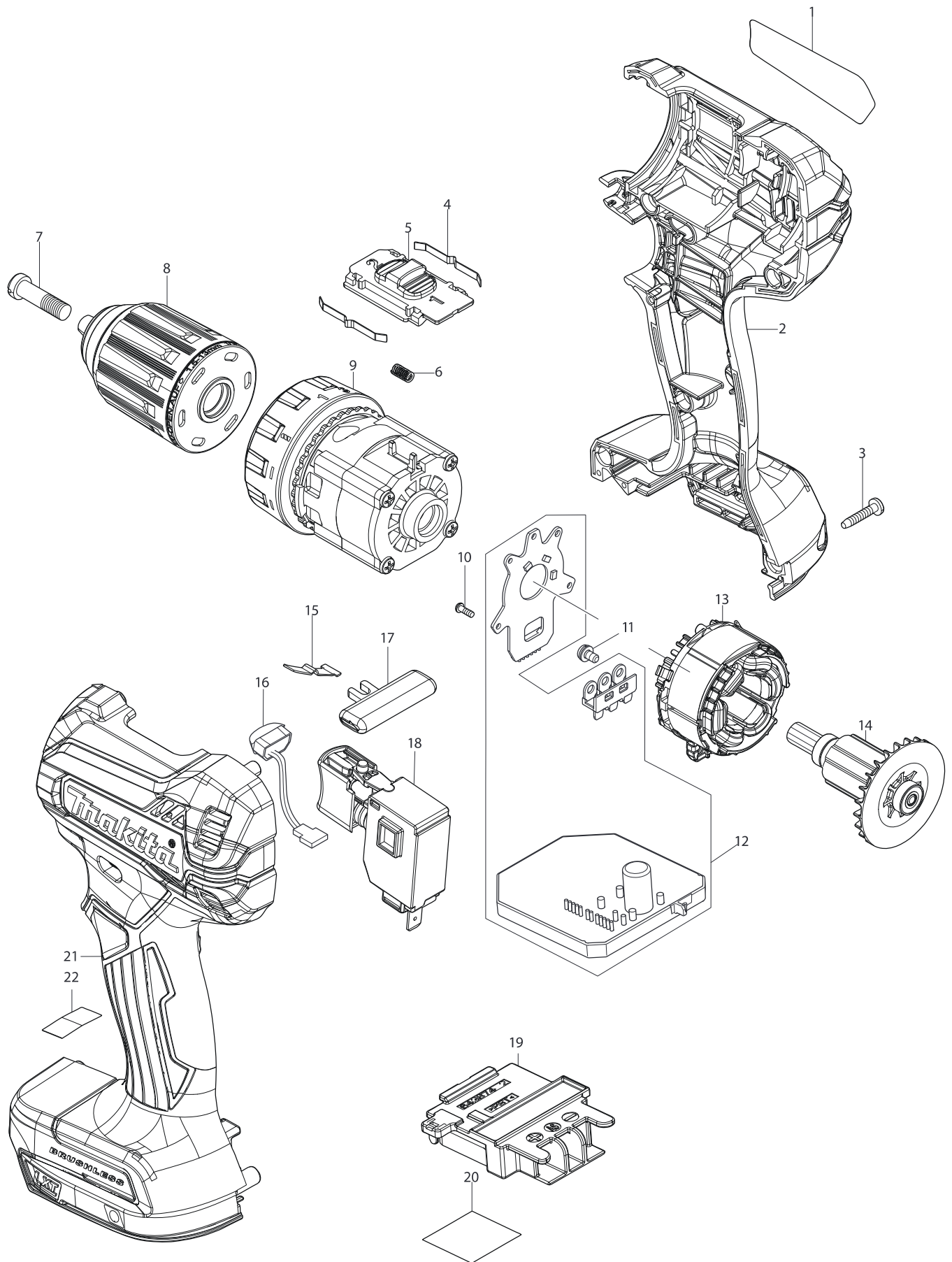
Model XMT03Z / XMT035 Parts List

A = Standard Equipment

O = Circuit Diagram

Item#	Part#	Description	Q'ty	Unit	
001	455272-6	UPPER HEAD COVER	1		
002	319059-9	LEVER	1		
003	313268-2	TURN BLOCK	1		
004	911102-6	PAN HEAD SCREW M4X6	1	PC.	
005	232282-8	LEAF SPRING	1		
006	266424-2	TAPPING SCREW 4X20	4	PC.	
007	268306-4	PIN 5	1		
008	326409-1	HOLDER BOLT	1		
009	266424-2	TAPPING SCREW 4X20	2	PC.	
010	454635-3	LOWER HEAD COVER	1		
011	213343-3	O RING 35	1	PC.	
012	326347-7	BEARING BOX	1		
013	961003-8	RETAINING RING S-7	1	PC.	
014	211392-4	SPHERE BEARING 706	1	PC.	
015	253133-2	FLAT WASHER 7	1	PC.	
016	313245-4	BALANCER	1	PC.	
017	211092-6	BALL BEARING 629DDW	1	PC.	
018	285857-2	BEARING RETAINNER	1	PC.	
019	240140-4	FAN 46	1	PC.	
020	519338-7	ARMATURE ASS'Y 18V	1		
	D10	INC. 19,21			
021	210023-2	BALL BEARING 627DDW	1	PC.	
022	455017-2	BUFFLE PLATE	1		
023	632B69-4	YOKE UNIT	1		
024	632B88-0	BRUSH HOLDER COMPLETE	1		
027	632B89-8	BRUSH HOLDER COMPLETE	1		
030	455013-0	MOTOR HOUSING	1		
031	455016-4	SWITCH KNOB	1		
032	455015-6	SWITCH LEVER	1		
033	234263-8	COMPRESSION SPRING 5	1	PC.	
034	255058-6	RIVET 2	1	PC.	
035	233002-3	COMPRESSION SPRING 3	1	PC.	
036	455018-0	SWITCH CASE	1		
037	651423-1	SWITCH	1	PC.	
038	620270-1	CONTROLLER	1		
039	271617-8	DIAL 28	1	PC.	
040	142617-4	HANDLE COVER COMPLETE	1		
	C10	263005-3	RUBBER PIN 6	3	PC.
	C20	803L22-9	CAUTION LABEL	1	
041	643852-2	TERMINAL	1	PC.	
042	424476-1	CUSHION	1	PC.	
043	263036-2	RUBBER PIN 5	1	PC.	
044	268184-2	PIN 1.5	1	PC.	
045	424473-7	CUSHION RUBBER	1	PC.	
046	187848-8	BATTERY HOUSING SET	1		
	C10	263005-3	RUBBER PIN 6	2	PC.
	D10	INC. 50			
047	142502-1	CRANK HOUSING COMPLETE	1		
048	266424-2	TAPPING SCREW 4X20	2	PC.	
049	424473-7	CUSHION RUBBER	1	PC.	

050	187848-8	BATTERY HOUSING SET	1	
	C10 263005-3	RUBBER PIN 6	2 PC.	
	D10	INC. 46		
051	815M49-3	XMT03 NAME PLATE	1	
052	266429-2	TAPPING SCREW 3X16	4 PC.	
053	423404-3	SPONGE SHEET	1 PC.	
A01	821608-5	PLASTIC CARRYING CASE	1	(XMT035)
	C10 162302-3	LATCH	2 PC.	(XMT035)
A02	***DC18RC	DC18RC FAST CHARGER	1 PC.	(XMT035)
A03	195324-8	BATTERY BL1830 SET	2 SET	(XMT035)
A04	450128-8	BATTERY COVER	1 PC.	(XMT035)
A05	142257-8	TOOL BOX COMPLETE	1	(XMT035)
	C10 454652-3	LATCH	1	(XMT035)
A06	196271-6	ADAPTER A SET	1 PC.	
A07	313249-6	ADAPTER C	1 PC.	
A08	A-95277	PLUNGE CUT SAW BLADE 32 TMA012	1 PC.	(XMT03Z)
A08A	A-95255	PLUNGE CUT SAW BLADE 32 TMA010	1 PC.	(XMT035)
A09	A-95548	ABRASIVE PAPER DELTA RED 180	1 PC.	(XMT035)
A10	A-95532	ABRASIVE PAPER DELTA RED 120	1 PC.	(XMT035)
A11	A-95423	SANDING PAD	1 PC.	(XMT035)
D01	652008-6	PAN HEAD SCREW M3.5X7	2 PC.	
D02	654077-3	INSULATED TERMINAL FK2-M3D-5.5	1 PC.	
D03	654510-5	INSULATED CONNECTOR 5.5-SD	1 PC.	

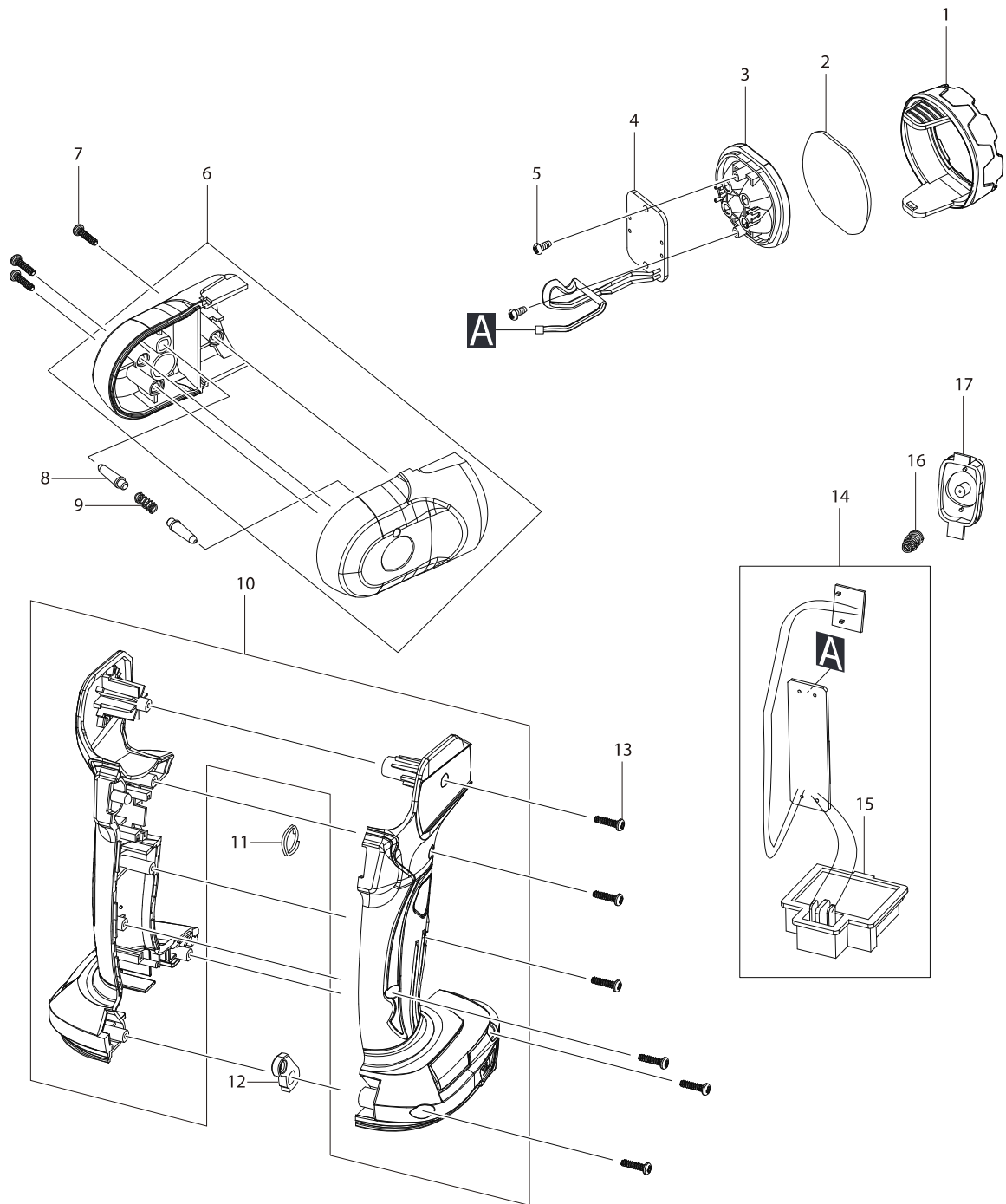


Model XFD131 Parts List

A = Standard Equipment

O = Circuit Diagram

Item#	Part#	Description	Q'ty Unit
001	854U25-0	XDF13 NAME PLATE	1 PC.
002	183K31-1	HOUSING SET	1 PC.
	C10 263005-3	RUBBER PIN 6	2 PC.
	C20 252126-6	HEX. LOCKING NUT M4-7	2 PC.
	D10	INC. 21	
003	266429-2	TAPPING SCREW 3X16	8 PC.
004	232220-0	LEAF SPRING	2 PC.
005	458671-1	SPEED CHANGE LEVER	1 PC.
006	233438-6	COMPRESSION SPRING 4	1 PC.
007	251468-5	- FLAT HEAD SCREW M6X22	1 PC.
008	766027-7	KEYLESS DRILL CHUCK 13	1 PC.
009	126962-5	GEAR ASSEMBLY	1 PC.
010	266490-9	TAPPING SCREW PT 2X6	3 PC.
011	652069-6	FLAT HEAD SCREW M3X6	3 PC.
012	620964-8	CONTROLLER	1 PC.
013	629372-0	STATOR	1 PC.
014	619533-0	ROTOR	1 PC.
015	232182-2	LEAF SPRING	1 PC.
016	620549-0	LED CIRCUIT	1 PC.
017	419041-9	F/R CHANGE LEVER	1 PC.
018	650710-5	SWITCH C3JW-4B	1 PC.
019	643874-2	TERMINAL	1 PC.
020	854U31-5	XFD13 SERIAL NO. LABEL	1 PC.
021	183K31-1	HOUSING SET	1 PC.
	C10 263005-3	RUBBER PIN 6	2 PC.
	C20 252126-6	HEX. LOCKING NUT M4-7	2 PC.
	D10	INC. 2	
022	817X57-6	CAUTION LABEL	1 PC.
A01	251314-2	+ SCREW M4X12	1 PC.
A02	346449-3	HOOK	1 PC.
A04	***DC18SD	DC18SD BATTERY CHARGER	1 PC.
	D10	COMPO-PARTS	
A05	197601-4	BATTERY BL1830B SET	1 PC.
A06	450128-8	BATTERY COVER	1 PC.
A07	832071-7	TOOL BAG	1 PC.



Model DML815/B Parts List

A = Standard Equipment

O = Circuit Diagram

Item#	Part#	Description	Q'ty	Unit
001	GM00001299	BEZEL(C1720802002)	1	PC.
002	GM00001298	LENS(C1720802001)	1	PC.
003	GM00002074	REFLECTOR	1	
004	GM00002075	LED PCBA ASSY	1	
005	GM00001332	SCREW 3 X 8 PB B0130080702	2	PC.
006	GM00002076	HEAD HOUSING ASSY	1	(DML815)
	GM00002079	HEAD HOUSING ASSY BLACK	1	(DML815B)
007	GM00001333	SCREW 3 X 12PB B0130120702	3	PC.
008	GM00001295	LOCKING SHAFT(C4120802001)	2	PC.
009	GM00001294	COMPRESSION SPRING B1303802922	1	PC.
010	GM00001303	HOUSING L/R(G0180200400)	1	SET (DML815)
	GM00002072	HOUSING L/R SET BLACK	1	SET (DML815B)
011	GM00001292	RING (B3103184009)	1	PC.
012	GM00001290	HOOK PLATE(B2804802921)	1	PC.
013	GM00001333	SCREW 3 X 12PB B0130120702	6	PC.
014	GM00002078	MAIN PCBA ASSY	1	
	D10	INC. 15		
015	GM00001117	BATTERY HOLDER C2010239007	1	PC.
016	GM00002077	SPRING	1	
017	GM00001291	SWITCH COVER(G0180200200)	1	PC.
A01	GM00001289	HOOK BAND SET(G0180200100)	1	PC.