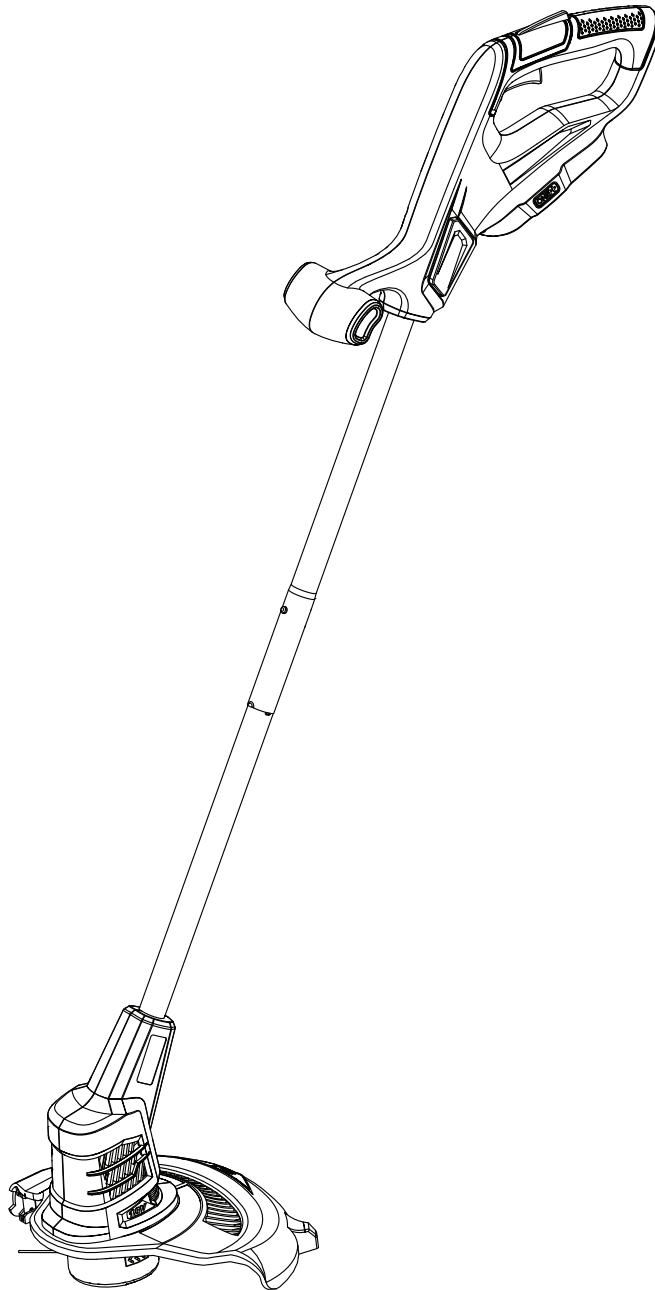


REPAIR SHEET

BRAND		DESCRIPTION
RYOBI		18 Volt String Trimmer/Edger
MODEL NO.	MFG. NO.	
P20103 P20103VNM	107890024 107890101	

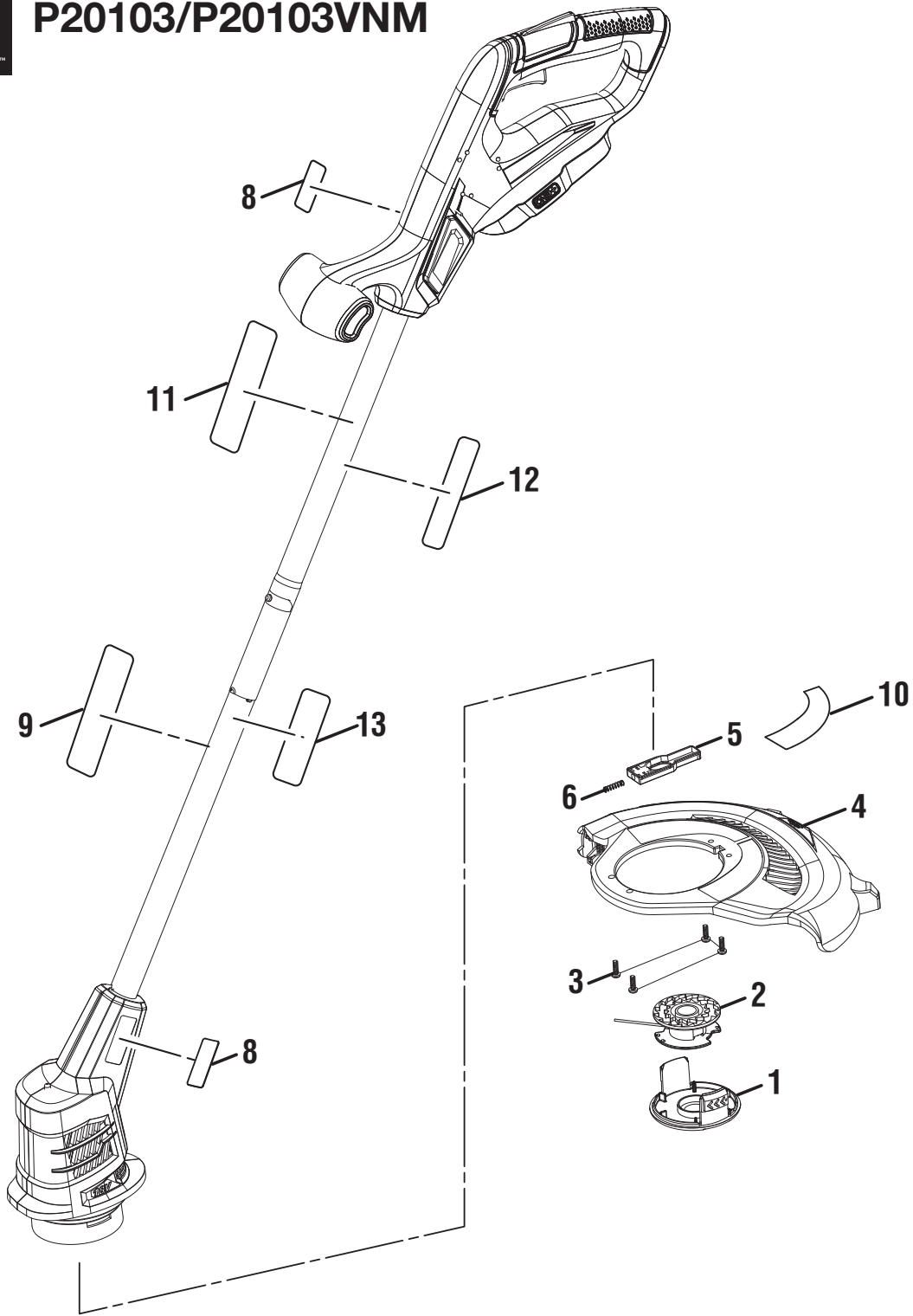


ONE WORLD TECHNOLOGIES, INC.

P.O. Box 1288, Anderson, SC 29622 ■ 1-800-525-2579 ■ www.ryobitools.com

2-23-21 (Rev:03)

The model number and manufacturing location will be found on a label attached to the product. Always mention this information in all communications regarding this product and when ordering parts.



PARTS LIST

KEY NO.	PART NO.	DESCRIPTION	QTY.
1	522994001	Spool Cap (AC14HC)	1
2	310917009	Spool w/Line	1
3	660208055	Screw (M4 x 12 mm, Pan Hd.)	4
4	313564002	Guard w/Blade Assembly (Inc. Key Nos. 3 & 10)	1
5	310920001	Slider Assembly	1
6	679034001	Compression Spring	1
8	940114179	Logo Label	2

KEY NO.	PART NO.	DESCRIPTION	QTY.
9	940020025	18V Boom Lithium Logo Label	
10	941588460	Autofeed No Bump Guard Label	1
11	941013004	Warning Icons Label	1
12	941013005	Warning Label (French/Spanish)	1
13	941588459	Data Label (P20103)	1
	941588837	Data Label (P20103VNM)	1
	Not Shown:		
	995000977	Operator's Manual	