

TotalPond® Pond Nozzle Kit

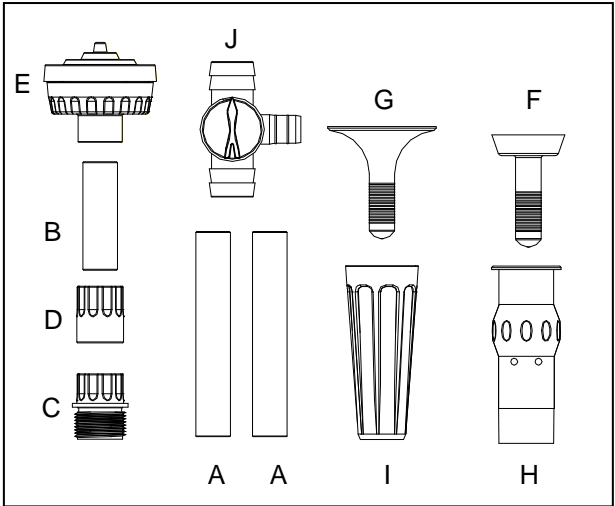
REMINDER
CALL 1-888-412-6001
BEFORE RETURNING TO STORE.



Questions, problems, missing parts? Before returning to your retailer, call our customer service department at 1-888-412-6001, 8 a.m.-6 p.m., EST, Monday-Friday, or email us at customer care@geoglobalpartners.com. Or visit our website www.totalpond.com.

PACKAGE CONTENTS

Part	Description	Quantity
A	Extension tube	2
B	Coupler	1
C	Adapter for 1/2" outlets	1
D	Adapter for 3/4" outlets	1
E	3-tier fountain head	1
F	Trumpet fountain head	1
G	Waterbell fountain head	1
H	Foam-jet fountain head	1
I	Lower fountain head nozzle	1
J	Diverter valve	1



PREPARATION

Before beginning assembly of product, make sure all parts are present. Compare parts with package contents list and diagram above. If any part is missing or damaged, do not attempt to assemble, install or operate the product. Contact customer service for replacement parts.

- Estimated Assembly Time: 5 minutes
- No tools required for assembly.

ASSEMBLY INSTRUCTIONS

1. Connect the two extension tubes with the coupler. Fig. 1

NOTE: Use the coupler if no spitters are to be used.

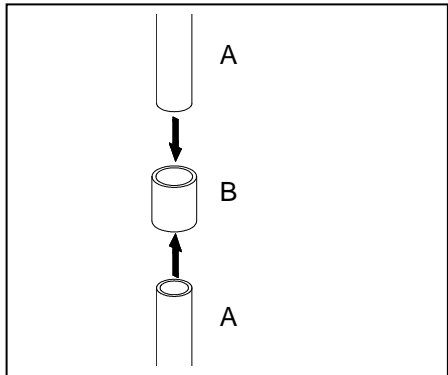


Fig. 1

2. Connect the extension tubes to the diverter valve. Make sure the arrow on the valve is positioned as shown and the diverter valve is connected as shown. Fig. 2

NOTE 1: Use diverter valve to simultaneously run a spitter and fountain head from one pump.

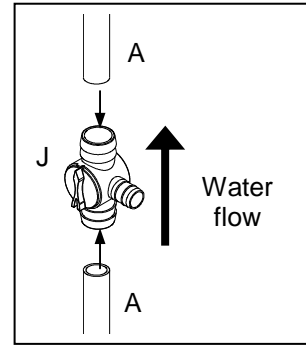


Fig. 2

3. For 1/2 in. tubing, connect the tubing onto the second output of the diverter valve. Connect the other end of the tubing to a spitter or other water feature. Fig. 3

NOTE: Tubing and spitter are NOT INCLUDED.

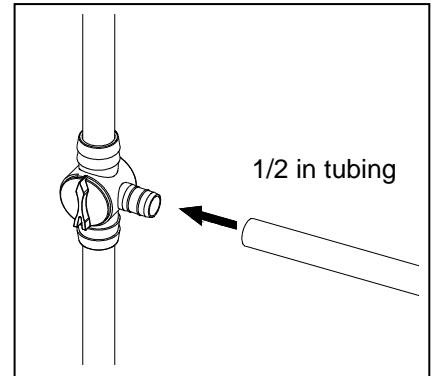


Fig. 3

4. Choose a fountain head for the desired water effect, and assemble your choice as shown in Fig. 4

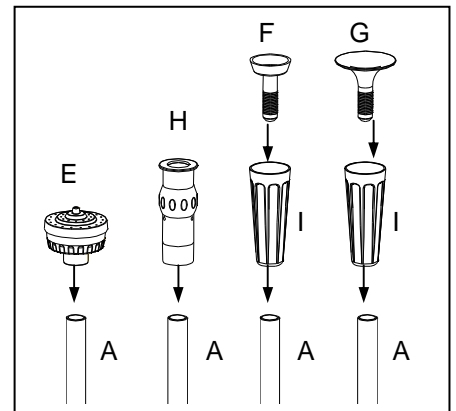


Fig. 4

5. Adjust the diverter valve to split the flow between the fountain head and the spitter. Fig. 5

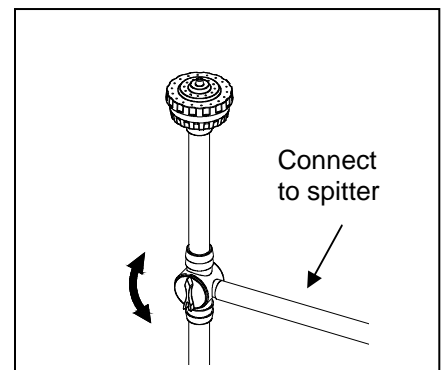


Fig. 5

6. For the DD11210 and DD11330 pumps, use the 1/2" adapter to connect the pump to the extension tubes. For the DD11560 pump, use the 3/4" adapter to connect the pump to the extension tubes. Fig. 6

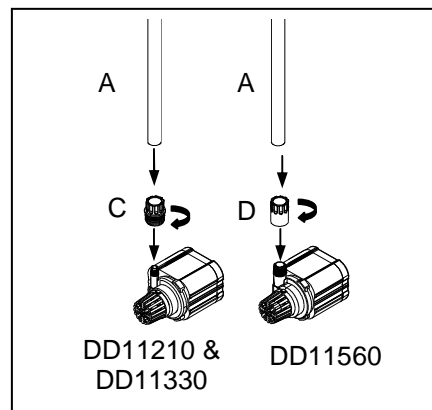


Fig. 6

7. For the MD11500, use the 5/8" adapter to connect the fountain head kit onto the pump. Fig. 7

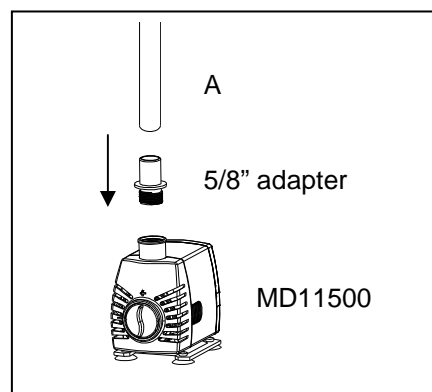


Fig. 7

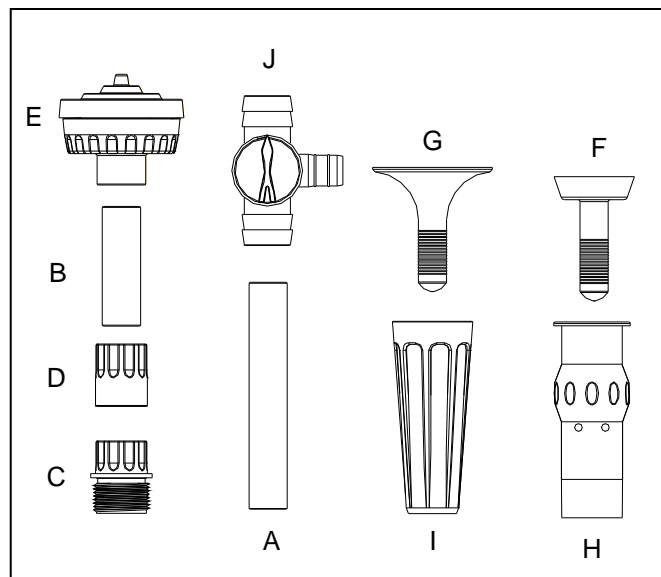
CARE AND MAINTENANCE

- Periodically disassemble the fountain head kit and clean the parts.
- Use a cloth or soft brush with warm, soapy water. Be sure to use biodegradable soap.

REPLACEMENT PARTS LIST

For replacement parts, call our customer service department at 1-888-412-6001, 8 a.m.-6 p.m., EST, Monday-Friday.

Part	Description
A	Extension tube
B	Coupler
C	Adapter for 1/2" outlets
D	Adapter for 3/4" outlets
E	3-tier fountain head
F	Trumpet fountain head
G	Waterbell fountain head
H	Foam-jet fountain head
I	Lower fountain head nozzle
J	Diverter valve



Printed in China