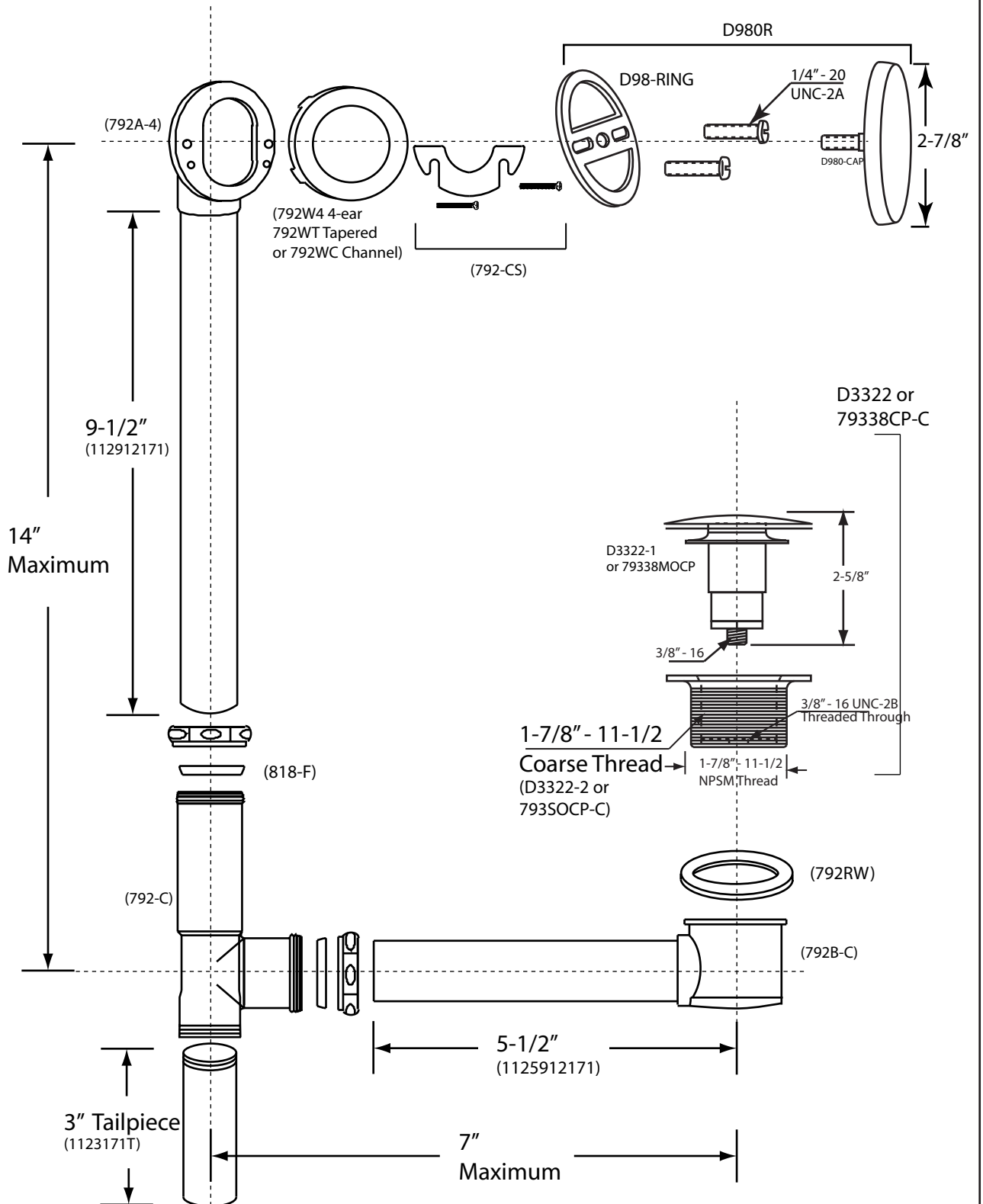


PART NO. D325H

# SPECIFICATION SHEET

Brass Waste & Overflow  
2-hole overflow, tip toe closure -  
Finished Trim Only



 Meets ADA Requirements  
for Accessibility