

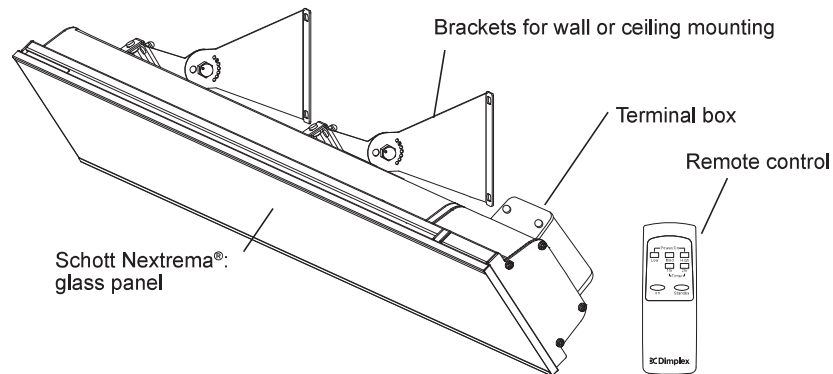
Heater Installation

HOW TO OPERATE THE HEATER:

What's included with your Dimplex DIR Series Heater

- IR Heater
- Operating and Installation Instructions
- One small box containing 2 sets of brackets and mounting hardware
- One remote control

Figure 1



Technical Specification

MODEL NAME	DIR15A10GR	DIR18A10GR	DIR22A10GR	DIR30A10GR
Voltage	120V 60Hz	240V 60Hz	240V 60Hz	240V 60Hz
Rated power (Watts)	1500	1800	2200	3000
Installation	Wall-mounted	Wall-mounted	Wall-mounted	Wall-mounted
Mounting height	Ceiling-mounted	Ceiling-mounted		
Minimum	2.4 M (7.9 ft.)	2.4 M (7.9 ft.)	2.4 M (7.9 ft.)	2.4 M (7.9 ft.)
Electric protection class	I	I	I	I
Outdoor Rated	Yes	Yes	Yes	Yes
Unit dimensions LxWxH (mm / in) (without bracket)	902 x 170 x 128 35-1/2 x 6-3/4 x 5	902 x 170 x 128 35-1/2 x 6-3/4 x 5	902 x 170 x 128 35-1/2 x 6-3/4 x 5	1286 x 170 x 128 50-5/8 x 6-3/4 x 5

Heater Installation

RISK OF FIRE/ EXPLOSION

This heater should not be used in potentially explosive atmospheres. Do not use in areas where gasoline, paint or flammable liquids are used or stored.

Installation minimum clearances specified on the heater nameplate and in the owner's manual must be followed.

Before installation, read this manual carefully and keep for future reference.

The heater must be installed in accordance with the manufacturer's installation instructions.

1. This equipment shall be installed only by qualified personnel who are familiar with the construction and operation of the apparatus and hazard involved.

⚠ WARNING: The heater is fitted with an electrical connection box and should be connected as a fixed installation by a licensed electrical professional. Wiring procedures and connections should be in accordance with the National Electric Code (NEC) and local codes.

2. Within USA, electrical installation shall be made in accordance with the National Electrical Code.
3. Within Canada, electrical installation shall be made according to the provisions of section 62 of the Canadian electrical code part 1.
4. Wiring procedures and connections shall be in accordance with the national and local codes having jurisdiction.

⚠ CAUTION: Disconnect electric power supply before working on circuit wiring to prevent electric shock.

⚠ CAUTION: When installing outdoors we recommend the heater is positioned where it will be protected from exposure to extreme weather such as snow and ice.

⚠ CAUTION: This heater must be grounded.

⚠ CAUTION: Electrical connection must have ground fault protection (GFCI or GFI).


⚠ CAUTION: A circuit breaker is required for proper installation, do not load beyond 80% capacity.

⚠ CAUTION: High temperature, risk of fire, keep electrical cords, drapery, furnishings, and other

Heater Installation

combustibles at least 0.9 m (3 ft) from the front of the heater and away from the side and rear.

5. The heater is designed for outdoor and indoor use and should not be used for any other purpose. Any other use not recommended by the manufacturer may cause fire, electric shock, or injury to persons.
6. Before commencing installation make sure the electrical supply voltage is the same as that shown on the rating plate of the heater.
7. The heater must be mounted at least 2.4 m (8 ft) above ground level. For other clearance please refer to the diagram included in these instructions.
8. To reduce the risk of fire, do not store or use gasoline or other flammable vapors and liquids in the vicinity of the heater
9. The heater is not intended for use in bathrooms, laundry areas or similar indoor areas. Never locate heater where it may fall into a bathtub, pool, spa, or other water container.
10. Do not install the heater directly near a bathtub, shower or swimming pool. Any switches or controls must not be within reach of a person in the bathtub, shower or swimming pool.
11. Ensure that the heater had been securely fastened in its final mounting position.
12. The heater can be only installed horizontally.
13. DO NOT install the heater vertically. Failure to do this may cause the heating element within the tube to sag and cause premature burnout.
14. There are no user-serviceable parts inside the heater. Any servicing other than regular cleaning of the heater should be performed by an authorized service professional.

 **WARNING:** The heater must not be used if the glass panels are damaged.

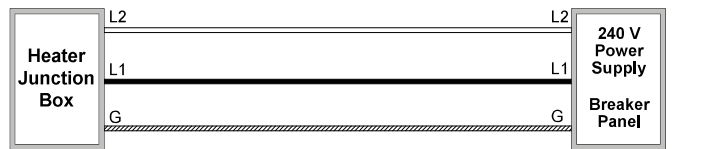
! NOTE: This heater comes with a pair of stainless steel adjustable angle mounting brackets. The adjustable angle enables the heater to be installed on horizontal and inclined surfaces.

Wiring Instructions

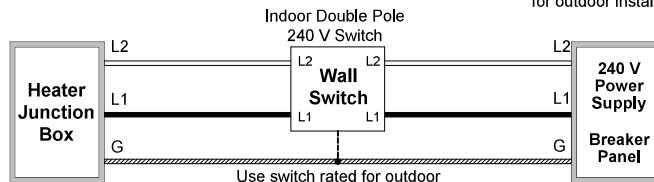
WIRING INSTRUCTIONS:

DIR15A10GR is to be wired to a 120V circuit while DIR18A10GR, DIR22A10GR and DIR30A10GR are to be wired to a 240V circuit. These heaters must be wired to the this circuit in such a way that the heater can be turned off directly at the circuit breaker in the event of an emergency. Sample wiring diagrams have been included below for quick reference.

240 V 15A

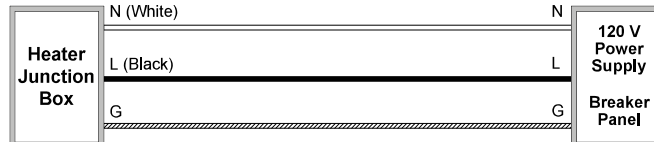


Use GFCI breaker for outdoor installations

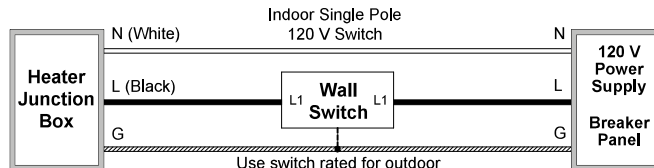


Use switch rated for outdoor applications, if applicable

120 V 15A



Use GFCI breaker for outdoor installations



Use switch rated for outdoor applications, if applicable

Use GFCI breaker for outdoor installations