

HARDWARE IDENTIFIER



Illustrations on this page are to scale for faster identification of hardware during assembly.

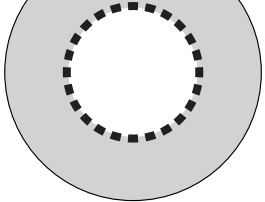
DO NOT RETURN PRODUCT IF YOU ARE MISSING PARTS.

Please Call: 1 (877) 728-8224

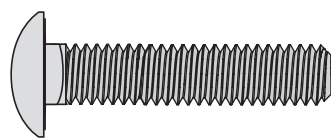
④ Carriage Bolt
5/16 x 1"
(x4)
11M1016P



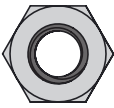
⑦ Washer: Flat
5/8" (x4)
45M2121P



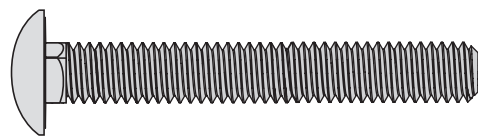
⑤ Carriage Bolt
5/16 x 1 1/2"
(x2)
11M1024P



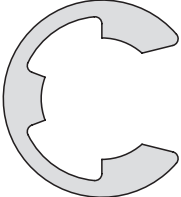
⑧ Nut: Nylon Lock
5/16" (x8)
B-4786




⑥ Carriage Bolt
5/16 x 2 1/4"
(x2)
11M1036P



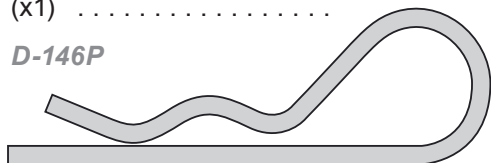
⑪ E-Ring, 5/8"
(x2)
F-577



⑬ Hitch Pin (x1)
.....
B-3861



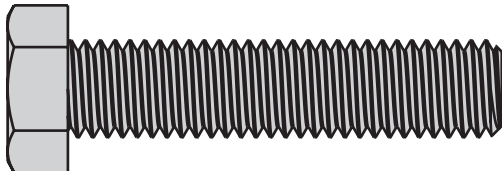
⑭ Hitch Pin Cotter
(x1)
D-146P



PARTS IN ADDITIONAL HARDWARE BAG

(Only for PRC-241 BH)

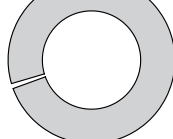
⑯ Bolt: Hex Head
1/2 x 2-1/4"
(x1)
1M1636P



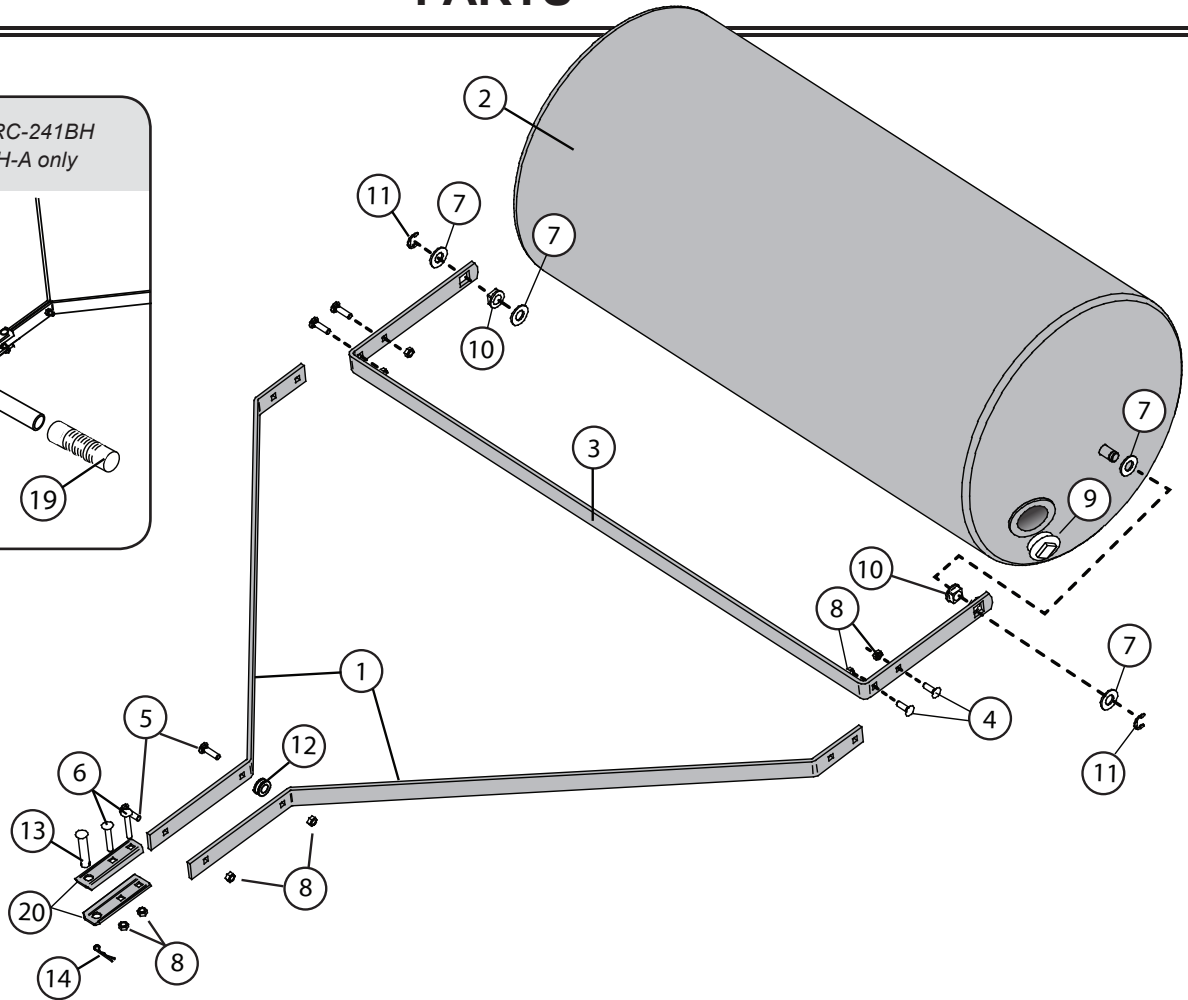
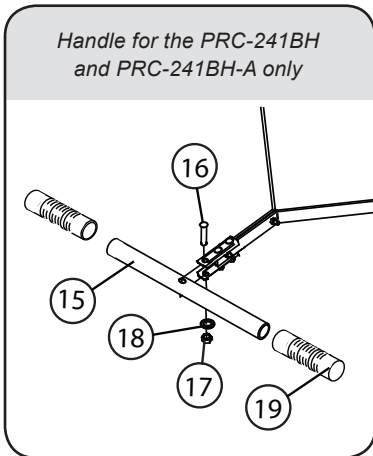
⑰ Nut: Hex
1/2" (x1)
30M1600P



⑱ Lock Washer 1/2"
(x1)
40M1600P

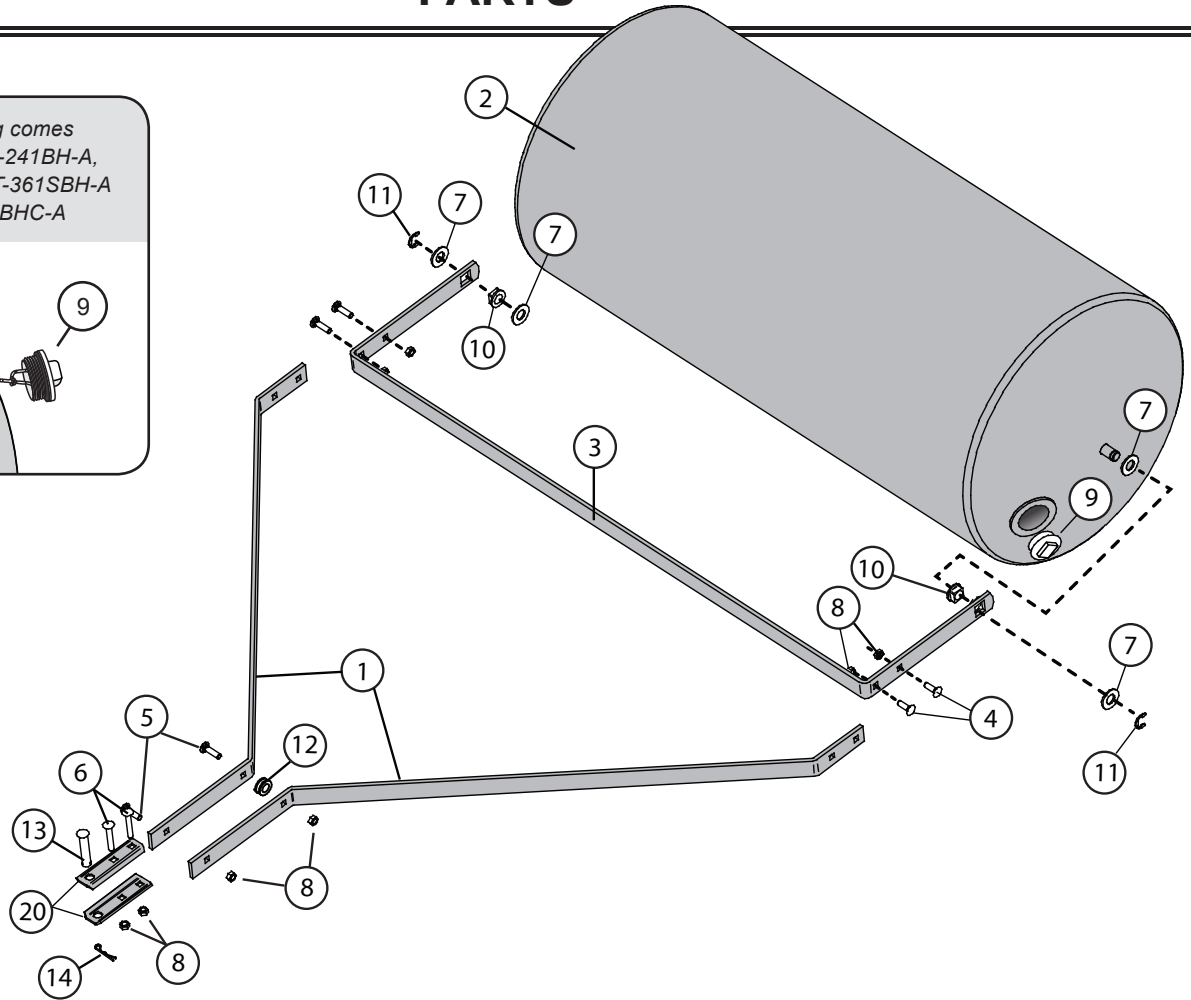
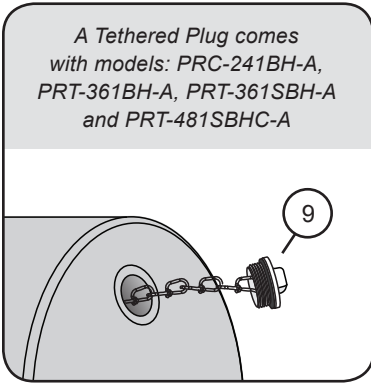


PARTS



Ref. #	Description	Qty.	PRC-241BH	PRC-241BH-A	PRT-361BH	PRT-361BH-A
1	Frame Extension Bar	2	B-3554-10	B-3554-10	B-6289-10	B-6289-10
2	Roller Drum Assembly	1	B-5121	B-5121	B-6271	B-6271
3	Scraper Bar	1	B-6291-10	B-6291-10	B-6272-10	B-6272-10
4	5/16" x 1", Carriage Bolt	4	11M1016P	11M1016P	11M1016P	11M1016P
5	5/16" x 1-1/2", Carriage Bolt	2	11M1024P	11M1024P	11M1024P	11M1024P
6	5/16" x 2-1/4", Carriage Bolt	2	11M1036P	11M1036P	11M1036P	11M1036P
7	5/8" Flat Washer	4	45M2121P	45M2121P	45M2121P	45M2121P
8	5/16" Nylon Lock Nut	8	B-4786	B-4786	B-4786	B-4786
9	Plug	1	1019261	1019524	1019261	1019524
10	Square Bearing	2	B-6270	B-6270	B-6270	B-6270
11	5/8" E-Ring	2	F-577	F-577	F-577	F-577
12	Frame Spacer	1	R-1141	R-1141	R-1141	R-1141
13	Hitch Pin	1	B-3861	B-3861	B-3861	B-3861
14	Hitch Pin Cotter	1	D-146P	D-146P	D-146P	D-146P
15	Handle	1	B-3556-10	B-3556-10		
16	Hex Bolt 1/2" x 2-1/4	1	1M1636P	1M1636P		
17	Hex Nut 1/2"	1	30M1600P	30M1600P		
18	Lock Washer 1/2"	1	40M1600P	40M1600P		
19	Grip	2	B-2579	B-2579		
20	Clevis	2	R-892-10	R-892-10		

PARTS



Ref. #	Description	Qty.	PRT-361SBH	PRT-361SBH-A	PRT-481SBH	PRT-481SBHC-A
1	Frame Extension Bar	2	B-5357-10	B-5357-10	B-6290-10	B-6290-10
2	Roller Drum Assembly	1	B-5353-B	B-5353-B	B-5789-B	B-5789-B
3	Scraper Bar	1	B-6292-10	B-6292-10	B-6294-10	B-6294-10
4	5/16" x 1", Carriage Bolt	4	11M1016P	11M1016P	11M1016P	11M1016P
5	5/16" x 1-1/2", Carriage Bolt	2	11M1024P	11M1024P	11M1024P	11M1024P
6	5/16" x 2-1/4", Carriage Bolt	2	11M1036P	11M1036P	11M1036P	11M1036P
7	5/8" Flat Washer	4	45M2121P	45M2121P	45M2121P	45M2121P
8	5/16" Nylon Lock Nut	8	B-4786	B-4786	B-4786	B-4786
9	Plug	1	1019261	1019524	1019261	1019524
10	Square Bearing	2	B-6270	B-6270	B-6270	B-6270
11	5/8" E-Ring	2	F-577	F-577	F-577	F-577
12	Frame Spacer	1	R-1141	R-1141	R-1141	R-1141
13	Hitch Pin	1	B-3861	B-3861	B-3861	B-3861
14	Hitch Pin Cotter	1	D-146P	D-146P	D-146P	D-146P

Installation Questions? Missing Parts or Need Replacement Parts?
DON'T GO BACK TO THE STORE!

Please contact our Customer Service Department:
 Call Toll Free: 877-728-8224 Or Email: customerservice@brinly.com