

# VISSANI

**Under Cabinet Range Hood**

**Campana extractora para  
instalación bajo gabinete**

# QR272S / QR272BS



# Table of Contents

Safety Information .....	2
Warranty	
One Year Limited Warranty.....	4
Warranty Claim Procedure.....	4
Pre-Installation	
Tools/Materials Required.....	5
Package Contents .....	6
Hardware Included.....	6
Planning Installation .....	7
Installation .....	10
Operation.....	16

Maintenance	
Replacing Filters .....	17
Replacing Lights .....	17
Care and Cleaning	
Range Hood .....	18
Filters.....	18
Troubleshooting .....	19
Specifications	
Wiring Diagram .....	20
External Range Hood Diagram.....	21
Service Parts.....	22
MANUAL DEL USARIO .....	23

# Safety Information

## READ AND SAVE THESE INSTRUCTIONS

**Warning - To reduce the risk of fire, electric shock, or injury to persons, observe the following:**

1. Use this unit only in the manner intended by the manufacturer. If you have any questions, contact the manufacturer.
2. Before servicing or cleaning unit, switch power off at service panel and lock service disconnecting means to prevent power from being switched on accidentally. When the service disconnecting means cannot be locked, securely fasten a prominent warning device, such as a tag, to the service panel.
3. Installation work and electrical wiring must be done by qualified person(s) in accordance with all applicable codes and standards, including fire-rated construction.
4. Sufficient air is needed for proper combustion and exhausting of gases through the flue (chimney) of fuel burning equipment to prevent back drafting. Follow the heating equipment manufacturer's guideline and safety standards such as those published by the National Fire Protection Association (NFPA), and the American Society for Heating, Refrigeration and Air Conditioning Engineers (ASHRAE), and the local code authorities.
5. When cutting or drilling into a wall or ceiling, do not damage electrical wiring and other hidden utilities.
6. Ducted fans must always be vented to the outdoors.

**WARNING: FUEL (GAS) BURNING RANGES MUST BE VENTED OUTDOORS USING, AT MINIMUM, METAL DUCTWORK AND RANGE HOODS OF SUFFICIENT CAPACITY.** Follow your fuel burning equipment manufacturer's guidelines, as well as, all applicable safety standards published by the National Fire Protection Association (NFPA), and the American Society for Heating, Refrigeration and Air Conditioning Engineers (ASHRAE), and your local code authorities.



**DANGER:** Turn off the power circuit breaker or the power switch on the junction box before installing or servicing this unit. Touching circuitry inside the range hood while it is energized will result in death or serious injury.



**DANGER:** All electrical wiring must be properly installed, insulated, and grounded. Improper insulation and grounding will result in deadly electrical shock.



**DANGER:** If installing this unit over a gas range, turn off the gas at the source before installing or servicing this unit.



**WARNING:** Attempting to install or service this unit when you do not have the necessary technical or electrical background could result in personal injury.



**WARNING:** The unit has sharp edges. Always wear safety gloves during installation, cleaning, or servicing.



**WARNING:** Always leave safety grills and filters in place. Without these components, operating fans could catch on to hair, fingers, or loose clothing.



**WARNING:** Stay clear of the rotating fan when the motor is running.



**WARNING:** Keep this appliance clean and free of grease and residue build-up at all times to prevent fires.



**CAUTION:** This device is for general ventilating use only. Do not use to exhaust hazardous or explosive materials and vapors.

## Safety Information (continued)

### COOKING SAFETY INFORMATION

1. Never leave the range hood unattended when in use.
2. Never cook over open flames under the range hood.
3. Always turn the range hood on when cooking at high heat or when cooking flaming foods.
4. The minimum installation distance above the range (D) is 18 in. (458 mm). Use extra caution as the surface of the range hood may become extremely hot to the touch if the range is operated on high power for an extended amount of time.
5. Use caution when cooking with oil or with deep-fryers. Overheating may cause oil to reach its flash point and ignite. Used oil will ignite at lower temperatures than fresh oil. Heat oils slowly on low to medium setting.
6. Avoid boil overs, as they may cause smoking and greasy spillovers that could ignite.
7. To prevent burns or fires, always use cookware appropriate to the size of the heating element that you are using.
8. In event of a cooking fire, observe the following:
  - Be careful to avoid burns.
  - Smother flames with a close-fitting lid, cookie sheet, or metal tray, then turn off the burner. If the flames do not go out immediately, evacuate and call the fire department.
  - Never pick up a flaming pan.
  - Do not use water, including wet dishcloths or towels, as you could cause a steam explosion.
  - Use an extinguisher only if: (a) you have a class ABC extinguisher and you know how to operate it, (b) the fire is small and contained in the area where it started, (c) the fire department is being called, and (d) you can fight the fire with your back to the exit.

### CLEANING SAFETY INFORMATION

1. The fan and hybrid filters must be cleaned periodically and kept free from accumulation of cooking residue. Old and worn filters must be replaced immediately.
2. Never disassemble parts to clean. Parts should be disassembled by qualified persons only.



**WARNING:** To reduce the risk of fire, use only metal duct work. Never use plastic duct work.



**WARNING:** To reduce the risk of fire or electric shock, do not use this range hood with with any external solid state speed control device.



**CAUTION:** For general ventilation use only. Do not use the range hood fans to exhaust hazardous or explosive vapours.



**CAUTION:** Never dispose of cigarette ashes, ignitable substances, or any foreign objects in fans.



**CAUTION:** To reduce risk of fire and to properly exhaust air, be sure to duct air outside-do not vent exhaust air into spaces within walls or ceilings or into attics, crawl spaces, or garage.

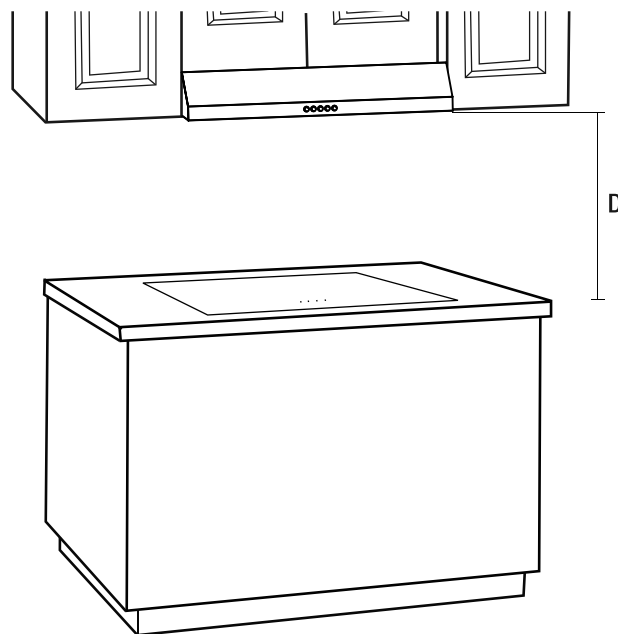


Fig. 1

# Warranty

## ONE YEAR LIMITED WARRANTY

A thorough inspection must be made before installation and any damage must be promptly reported. We will not be liable for failures or damage that could have been discovered or avoided by proper inspection and testing prior to installation.

Vissani warrants this product to be free from defects in materials or workmanship for one (1) year from the date of purchase. Proof of purchase (original sales receipt) from the original consumer purchaser must be made available to Vissani for all warranty claims.

This warranty is non-transferable and shall be voided if the unit is removed from its initial installation or if it is not installed following the manufacturer's instructions. It does not apply in the event of product damage due to the use of other than genuine replacement parts, (Replacement parts may be obtained by e-mail at [vissani@conglom.com](mailto:vissani@conglom.com) or by calling 1-888-449-9197 between 8:30 am - 5 pm, EST, Monday - Friday) installation error, abuse, misuse or improper care and maintenance (whether performed by a plumber, contractor, service provider or member of the purchaser's household). The warranty excludes damage due to aggressive air or water conditions, harsh or abrasive cleaners and/or materials.

Under no circumstance shall we be held liable for personal injury or property damage resulting from improper installation or use of this product. We will not be held liable for inconvenience caused by loss of use of this product, costs incurred for materials, removal and installation of replacement units, or any other incidental or consequential damages. Costs relating to obtaining access for repair or replacement are the responsibility of the user.

Our obligation shall be limited to the repair or replacement of a unit (at our discretion) that may prove, by our sole examination, to be defective under normal use and service during the warranty period.

Any failure of this product that is not traceable to a defect in material or workmanship is not covered by this warranty. These non-warrantable items include, but are not limited to:

- Improper installation not in accordance with manufacturer's instructions.
- Dents and/or scratches incurred during shipping, handling, or installation.
- Change in color or finish due to chemical usage.
- Damage caused by failure to follow care and cleaning guidelines, including damage caused by the use of abrasive cleaners.
- Alterations made to the unit by the purchaser or installer.
- Damage caused by accidental impact, fire, flood, freezing, and normal wear.
- Bends and warping caused by forced connections, over-tightened fittings, and inadequate support during installation.
- Any damage to light bulbs.

## WARRANTY CLAIM PROCEDURE

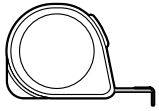
If a claimable defect occurs or replacement parts are needed, please contact our customer service team at [vissani@conglom.com](mailto:vissani@conglom.com) or 1-888-449-9197 between 8:30 am - 5 pm, EST, Monday - Friday.

Before you make your call, please ensure that you have:

- Model number or description.
- Proof of sale.
- Details regarding the defect and/or part number.
- Name(s) and address(es) of the owner and/or installer.

# Pre-Installation

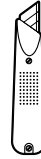
## TOOLS/MATERIALS REQUIRED (NOT SUPPLIED)



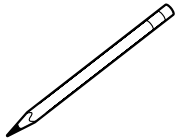
Measuring tape



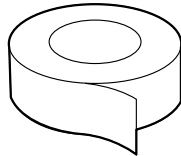
Level



Utility knife



Pencil



Certified  
Duct Tape



Adjustable  
wrench



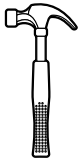
Phillips screwdriver



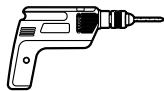
Flathead  
screwdriver



Needle nose  
pliers



Hammer



Electric drill



Safety goggles

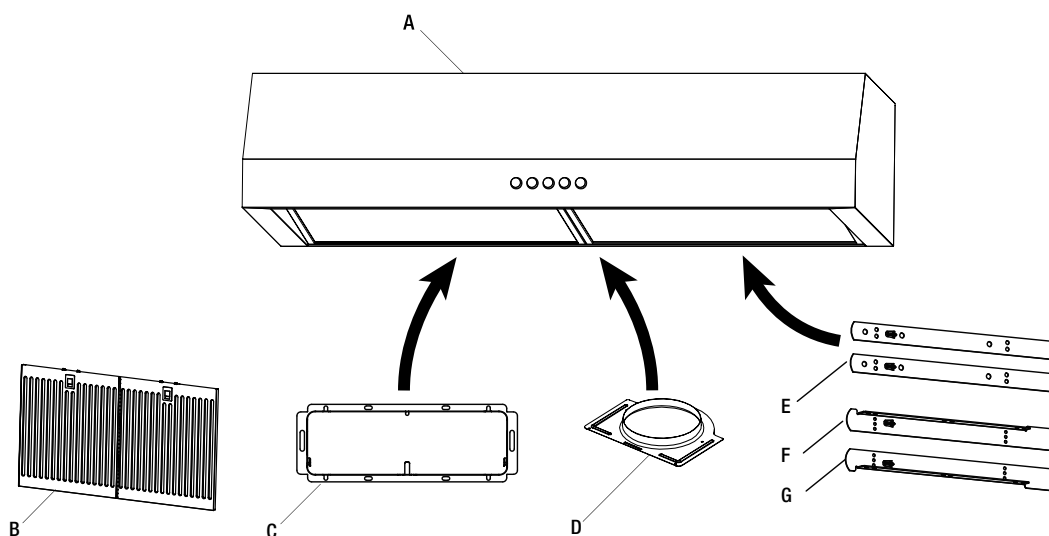


Safety gloves

# Pre-Installation (continued)

## PACKAGE CONTENTS

Carefully check the range hood for damage and for missing parts prior to installation. If there is any damage or if you are missing parts, do not proceed with the installation. Report damage and missing parts immediately. Do not dispose of packaging before you are satisfied with your new range hood.

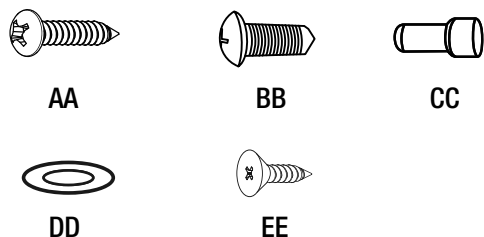


Part	Description	Quantity
A	Range hood	1
B	Hybrid filters	2
C	Rectangular damper (located inside the hood)	1
D	Round adapter (located inside the hood)	1
E	Brackets for frameless cabinet (located inside the hood)	2
F	Bracket for framed cabinet-left (located inside the hood)	1
G	Bracket for framed cabinet-right (located inside the hood)	1

## HARDWARE INCLUDED

### NOTE:

Parts not shown in actual size.



Part	Description	Quantity
AA	Long tapping screws (ST4x18mm)	6
BB	Short tapping screws (ST4x10-F-Hmm)	10
CC	Wire Connectors	2
DD	Washer	4
EE	Countersunk wood screw (4x10mm)	6

# Pre-Installation (continued)

## PLANNING INSTALLATION

### Number of people required: 1

- Before installation, measure all distances to ensure the proper position of the range hood (A).
  - The minimum distance (1) from the cooking surface to the range hood is 18 in. (458 mm). If your range specifies a different distance, use the greater distance of the two. For best performance, this distance (1) should not exceed 25 in. (635 mm).
  - Dimension (2) should be at least 30 in (762 mm). The range hood should be approximately the same size as the cook top.
- If the bottom of the cabinet (3) above the location where the range hood is to be installed is recessed, attach appropriately sized wood filler strips (4) on each side using wood screws or use the supplied installation brackets for framed cabinets.
- Screws are provided to secure the range hood to most types of cabinets, but consult a qualified installer to verify that the supplied screws are suitable for your cabinets.
- Put a thick, protective covering over your counter, cooktop, or range to protect it from damage and dirt during installation. Remove any hazardous objects around the area.



**WARNING:** Always wear safety goggles and gloves during installation.

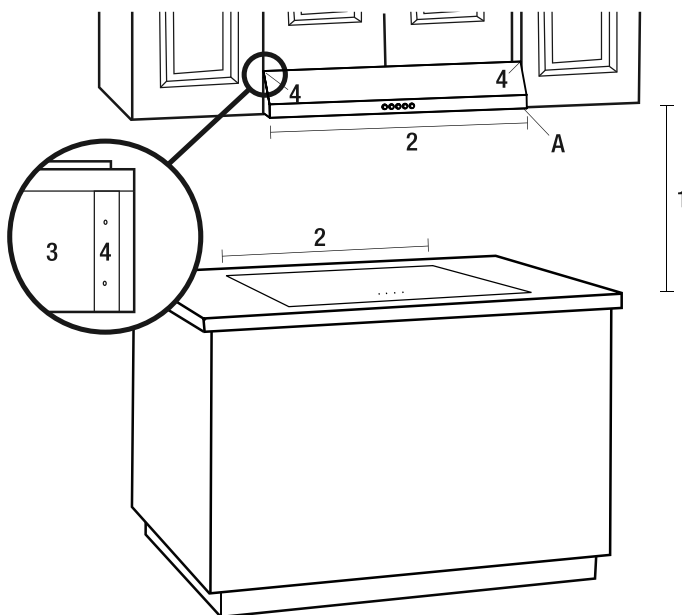


Fig. 2

## VENTING OPTIONS:

- Determine if your existing venting system is top venting or back venting, and ensure that the openings in the cabinet or wall for the damper and for power access are in appropriate locations and are of appropriate sizes, as per Fig. 3 if it is top venting or Fig. 4 if it is back venting. For top venting option (Fig. 3), if you are using the round adapter, the opening should be A and B only. If you are using the rectangular damper, opening should be B and C only.
- If this is a new installation, choose the venting method that suits your needs. Cut out openings for the damper and for power access in the cabinet bottom or back wall, depending on the direction of venting chosen.

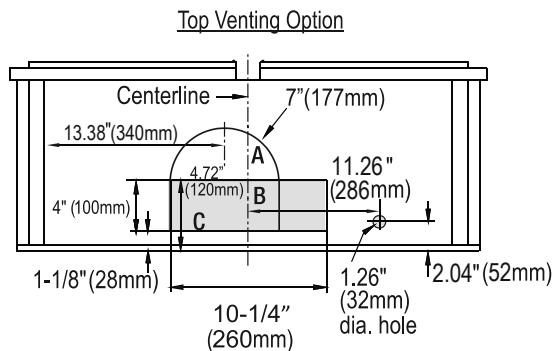


Fig.3

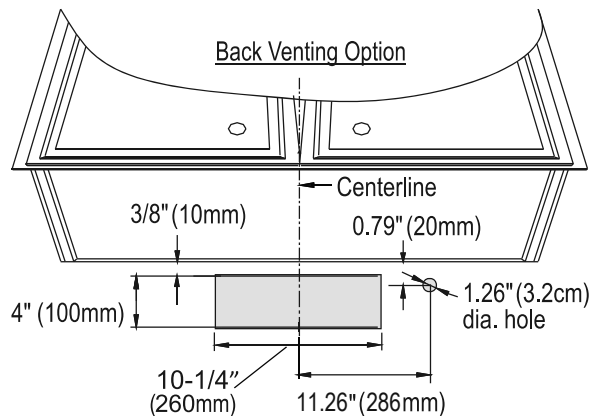


Fig.4

# Pre-Installation (continued)

## FOLLOW THESE GUIDELINES WHEN INSTALLING DUCT WORK:

- Your venting system must vent to the outdoors either horizontally through the back wall (13) or vertically through the roof (14) (refer to Fig. 5/Fig. 6/Fig. 7).
- Use round metal duct work with a uniform diameter of 7 in (177 mm). The total duct run in the venting system should not be more than 35 ft (10.7 m).
- Calculate the total effective length of the duct work by adding the equivalent lengths in the table shown (Fig. 9). For each fitting used add the length of the equivalent straight duct used in the system.
- Fasten all connections between pieces of duct with sheet metal screws and tape all joints with certified duct tape.
- If you must turn the path of the duct work using elbows, keep the number of elbows to a minimum for effective performance and use no more than three 90° elbows. Ensure that there is a minimum of 18 in (458 mm) of straight vent between each elbow. Elbow as far away from the range hood's exhaust opening as possible.
- Cap the exterior of the duct with a wall cap (15) or roof cap (16). Never use 4 in (102 mm) laundry-type wall caps. Use caulking to seal exterior wall or roof opening around the cap.
- The venting system must have a damper. If the roof or wall cap has a damper, do not use the damper supplied with the range hood.

Horizontal Wall Venting

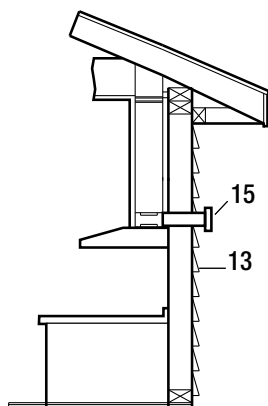


Fig.5

Horizontal Wall Venting

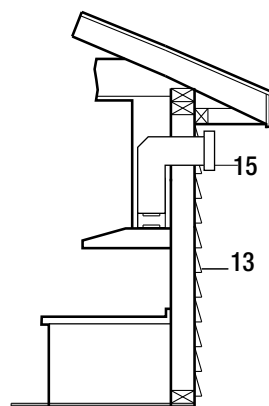


Fig.6

Vertical Roof Venting

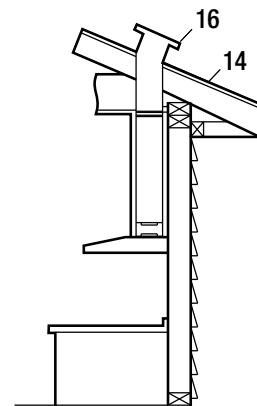


Fig.7

Equivalent Length Chart

Type of duct	Length added
45° Elbow	3 ft (0.91 m)
90° Elbow	5 ft (1.52 m)
90° Flat elbow	12 ft (3.66 m)
9 ft (2.74 m) Straight duct	9 ft (2.74 m)
Wall cap	0 ft (0 m)

Fig. 8



# Pre-Installation (continued)

## WIRING CONNECTION REQUIREMENTS

Installation work and electrical wiring must be done by a qualified person(s) in accordance with all applicable codes and standards, including fire-rated construction.

### OBSERVE ALL GOVERNING CODES AND ORDINANCES WARNINGS

- Electrical grounding is required for this range hood. Check with a qualified electrician if you are not sure whether the range hood is properly grounded.
- Failure to follow electrical requirements may result in a fire.
- A fuse in the neutral or grounding circuit could result in electrical shock.
- If the hot/cold water pipe is interrupted by plastic nonmetallic gaskets or other materials, DO NOT use for grounding.
- DO NOT GROUND TO A GAS PIPE.

**IMPORTANT:** It is the customer's responsibility to contact a qualified electrical installer and assure that the electrical installation is adequate and complies with the National Electrical Code, or CSA standards, as well as all local codes and ordinances.

1. Save installation instructions for electrical inspector's use.
2. If codes permit and a separate ground wire is used, it is recommended that a qualified electrician determine if the ground path is adequate.
3. DO NOT use an extension cord or adapter plug with this appliance.
4. The range hood must be connected with copper wire only.
5. The range hood should be connected directly to the junction (or circuit breaker) box through flexible, armoured or nonmetallic sheathed copper cable. Allow some slack in the cable so the appliance can be moved if servicing is ever necessary.
6. A UL listed or CSA approved conduit connector must be provided at each end of the power supply cable (at the range hood and at the junction box).
7. When making the electrical connection, cut a 1-1/4 in (3.2 cm) hole in the wall. A hole cut through wood must be sanded until smooth. A hole through metal must have a grommet.
8. When cutting or drilling into the wall or ceiling, do not damage electrical wiring and other hidden utilities.
9. Wire size must conform to all local codes and ordinances. The latest edition requirements of the National Electrical Code ANSI/NFPA 70, or the latest edition CSA Standards C22.1-94, Canadian Electrical Code Part 1 and C22.2 No. 0-M91.



**DANGER:** Risk of electrical shock. This range hood must be properly grounded.



**DANGER:** Turn off the power circuit breaker or the power switch on the junction box before installing this unit. Touching circuitry inside the range hood while it is energized will result in death or serious injury.

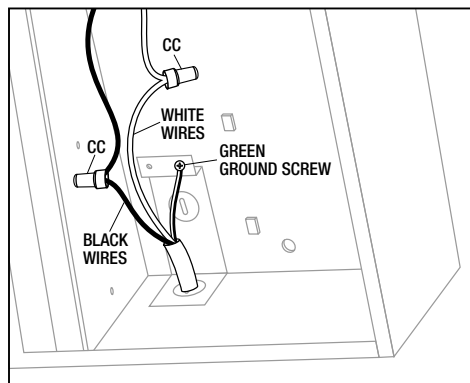


**DANGER:** All electrical wiring must be properly installed, insulated, and grounded. Improper insulation and grounding will result in deadly electrical shock.

### NOTE:

*Temporarily wire the range hood to test it for proper operation. If the range hood does not operate correctly, do not proceed with the installation.*

- Remove the bottom panel of the range hood (see Fig. 13) to access the electrical wire leads.
- Use the power supply cable to connect the range hood (A) directly to the junction box or circuit breaker box. Use a flexible, armoured, or nonmetallic sheathed copper cable only. Never use an extension cord or adapter plug.
- Connect a UL-listed or CSA-approved conduit connector to each end of the power supply cable (at the range hood and at the junction box). Connect the 2 colored wires from the range hood (A) to the corresponding wires from the electrical source: black to black (live), white to white (neutral), and the house grounding wire to the green ground screw. Use either the top hole (1) or the back hole (2) of the range hood depending on your installation type as shown in Fig. 10.
- Turn the power on, and ensure that the lights and the fan are operating correctly.
- Once you have tested the electrical connection, disconnect the power supply cable and wires from the electrical source before proceeding with the rest of the installation.



# Installation

**WARNING: FUEL (GAS) BURNING RANGES MUST BE VENTED OUTDOORS USING, AT MINIMUM, METAL DUCTWORK AND RANGE HOODS OF SUFFICIENT CAPACITY.** Follow your fuel burning equipment manufacturer's guidelines, as well as, all applicable safety standards published by the National Fire Protection Association (NFPA), and the American Society for Heating, Refrigeration and Air Conditioning Engineers (ASHRAE), and your local code authorities.

## REMOVING THE ELECTRICAL KNOCK-OUT HOLE



**WARNING:** Always wear safety goggles and gloves during installation.

- Choose the appropriate electrical knock-out hole to remove for your installation type. Use the top hole (1) if your electrical supply is in the cabinet and the back hole (2) if your electrical supply is on the wall below the cabinet (refer to Fig. 9).
- Use a hammer and a flathead screwdriver to gently punch out the electrical knock-out hole.
- Use an approved strain relief to ensure the knock out hole does not damage the insulation of the the electrical supply cable.

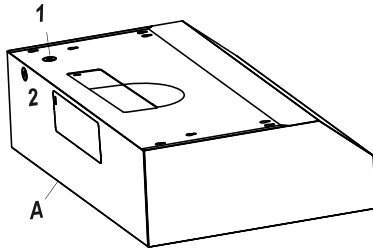


Fig. 9

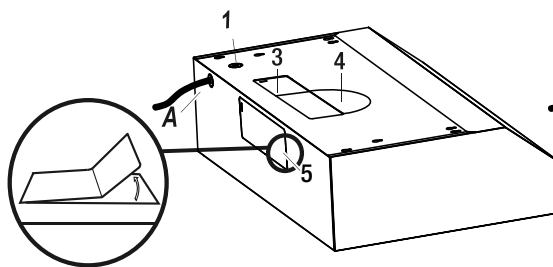


Fig. 10

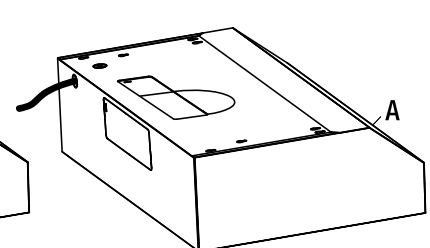


Fig. 11

## REMOVING THE VENTING HOLE

- Choose the venting hole to remove for your installation type. Use the top holes (3 & 4) for a top venting installation and the back hole (5) for a back venting installation. See Installing the damper section for more details.
- Carefully remove the cover (3, 4 or 5) of the appropriate venting hole using a flat head screwdriver or needle nose pliers (refer Fig. 10). Be careful not to leave any debris inside the range hood (A).

## INSTALLING THE DAMPER

### NOTE:

Only install the damper if you are using a venting system that does not already have a damper. If this hood replaces an existing unit, the location of the air exhaust can vary from one manufacturer to another. Ensure that the damper fits in the existing opening before installing.

- The damper and the adapter are located inside the range hood. To access these parts, remove the bottom panel (K) if you have not previously done so (see Fig. 12).
- Choose to install the damper (C) either in the top position (3A & B) for top venting or in the back position (5) for back venting. Adapter (D) is used for top venting only and installs in position 3A and 4.
- Attach damper (C) or adapter (D) over chosen knockout opening. Make sure the damper pivot is oriented on top such that the damper stays closed when not in use.
- Secure the damper (C) or adapter (D) to the range hood (A) with the short tapping screws (BB).
- Seal the damper (C) or adapter (D) to the range hood (A) on all four sides with duct tape.

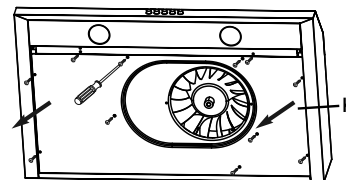


Fig. 12

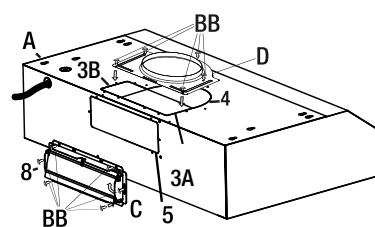
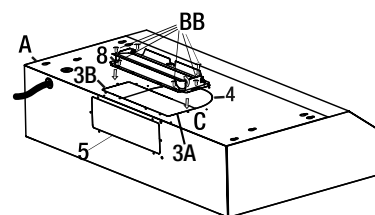


Fig. 13

# Installation (continued)

## NOTE:

This range hood can be installed to the cabinet with or without the use of the supplied installation brackets.

## A. INSTALLATION WITHOUT MOUNTING BRACKETS

If you are installing this range hood to a framed cabinet install a 3 inch wide spacer on either side of the cabinet to fill the void so that the range hood can be securely tightened to the cabinet.

Lift the range hood (A) up under the cabinet to determine its final position. Mark the location of the four keyhole mounting slots (1) on the underside of the cabinet.

- Set the range hood (A) aside on a protective surface.
- Drill four pilot holes in the locations that you marked.
- Screw the four long tapping screws (AA) into the pilot holes. Do not tighten the screws all the way – leave the screw heads about 0.28 in (7 mm) from the cabinet surface.
- Lift the range hood (A) into position, feeding the power cable and the electrical wires through the power access opening. Allow some slack in the cable and wires so that the appliance can be moved if servicing is ever necessary.
- Position the range hood (A) so the large end (2) of the keyhole mounting slots (1) are over the screws (AA). Then push the range hood (A) toward the wall so the screws (AA) are in the neck (3) of the keyhole slots. Tighten the screws (AA). Ensure that the range hood (A) is securely fastened to the cabinet before releasing it.
- If applicable, test the damper to ensure it rotates up and down freely.
- If applicable, connect the duct work to the range hood (A). Seal the joints with duct tape to ensure an airtight fit.

**DANGER:** Turn off the power circuit breaker or the power switch on the junction box before installing this unit. Touching circuitry inside the range hood while it is energized will result in death or serious injury.

**DANGER:** If installing this unit over a gas range, turn off the gas at the source before installing or servicing this unit.

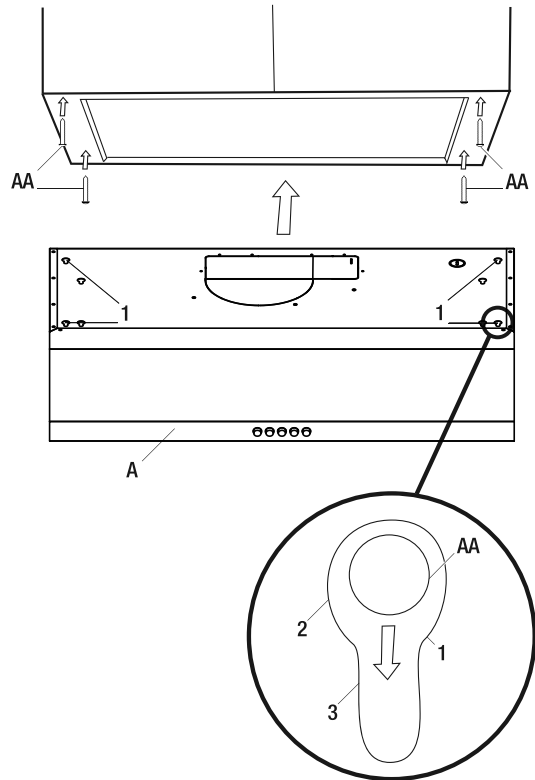


Fig. 14

## B. INSTALLATION USING 1 PERSON INSTALL BRACKETS

### B.1 FRAMELESS CABINET BRACKET INSTALLATION

- Refer to the marking on brackets to determine the correct installation side and orientation.
- Flat end of the bracket with the arrow should face towards you and the notched end should face the wall.

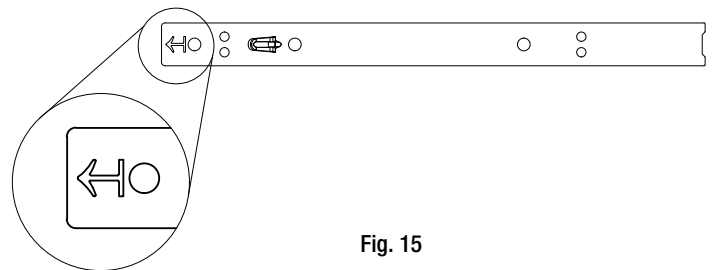


Fig. 15

## Installation (continued)

- Align the bracket against the side edge of the 30 in (762 mm) cabinet and the back wall. Draw a line along inner edge of the bracket as shown in fig. 16-1.
- Slide the bracket inwards and align it against the marked line. Ensure the rear edge is tight against wall as shown in fig. 16-2.
- Use a pencil to mark the location of the 3 center holes as shown in fig. 16-3.
- Set the bracket aside and drill three  $\frac{7}{64}$ " holes in the marked locations as shown in fig. 16-4.
- Secure the bracket to the cabinet using a Phillips screwdriver and 3 supplied countersunk wood screws (EE) as shown in fig. 16-5.

Repeat the above procedure to install the remaining flat bracket on the opposite side of the cabinet.

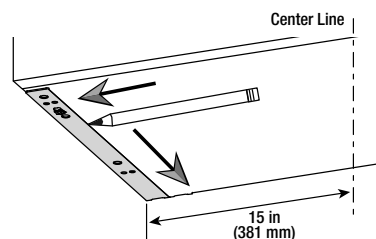


Fig. 16-1

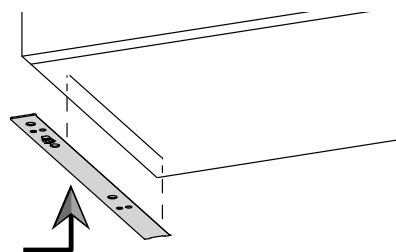


Fig. 16-2

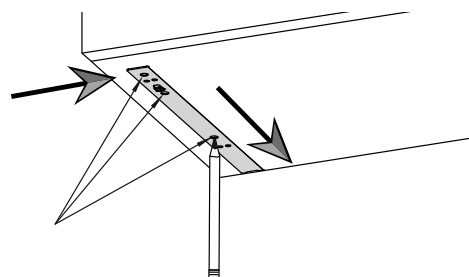


Fig. 16-3

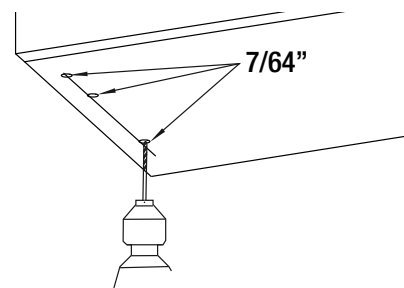
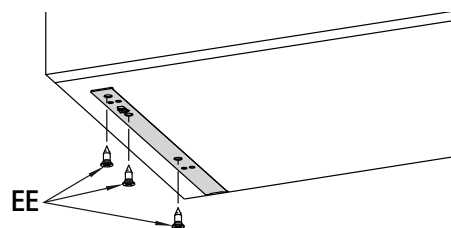


Fig. 16-4



# Installation (continued)

## B.2 FRAMED CABINET BRACKET INSTALLATION

- Refer to the marking on brackets to determine their correct installation side and orientation.
- Flat end of the bracket with the arrow should face towards you and the notched end should face the wall.

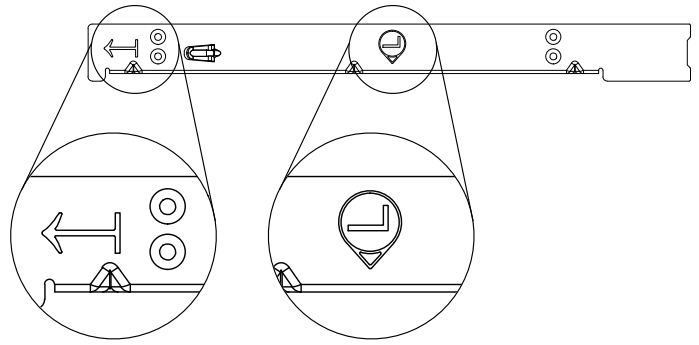


Fig. 17

- Align the bracket against the inside edge of the 30 in (762 mm) cabinet frame and the back wall. Mark the location of 3 holes (out of the available 6 holes) as shown in fig. 18-1.

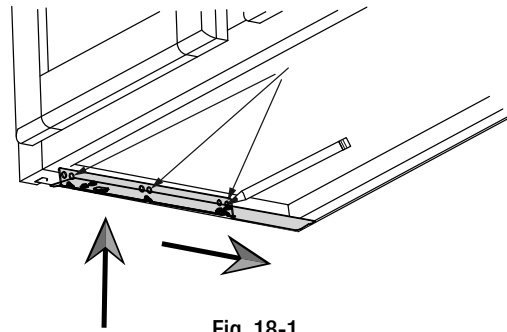


Fig. 18-1

- Set the bracket aside and drill three 7/64" holes in the marked locations as shown in figure 18-2

- Secure the bracket to the side frame using a screwdriver and provided 18mm wood screws (AA). If a given pre-drilled pilot hole has stripped, use the adjacent mounting hole instead.

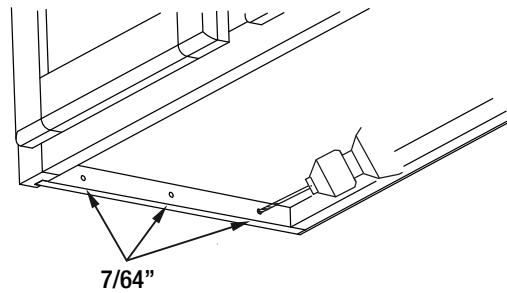


Fig. 18-2

Repeat the above procedure to install the remaining framed cabinet bracket on the opposite side of the cabinet.

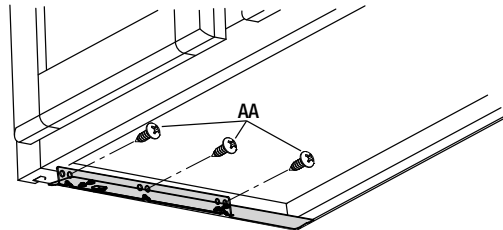


Fig. 18-3

## Installation (continued)

### SECURING THE RANGE HOOD TO THE BRACKETS

**NOTE:**

*The following procedure applies to both frame or frameless cabinet bracket installations.*

- There are 2 pairs of recessed slots in the front and rear of the range hood.
- Rear (R) slots can be used to hold the range hood temporarily in place while making final adjustments to vent and electrical connections.
- Front (F) slots are used to hold the range hood in place to permanently secure it to the cabinet.

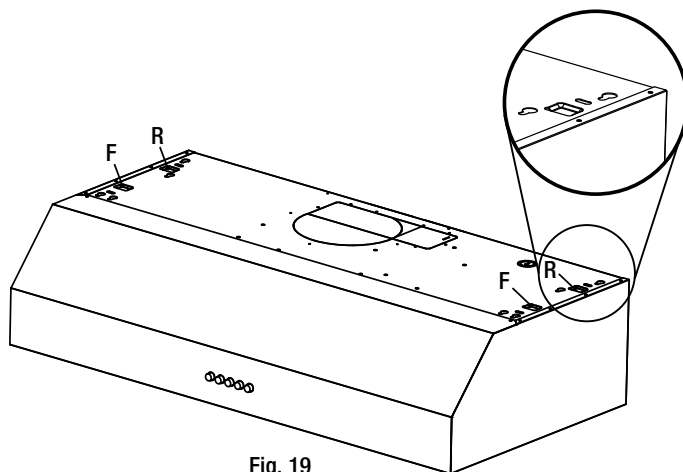


Fig. 19

- Temporarily hang the hood on the rear (R) brackets. While holding the hood check the electrical and duct connections.
- Once the integrity of the connections has been confirmed, remove and hang the range hood in its final location using the front (F) slots.

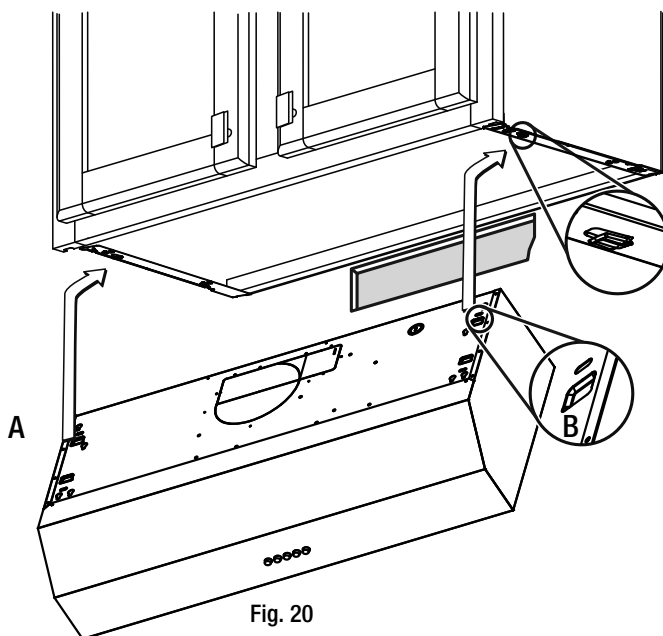


Fig. 20

## Installation (continued)

- Secure the range hood in place using the supplied fasteners.
- Frameless cabinet installation requires four long tapping screws (AA) with washers. Use the two slots on each side to secure the range hood directly to the cabinet shown in figure 21-1.

### FRAMELESS CABINET

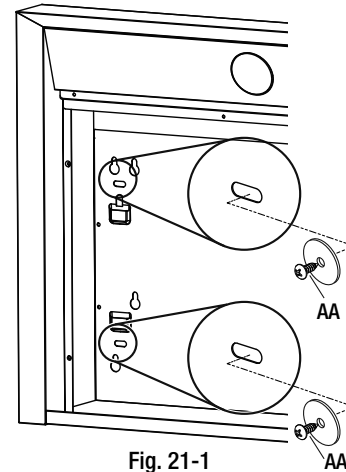


Fig. 21-1

- Framed cabinet installation requires four short tapping screws (BB) with washers. Use the two slots on each side to secure the range hood directly to the metal bracket shown in figure 21-2.

### FRAMED CABINET

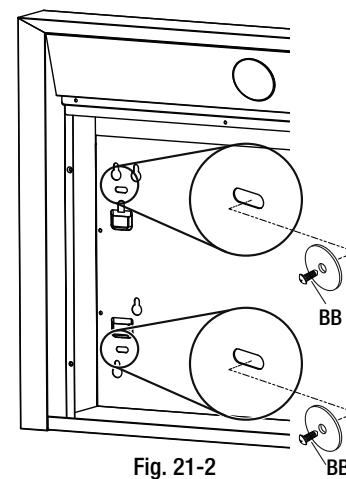


Fig. 21-2

## FINAL INSPECTION

- Inspect all of the electrical and duct connections. Make sure the damper assembly (or round duct adapter) enters the ductwork and that the damper opens and closes freely.
- When satisfied with the installation, reinstall the bottom panel and the filters.
- Restore the power to the range hood and ensure that the lights and fan are operating correctly.

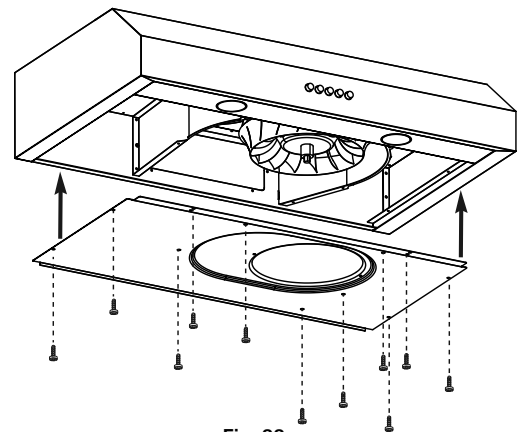


Fig. 22

# Operation

**NOTE:**

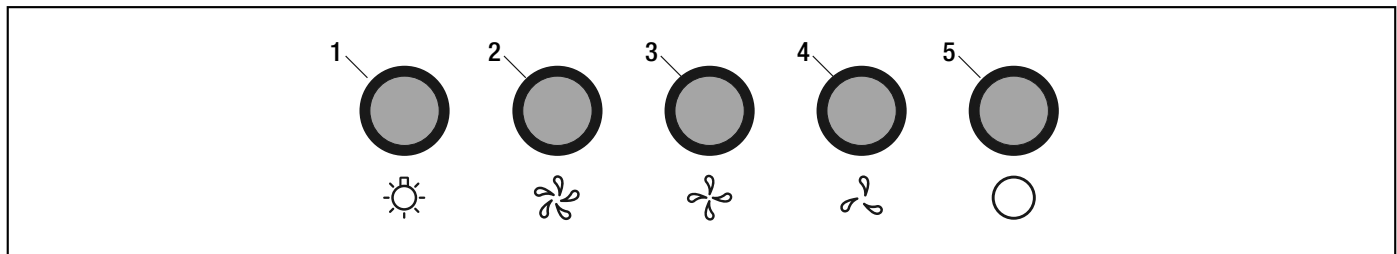
*The fan and lights operate independently of each other.*

## TURNING ON/OFF THE UNIT

- To turn on the fan, press the appropriate speed control switch [Low Speed (4), Medium Speed (3), High Speed (2)] to select the desired level of power. Once a button is pressed, the previous speed mode will be cancelled.
- Press the power switch (5) to turn off the fan.

## TURNING ON/OFF THE LIGHTS

- Press the light switch (1) to turn the lights on or off.





# Maintenance

## REPLACING HYBRID FILTER

Hybrid filters should be cleaned regularly either by hand or in the dishwasher, using a warm and mild dish-washing detergent solution. Replace filters that are damaged with punctures, bends, or broken frames. When filters require replacement, use only genuine replacement filters.



**DANGER:** Turn off the power circuit breaker or the power switch on the junction box before performing maintenance. Touching circuitry inside the range hood while it is energized will result in death or serious injury.



**WARNING:** Failure to replace worn out or damaged filters will increase the risk of fire.

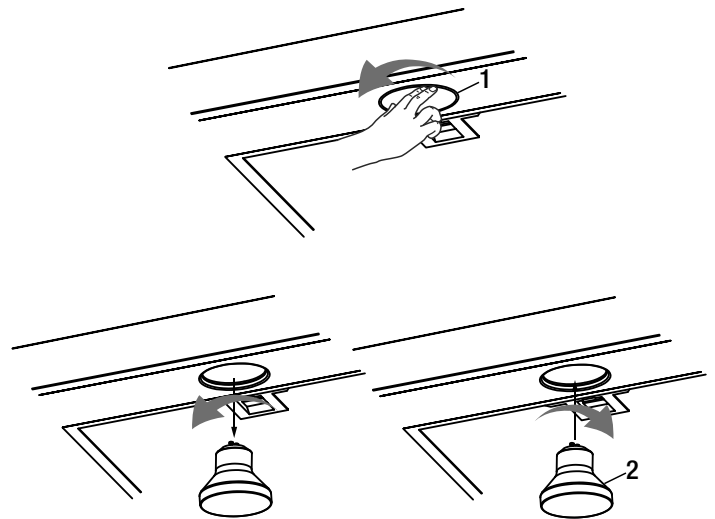
## REPLACING LIGHT BULBS

When light bulbs burn out, replace them with a 5W GU10 base light bulb.

- Turn off the range hood, disconnect it from its power source, and ensure that the lights are cool.
- Turn the bulb (1) in the direction indicated and pull it out to remove it.
- Push in the new bulb (2) in the direction indicated until it locks into the socket. Do not release the bulb until you are sure the bulb has been securely installed. Then reconnect the power.
- If new bulbs do not operate, ensure that they are inserted correctly.



**WARNING:** Light bulbs can become hot when turned on. Do not touch bulbs until they are switched off and cooled. Touching hot bulbs could cause serious burns.



# Care and Cleaning

## RANGE HOOD



**WARNING:** Failure to maintain basic standards of care and cleaning of the range hood will increase the risk of fire.

The range hood should be cleaned regularly (internally and externally) to preserve its appearance and performance.

### Do:

- Always clean in the direction of the grain (original polish lines).
- Clean the range hood periodically with hot, soapy water and a clean cotton cloth.
- Always rinse well with clean water two or three times after cleaning. Wipe completely dry with a soft non-abrasive cloth.
- After cleaning, you may polish with a non-abrasive stainless steel polish or cleaner. Always rub lightly and with the grain
- Ensure that the venting system is free of debris, if you have one.

### Do Not:

- Do not use corrosive or abrasive detergents, steel wool, or scouring pads. These will scratch and damage the stainless steel surface.
- Do not use any products containing chloride, fluoride, iodide, or bromide on this product, as they will deteriorate the surface rapidly.
- Do not allow cleaning compounds, salt solutions, disinfectants, or bleaches to remain in contact with the product for extended periods of time.
- Do not allow any deposits to remain for long periods of time on the range hood. Rinse with water immediately and wipe dry with a clean cloth.
- Do not let plaster dust or any other construction residue enter the hood. During construction or renovation, cover the hood.
- Combustible products used for cleaning such as acetone, alcohol, ether, or benzol are highly explosive and should never be used close to a range or stove.

## FILTERS

The hybrid filters fitted by the factory are intended to filter out residue and grease from cooking. You do not need to replace them on a regular basis, but you should keep them clean.

### Do:

- Clean the hybrid filter once a month using non-abrasive detergents, either by hand or in the dishwasher. When using a dishwasher, set the dishwasher to a low temperature and a short cycle setting. The filter may become discolored in a dishwasher, but this does not affect its performance.
- Allow filters to completely dry before re-installing them in the range hood.

### Do Not:

- Do not allow oil to accumulate over more than 80% of the filter surface. Oil accumulations may drip oil onto the range.

# Troubleshooting



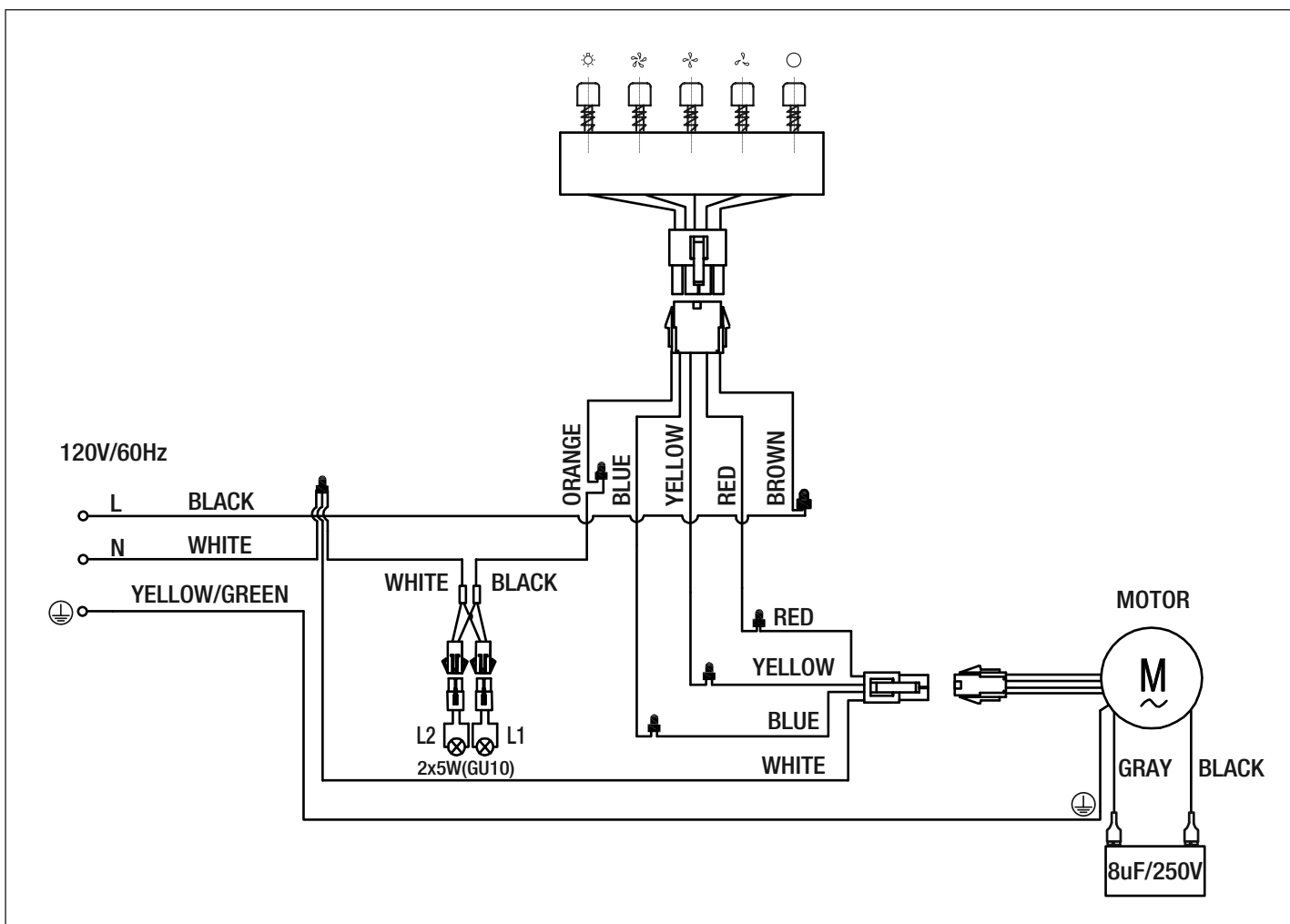
**DANGER:** Turn off the power circuit breaker or the power switch on the junction box before performing maintenance. Touching circuitry inside the range hood while it is energized may result in serious injury or death.

Problem	Solution
The range hood does not operate.	<ul style="list-style-type: none"> <li>- Check that the power supply cable and all electrical wiring are properly connected.</li> <li>- Check that the power is turned on at the junction box or circuit breaker.</li> <li>- Check that the wiring of the control switch is properly connected.</li> </ul>
The range hood vibrates when the fan is operating.	<ul style="list-style-type: none"> <li>- Check that the range hood has been secured properly. Tighten into position, if necessary.</li> <li>- Check that the motor is secured in place. If not, then tighten the motor in place.</li> <li>- Check that the fan is not damaged. If so, replace the fan.</li> </ul>
The fans seem weak.	<ul style="list-style-type: none"> <li>- Check that the duct size used is at least 7 in (177 mm) round. The range hood will not function efficiently with insufficient duct size.</li> <li>- Check that the duct is not clogged with debris and the tight mesh on the wall cap, if applicable, isn't restricting air flow.</li> <li>- Check that the damper unit is opening properly.</li> <li>- Check that no birds or animals have nested in the duct.</li> </ul>
The lights work, but the fan is not spinning, is stuck, or is rattling.	<ul style="list-style-type: none"> <li>- The thermal protection system detects if the motor is too hot to operate and shuts the motor down. In this case, the motor will function properly after the thermal protection system cools down (after approximately 10 min).</li> <li>- Check that the fan isn't jammed or scraping the bottom.</li> <li>- If nothing else works, the motor may be defective or seized. If so, replace the motor.</li> </ul>
The range hood is not venting properly.	<ul style="list-style-type: none"> <li>- Check that no birds or animals have nested in the duct.</li> <li>- Check that the distance between the cooktop and the bottom of the range hood is within the previously recommended distance.</li> <li>- Check that duct work follows all requirements. Use round metal duct work with a uniform diameter of 7 in (177 mm). The length of duct work must not exceed 35 ft (10.7 m). Reduce the length of duct work and the number of elbows if necessary. Ensure that all joints are properly connected, sealed, and taped.</li> <li>- Check that the duct does not open against the wind.</li> <li>- Ensure that the power is on high speed for heavy cooking.</li> <li>- Close all windows nearest to the range hood to eliminate sudden air gusts.</li> <li>- To enhance the performance of the range hood, open slightly a window on the opposite side of the house where the range hood vents outdoors.</li> </ul>
Light(s) do not work.	<ul style="list-style-type: none"> <li>- Check to see if light bulbs are damaged. If so, replace.</li> <li>- Check the light bulbs to see if they are loose. If so, tighten.</li> <li>- Remove the problem bulb and insert one you know is working. If the properly functioning light does not come on, the problem may be the light assembly. Have the light assembly serviced or replaced.</li> </ul>

# Specifications

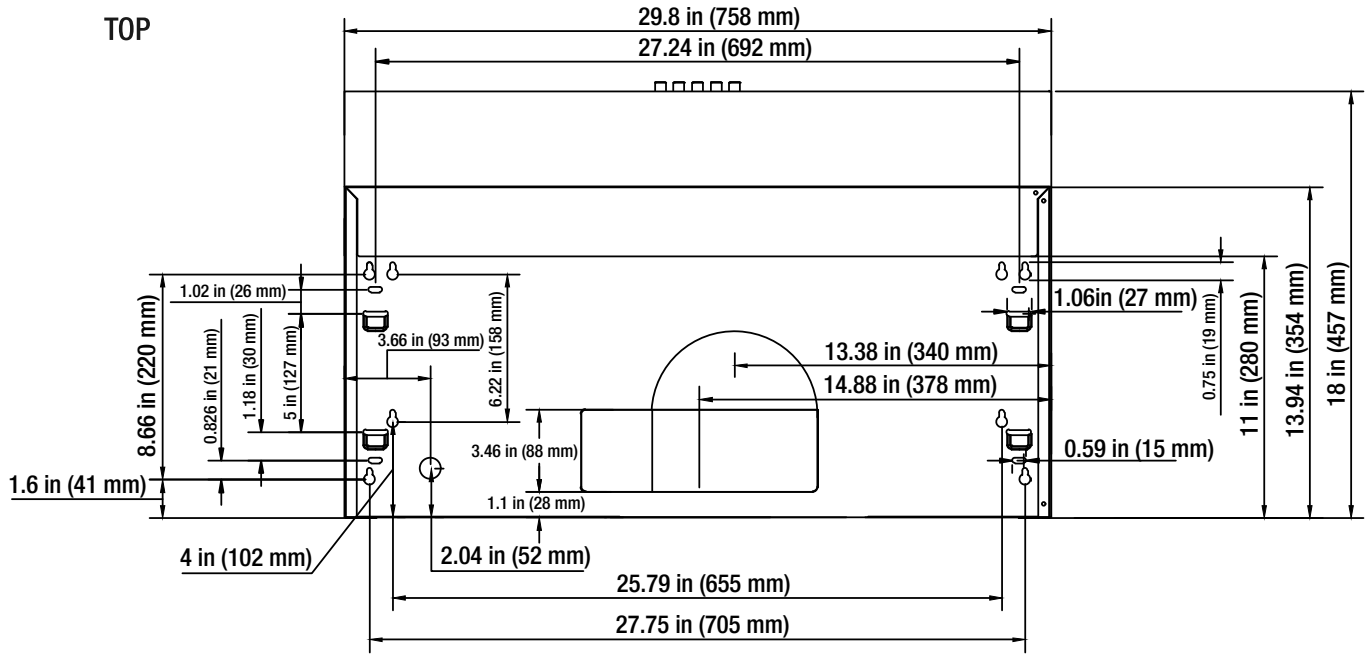
Model	Dimensions	Rating	Control Type	CFM	Speeds	Light Bulb Wattage	Venting Options
QR272S QR272BS	29.8 in (758 mm) W	120V~60Hz 1.5A	Push Button	370 ± 10% MAX	3	2 x 5W LED GU10 base light bulb	Top venting Back venting
	18 in (457 mm) D						
	7 in (178 mm) H						

## WIRING DIAGRAM

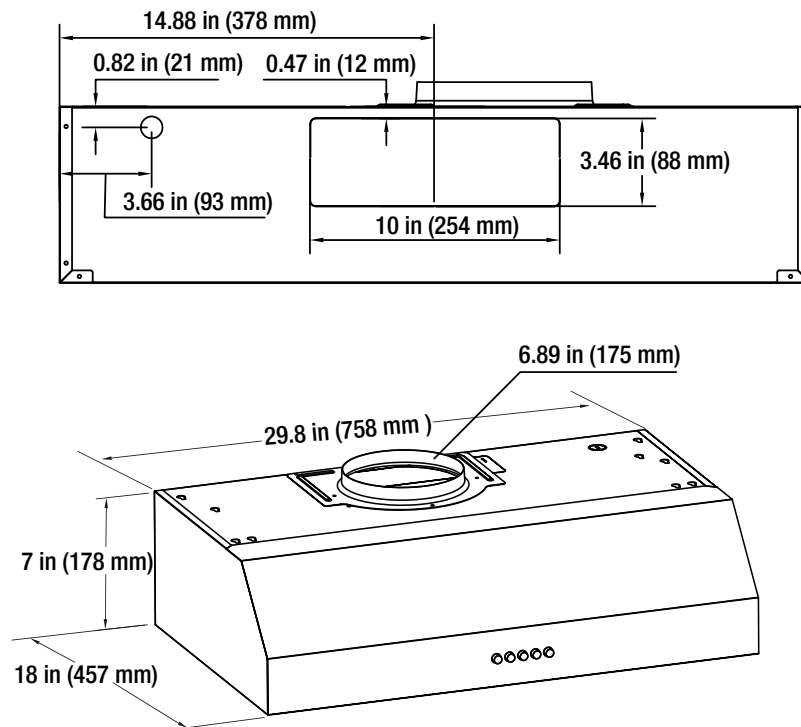


# Specifications (continued)

## EXTERNAL DIAGRAM OF RANGE HOOD

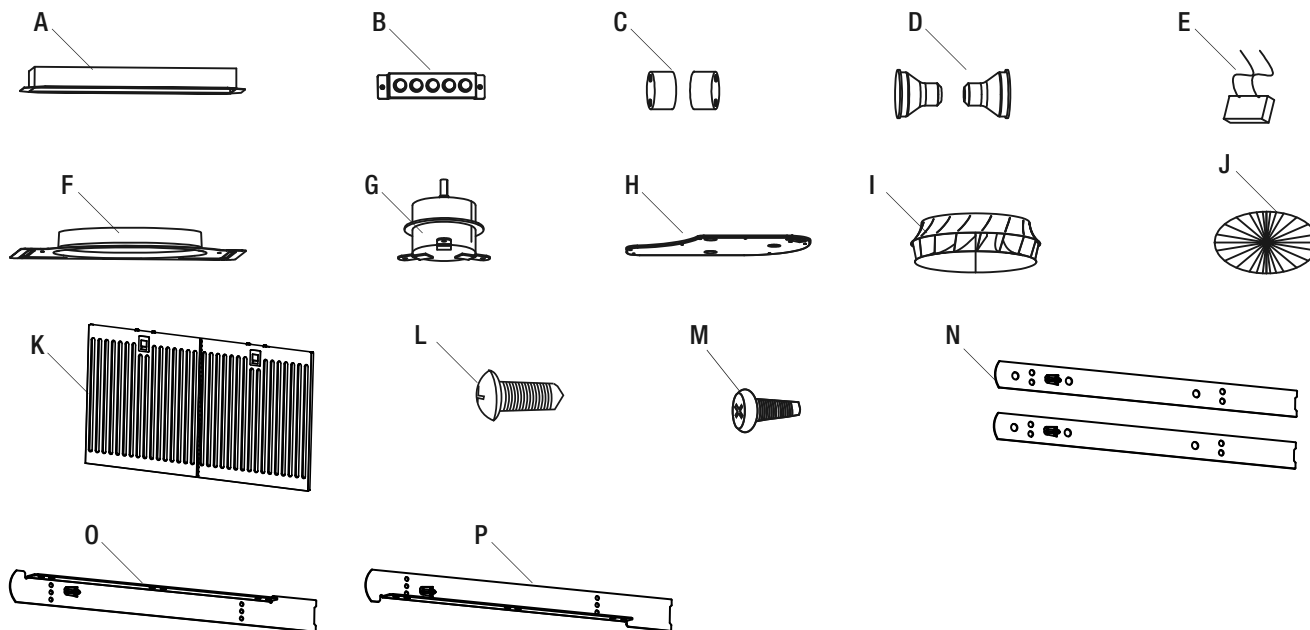


**BOTTOM**



# Service Parts

If you are missing parts or if you require replacement parts, please contact our customer service team at [vissani@conglom.com](mailto:vissani@conglom.com) or 1-888-449-9197 between 8:30 am - 5 pm, EST, Monday - Friday. Identify the required part(s) and have the part number(s) ready.



Part	Description	Code	Quantity
A	Rectangular Damper	QHR186	1
B	Switch	QHR187	1
C	Bulb Holder	QHR223	2
D	LED Bulb	QHR181	2
E	Capacitor	QHR188	1
F	Round Adapter	QHR170	1
G	Motor	QHR243	1
H	Motor Bracket	QHR209	1
I	Blade	QHR219	1
J	Blade Guard	QHR175	1
K	Hybrid Filter	QHR211	2
L	Long Tapping Screws (ST4x18 mm)	QHR178	6
M	Tapping Screws (ST4x10-F-H mm)	QHR179	10
N	Brackets for frameless cabinet	QHR227	2
O	Bracket for framed cabinet-left	QHR228	1
P	Bracket for framed cabinet-right	QHR229	1

# Índice

OWNER'S MANUAL .....	2
Información de seguridad .....	23
Garantía	
Un año de garantía limitada .....	25
Procedimiento de reclamación de garantía .....	25
Preinstalación	
Herramientas/materiales necesarios .....	26
Contenido del paquete .....	27
Accesorios incluidos .....	27
Planificación de la instalación .....	28
Instalación .....	31


Funcionamiento .....	37
Mantenimiento	
Cambio de filtros .....	38
Cambio de bombillas .....	38
Cuidado y limpieza	
Campana extractora .....	39
Filtros .....	39
Solución de problemas .....	40
Especificaciones	
Diagrama de cableado .....	41
Diagrama externo de la campana extractora .....	42
Piezas de refacción .....	43


## Información de seguridad


### LEA Y GUARDE ESTAS INSTRUCCIONES


**Advertencia:** Para reducir el riesgo de incendio, descarga eléctrica o lesiones a las personas, tenga en cuenta lo siguiente:


1. Use esta unidad únicamente de la manera en que fue diseñada por el fabricante. Si tiene alguna pregunta, póngase en contacto con el fabricante.
  2. Antes de darle mantenimiento a la unidad o de limpiarla, apague el suministro eléctrico en el panel de servicio y bloquee el medio de desconexión para evitar que el equipo se encienda accidentalmente. Cuando el medio de desconexión del servicio no se pueda bloquear, adhiera de manera segura un dispositivo visible de advertencia al panel de servicio, tal como un rótulo.
  3. El trabajo de instalación y el cableado eléctrico debe llevarse a cabo por personas calificadas, de acuerdo con todos los códigos y normas aplicables, lo que incluye una construcción calificada a prueba de incendios.
  4. Se necesita una cantidad suficiente de aire para lograr una combustión correcta y el escape de los gases a través del conducto de humos (chimenea) de los equipos que queman combustible para evitar el contratiraje. Siga las especificaciones del fabricante del equipo de calefacción y las normas de seguridad, como las que publica la Asociación Nacional de Protección contra Incendios (National Fire Protection Association, NFPA) y la Sociedad Estadounidense de Ingenieros de Calefacción, Refrigeración y Aire Acondicionado (American Society for Heating, Refrigeration and Air Conditioning Engineers, ASHRAE), así como las que aparecen en los códigos de las autoridades locales.
  5. Al cortar o perforar en una pared o techo, evite dañar el cableado eléctrico u otros materiales ocultos.
  6. Los ventiladores con conductos siempre deben tener salida al exterior.
- ADVERTENCIA: LAS HORNILLAS DE GAS DEBEN VENTILARSE EN EXTERIORES UTILIZANDO, POR LO MENOS, CONDUCTOS METÁLICOS Y CAMPANAS EXTRACTORAS DE CAPACIDAD SUFICIENTE.** Siga las especificaciones del fabricante del equipo quemador de combustible y las normas de seguridad correspondientes, como las que publica la Asociación Nacional de Protección contra Incendios (National Fire Protection Association, NFPA) y la Sociedad Estadounidense de Ingenieros de Calefacción, Refrigeración y Aire Acondicionado (American Society for Heating, Refrigeration and Air Conditioning Engineers, ASHRAE), así como los códigos de las autoridades locales.


 **PELIGRO:** Apague el disyuntor o el interruptor de alimentación en la caja de derivación antes de instalar o dar servicio a esta unidad. No toque los circuitos que se encuentran dentro de la campana extractora mientras está conectada, pues esto puede ocasionar la muerte o una lesión grave.


 **PELIGRO:** Todos los cables eléctricos deben instalarse, aislarse y conectarse a tierra apropiadamente. Si el aislamiento y la conexión a tierra no son adecuados, existe el riesgo de que se produzca una descarga eléctrica mortal.


 **PELIGRO:** Si va a instalar la unidad sobre una estufa de gas, apague la fuente de gas antes de la instalación o de darle mantenimiento a la unidad.


 **ADVERTENCIA:** No intente instalar o dar servicio a esta unidad si no tiene los conocimientos técnicos o de electricidad necesarios, ya que podría sufrir alguna lesión.

 **ADVERTENCIA:** La unidad tiene bordes afilados. Siempre use guantes de seguridad al instalarla, limpiarla o darle mantenimiento.

 **ADVERTENCIA:** Siempre deje los filtros y las rejillas de seguridad en su lugar. Sin estos componentes, cuando los ventiladores están en funcionamiento se puede atorar el cabello, los dedos o la ropa suelta.

 **ADVERTENCIA:** Manténgase lejos del ventilador giratorio cuando el motor esté funcionando.

 **ADVERTENCIA:** Mantenga el dispositivo limpio y sin grasa ni acumulación de residuos en todo momento para evitar incendios.

 **PRECAUCIÓN:** El uso de este dispositivo debe ser únicamente para ventilación. No lo utilice para expulsar materiales y vapores peligrosos o explosivos.

## INFORMACIÓN DE SEGURIDAD AL COCINAR

1. Nunca deje la campana de extracción sin supervisión cuando esté funcionando.
2. Nunca cocine sobre llamas abiertas debajo de la campana de extracción.
3. Siempre encienda la campana extractora cuando cocine con fuego alto o cuando cocine alimentos flameados.
4. La distancia mínima de instalación por encima de la estufa (D) es de 18 pulgadas (458 mm). Tenga especial cuidado, ya que la superficie de la campana podría estar extremadamente caliente al tacto si la estufa estuvo funcionando con fuego alto durante un periodo largo.
5. Tenga cuidado al cocinar con aceite o al freír con una freidora. El sobrecalentamiento puede ocasionar que el aceite alcance su punto de ignición y se incendie. El aceite usado se incendia a temperaturas inferiores que el aceite nuevo. Caliente los aceites lentamente fijando el control a una temperatura baja o media.
6. No permita que los líquidos se derramen cuando los hierva, ya que pueden ocasionar humos y derrames grasosos que pueden incendiarse.
7. Para evitar quemaduras o incendios, siempre use el equipo de cocina apropiado para el tamaño de la hornilla o quemador que use.
8. En caso de que haya fuego al cocinar, siga las indicaciones que presentamos a continuación:
  - Tenga cuidado para no quemarse.
  - Sofoque las llamas con una tapa que cierre herméticamente, con una lámina para hornear galletas o una bandeja metálica; posteriormente, apague el hornillo o quemador. Si las llamas no se apagan de inmediato, evacue y llame a los bomberos.
  - Nunca levante una sartén en llamas.
  - No use agua, trapos de cocina húmedos ni toallas, ya que puede ocasionar una explosión de vapor.
  - Use un extintor únicamente si: (a) es tipo ABC y sabe cómo manejarlo, (b) el fuego es pequeño y está contenido en el área donde comenzó, (c) si ya llamó al departamento de bomberos y (d) puede extinguir el incendio con su espalda orientada hacia a la salida.



**ADVERTENCIA:** Para reducir el riesgo de incendio, utilice sólo ductos metálicos. Nunca utilice ductos de plástico.



**ADVERTENCIA:** Para reducir el riesgo de incendio o descarga eléctrica, no use esta campana con ningún dispositivo externo de control de velocidad de estado sólido.



**PRECAUCIÓN:** El único uso de este dispositivo debe ser de ventilación. No use los ventiladores de la campana extractora para expulsar vapores peligrosos o explosivos.



**PRECAUCIÓN:** Nunca tire cenizas de cigarrillo, sustancias inflamables ni objetos externos en los ventiladores.



**PRECAUCIÓN:** Para reducir el riesgo de incendio y dejar escapar el aire de manera adecuada, asegúrese de conducir el aire hacia el exterior, no dirija el aire de escape hacia las paredes o techos, espacios cerrados, áticos, entrepisos ni cocheras.

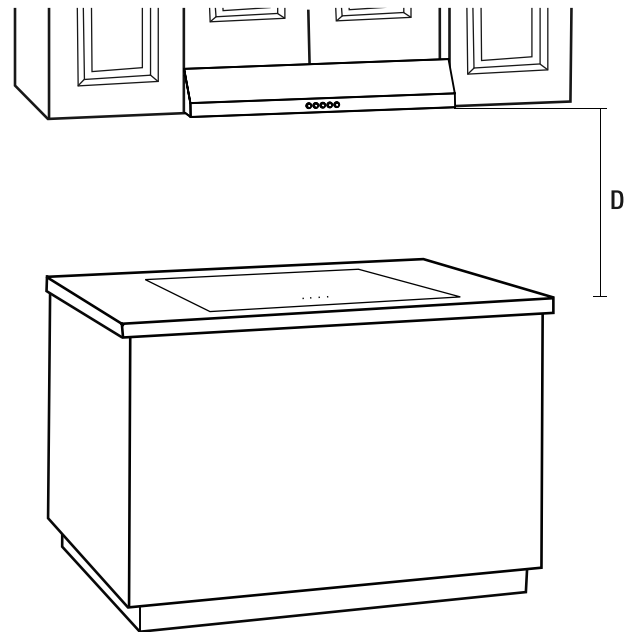


Fig. 1

## INFORMACIÓN DE SEGURIDAD PARA LIMPIEZA

1. El ventilador y los filtros deben limpiarse periódicamente y mantenerse libres de acumulación de los residuos generados al cocinar. Los filtros viejos y desgastados deben ser reemplazados de inmediato.
2. Nunca desarme las partes que van a limpiarse. Las partes deben ser desarmadas únicamente por personal calificado.



## UN AÑO DE GARANTÍA LIMITADA

Se debe realizar una inspección a conciencia antes de la instalación y reportar inmediatamente cualquier daño. No nos hacemos responsables por fallos o daños que pudieran haberse descubierto o evitado con una inspección y pruebas adecuadas antes de la instalación.

Vissani garantiza este producto contra defectos en materiales y de fabricación durante 1 (un) año a partir de la fecha de compra. Es necesario que el comprador original entregue a Vissani el comprobante de compra (recibo original) para todos los reclamos relacionados con la garantía.

Esta garantía no es transferible y será anulada si la unidad se quita del lugar donde se instaló inicialmente o si no se instala de acuerdo con las instrucciones del fabricante. La garantía no se aplica en caso de daños en el producto debidos al uso de piezas distintas a los repuestos originales (las piezas de repuesto se pueden obtener enviando un correo electrónico a [vissani@conglom.com](mailto:vissani@conglom.com) o llamando al 1-888-449-9197 entre las 8:30 am. y las 5:00 pm, hora del Este), a los errores de instalación, el maltrato, el uso indebido y el cuidado y mantenimiento inapropiados (sin importar si los realiza un plomero, contratista, proveedor de servicios o familiar del comprador). La garantía no incluye los daños debidos a condiciones agresivas del aire o el agua, ni al uso de limpiadores o materiales fuertes o abrasivos.

Bajo ninguna circunstancia seremos responsables de lesiones físicas o daños a la propiedad que sean consecuencia de una instalación o uso inapropiados de este producto. No seremos responsables por inconvenientes ocasionados por pérdida de uso de este producto, costos incurridos en materiales, retiro e instalación de unidades de reemplazo, ni ningún otro daño incidental o consecuente. Los costos relacionados con la obtención de acceso para la reparación o el reemplazo son responsabilidad del usuario.

Nuestra obligación se limita a la reparación o reemplazo de una unidad (a nuestra discreción) cuando pueda comprobarse, únicamente al examinarla nosotros, que tiene defectos en circunstancias de uso y servicio normal durante el periodo de garantía.

Cualquier fallo de este producto que no sea identificable como un defecto en materiales o de fabricación no estará cubierto por esta garantía. Los aspectos que no se pueden garantizar incluyen, entre otros:

- Instalación indebida sin seguir las instrucciones del fabricante.
- Abolladuras y/o rayones ocasionados durante el transporte, el manejo o la instalación.
- Cambio en el color o acabado debido al uso de productos químicos.
- Daños ocasionados por no seguir las pautas de cuidado y limpieza, incluyendo daños ocasionados por el uso de limpiadores abrasivos.
- Alteraciones hechas a la unidad por parte del comprador o instalador.
- Daños ocasionados por golpes accidentales, incendios, inundaciones, congelamiento y por el desgaste normal.
- Dobleces y deformaciones causados por conexiones forzadas, accesorios demasiado apretados y soporte inadecuado durante la instalación.
- Cualquier daño en las bombillas.

## PROCEDIMIENTO DE RECLAMACIÓN DE GARANTÍA

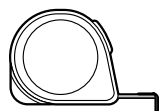
Si ocurre un defecto por el que se pueda presentar una reclamación o si se necesitan repuestos, póngase en contacto con nuestro equipo de servicio al cliente escribiendo a [vissani@conglom.com](mailto:vissani@conglom.com) o llamando al teléfono 1-888-449-9197 entre las 8:30 a. m. y las 5:00 p. m., hora del Este, de lunes a viernes.

Antes de llamar para presentar una reclamación, asegúrese de tener a la mano:

- El número o la descripción del modelo.
- El comprobante de compra.
- Los detalles del defecto y/o el número de pieza.
- Nombre(s) y domicilio(s) del propietario o el instalador.

# Preinstalación

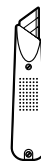
## HERRAMIENTAS/MATERIALES NECESARIOS (NO INCLUIDOS)



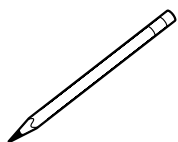
Cinta métrica



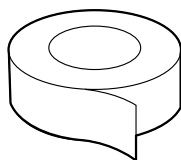
Nivel



Navaja



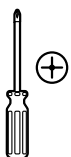
Lápiz



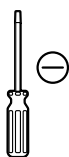
Cinta aislante  
certificada



Llave inglesa



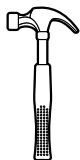
Destornillador de  
estrella (Phillips)



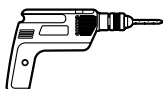
Destornillador  
plano



Pinzas de punta



Martillo



Taladro eléctrico



Gafas de  
seguridad

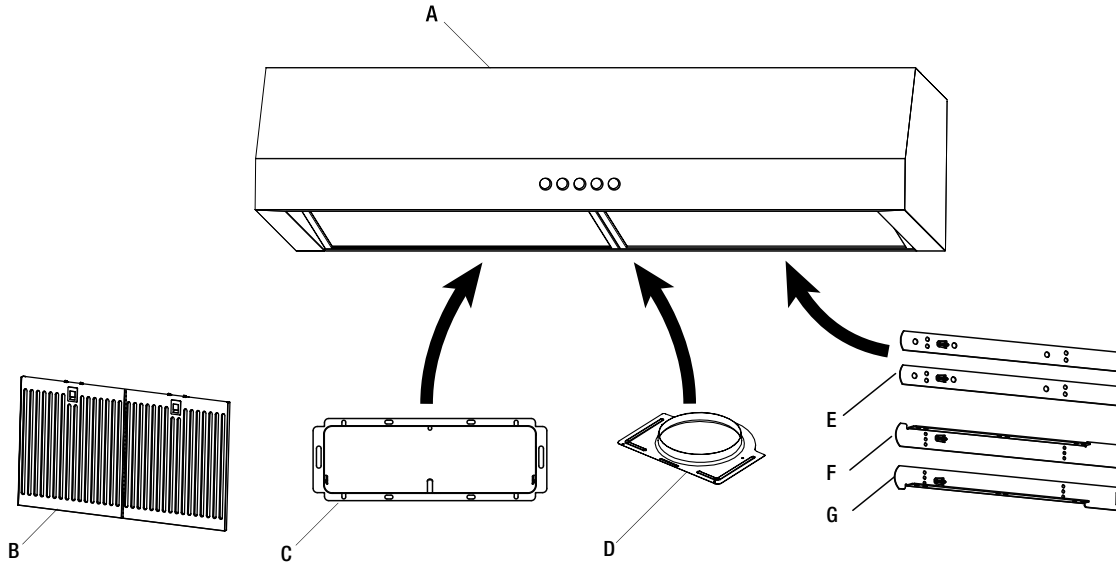


Guantes de seguridad

# Preinstalación (continuación)

## CONTENIDO DEL PAQUETE

Verifique cuidadosamente que la campana de extracción no tenga daños y que no falten partes antes de la instalación. Si hay algún daño o faltan partes, no prosiga con la instalación. Reporte de inmediato los daños y las partes faltantes. No deseche el empaque antes de que esté satisfecho con su nueva campana de extracción.

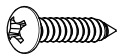


Pieza	Descripción	Cantidad
A	Campana extractora	1
B	Filtros híbridos	2
C	Regulador rectangular (ubicado dentro de la campana)	1
D	Adaptador redondo (ubicado dentro de la campana)	1
E	Soportes para alacena sin marco (dentro de la campana)	2
F	Soporte para alacena con marco-izquierdo (dentro de la campana)	1
G	Soporte para alacena con marco-derecho (dentro de la campana)	1

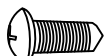
## ACCESORIOS INCLUIDOS

### NOTA:

Las imágenes no representan el tamaño real de las piezas.



AA



BB



CC



DD



EE

Pieza	Descripción	Cantidad
AA	Tornillos de rosca largos (ST4x18mm)	6
BB	Tornillos de rosca cortos (ST4x10-F-Hmm)	10
CC	Conectores de cables	2
DD	Junta	4
EE	Tornillo de madera avellanado (4x10mm)	6

# Preinstalación (continuación)

## PLANIFICACIÓN DE LA INSTALACIÓN

Número de personas necesarias: 1

1. Antes de comenzar la instalación, mida todas las distancias para asegurarse de la posición adecuada de la campana extractora (A).

- La distancia (1) entre la superficie de cocción y la campana debe ser de al menos 17 pulgadas (458 mm). Si la estufa indica una distancia distinta, tome en cuenta la distancia que sea mayor. Para un mejor rendimiento, esta distancia (1) no debe exceder las 25 pulgadas (635 mm).
- La dimensión (2) debe ser de al menos 30 pulgadas (762 mm). La campana debe ser de aproximadamente el mismo tamaño que la superficie de cocinado.

2. Si la parte inferior de la alacena (3) situada encima del lugar donde se instalará la campana extractora está hueca, sujete tiras de relleno de madera del tamaño apropiado (4) en cada lado usando tornillos para madera o los soportes de instalación proporcionados para las alacenas con marco.

3. Se proporcionan tornillos para asegurar la campana extractora a la mayoría de tipos de alacenas, pero consulte con un instalador calificado para verificar que los tornillos suministrados sean los correctos para sus alacenas.

4. Coloque una protección gruesa sobre su cubierta, parrillas y estufa, para evitar que se dañen o se empolven durante la instalación. Retire cualquier objeto peligroso del área.



**ADVERTENCIA:** Siempre use gafas y guantes de seguridad durante la instalación.

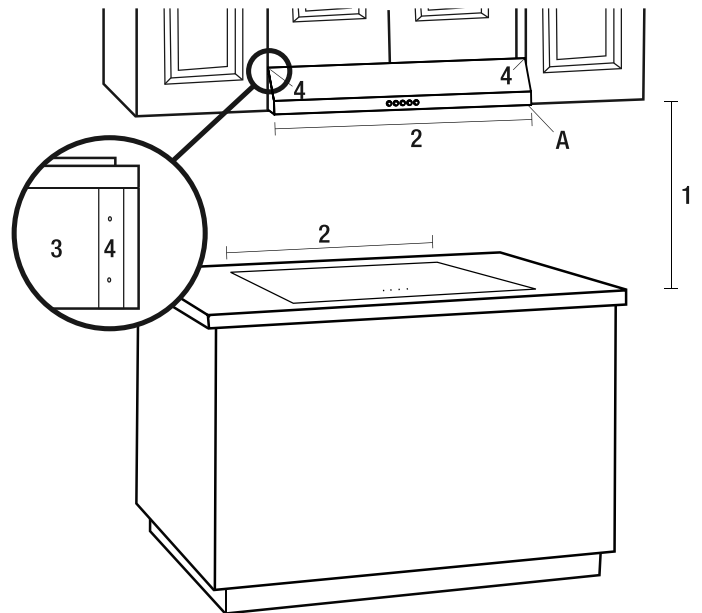


Fig. 2

## OPCIONES DE VENTILACIÓN:

- a. Determine si su sistema de ventilación existente es de ventilación en la parte superior o posterior, y asegúrese de que las aberturas en la alacena o en la pared para el regulador y para la alimentación eléctrica estén en un lugar adecuado y sean del tamaño apropiado, de acuerdo con la Fig. 3 si es ventilación superior, y con la Fig. 4 si es ventilación posterior. Para la ventilación en superior (Fig. 3), si utiliza un regulador redondo, la abertura debe ser A y B, únicamente. Si utiliza un regulador rectangular, la abertura debe ser B y C, únicamente.
- b. Si es una nueva instalación, escoja el método de ventilación que se adecue a sus necesidades. Corte las aberturas para el regulador y el acceso de la alimentación eléctrica en la parte inferior o posterior de la alacena, dependiendo de la dirección seleccionada para la ventilación.

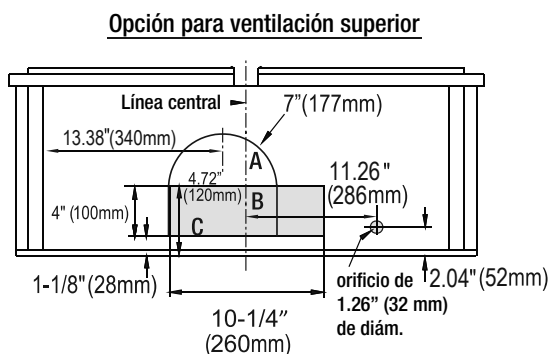


Fig.3

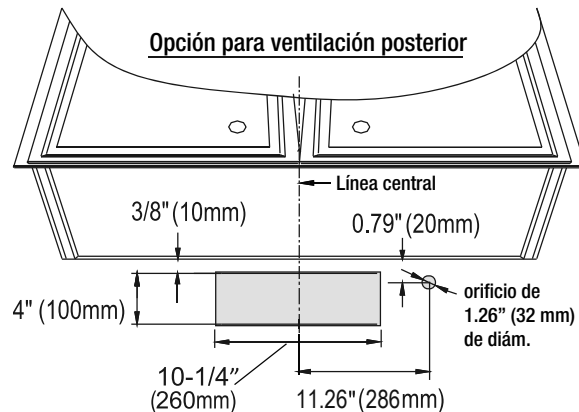


Fig.4

# Preinstalación (continuación)

## SIGA ESTAS PAUTAS CUANDO INSTALE LOS DUCTOS:

- Su sistema de ventilación debe sacar el aire hacia el exterior, ya sea horizontalmente a través de la pared trasera (13) o verticalmente a través del techo (14) (consulte las figuras 5, 6 y 7).
- Utilice un ducto metálico redondo con un diámetro uniforme de 7 pulgadas (177 mm). La extensión total de los ductos en el sistema de ventilación no debe superar los 35 pies (10.7 m).
- Calcule la longitud efectiva total de los ductos sumando las longitudes equivalentes en la tabla que se muestra a continuación (Fig. 9). Por cada accesorio que utilice, sume la longitud del ducto recto utilizado en el sistema.
- Ajuste todas las conexiones de los ductos con tornillos para lámina metálica y aplique cinta específica para ductos en todas las juntas.
- Si es indispensable que los ductos den la vuelta por medio de codos, mantenga el número de codos al mínimo para que el desempeño sea efectivo, y no use más de tres codos de 90°. Asegúrese de que haya un mínimo de 18 pulgadas (458 mm) de tubo recto entre cada codo. Coloque los codos tan lejos como sea posible de la apertura de escape de la campana de extracción.
- Coloque una tapa en el ducto exterior con una cubierta para pared (15) o una tapa para techo (16). Nunca use tapas para pared tipo lavandería de 4 pulgadas (102 mm). Utilice masilla a prueba de agua para sellar la apertura exterior de la pared o el techo alrededor de la tapa.
- El sistema de ventilación debe tener un regulador. Si la tapa para techo o pared tienen un regulador, no use el regulador suministrado con la campana extractora.

Ventilación horizontal a través de la pared

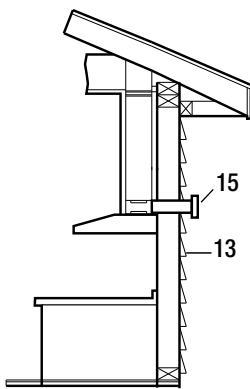


Fig.5

Ventilación horizontal a través de la pared

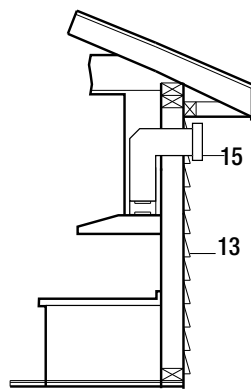


Fig.6

Ventilación vertical a través del tejado

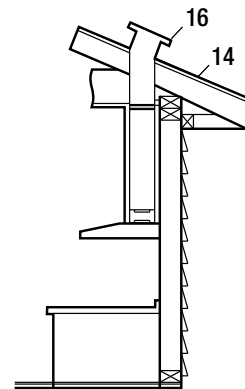


Fig.7

Gráfica de longitud equivalente

Tipo de ducto	Longitud añadida
Codo de 45°	3 pies (0.91 m)
Codo de 90°	5 pies (1.52 m)
Codo plano de 90°	12 pies (3.66 m)
Tubo recto de 9 pies (2.74 m)	9 pies (2.74 m)
Tapa de pared	0 pies (0 m)

Fig. 8

# Preinstalación (continuación)

## REQUISITOS DE CONEXIÓN DE LOS CABLES

El trabajo de instalación y el cableado eléctrico deberán realizarlos personas calificadas de acuerdo con todos los códigos y normas aplicables, lo cual incluye una instalación contra incendios.

### CUMPLA CON TODOS LOS CÓDIGOS Y NORMAS VIGENTES

- Este extractor de aire requiere una conexión eléctrica a tierra. Consulte a un electricista calificado si no está seguro de que el extractor de aire esté correctamente conectado a tierra.
- Si no se siguen los requisitos eléctricos, se podría producir un incendio.
- Un fusible en el circuito neutro o de conexión a tierra podría provocar una descarga eléctrica.
- Si la tubería de agua caliente/fría está interrumpida por juntas plásticas no metálicas o por otros materiales, NO la utilice para la conexión a tierra.
- NO CONECTE A TIERRA CON UNA TUBERÍA DE GAS.

**IMPORTANTE:** Es responsabilidad del cliente comunicarse con un instalador eléctrico calificado y asegurarse de que la instalación eléctrica sea adecuada y cumpla con el Código Eléctrico Nacional, o con las normas de la CSA y todos los demás códigos y normas locales.

1. Guarde las instrucciones de instalación para que las use el inspector eléctrico.
2. Si los códigos lo permiten y se utiliza un cable separado de conexión a tierra, se recomienda que un electricista calificado determine si el camino de conexión a tierra es el adecuado.
3. NO utilice ningún cable de extensión ni un enchufe adaptador con este dispositivo.
4. El extractor de aire debe conectarse únicamente con cables de cobre.
5. El extractor de aire deberá conectarse directamente a la caja de derivación (o al disyuntor) por medio de cables de cobre flexibles, blindados o recubiertos con un material no metálico. Deje un poco suelto el cable para poder mover el dispositivo en caso de que sea necesario darle mantenimiento en algún momento.
6. Deberá proporcionarse un conector de conductor listado por UL o aprobado por CSA en cada extremo del cable de suministro eléctrico (en el extractor de aire y en la caja de derivación).
7. Al hacer la conexión eléctrica, corte un orificio de 1-1/4 pulg. (3.2 cm) en la pared. Deberá lijarse un orificio cortado en la madera hasta que quede liso. El orificio deberá tener un ojal a través del metal.
8. Al cortar o perforar la pared o el techo, no dañe el cableado eléctrico ni ningún material oculto.
9. El tamaño del cable debe cumplir con todos los códigos y normas locales. Los requerimientos de la última edición del Código Eléctrico Nacional (National Electrical Code) ANSI/NFPA 70 o la última edición de las normas de la CSA C22.1-94, o el Código Eléctrico Canadiense (Canadian Electrical Code) Parte 1 y C22.2 N.º 0-M91.



**PELIGRO:** Riesgo de descarga eléctrica. Esta campana extractora debe estar conectada correctamente.



**PELIGRO:** Apague el disyuntor de alimentación o el interruptor de alimentación que se encuentran en la caja de derivación antes de instalar esta unidad. No toque los circuitos que se encuentran dentro de la campana extractora mientras está conectada, pues esto puede ocasionar la muerte o una lesión grave.

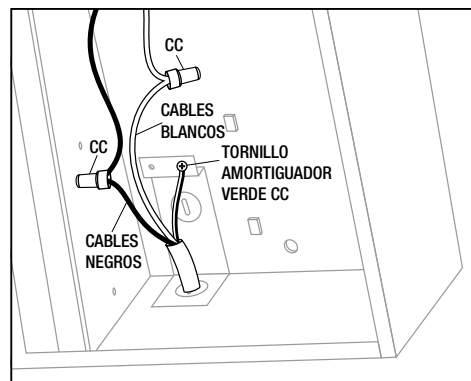


**PELIGRO:** Todos los cables eléctricos deben instalarse, aislarse y conectarse a tierra apropiadamente. Si el aislamiento y la conexión a tierra no son adecuados, existe el riesgo de que se produzca una descarga eléctrica mortal.

### NOTA:

*Conecte provisionalmente los cables de la campana extractora para comprobar si funciona correctamente. Si la campana extractora no funciona correctamente, no continúe con la instalación.*

- Retire el panel inferior de la campana extractora (consulte la Fig. 13) para acceder a los cables de conexión eléctrica.
- Use el cable de alimentación para conectar la campana de extracción (A) directamente a la caja de derivación o la caja de disyuntores. Use únicamente un cable flexible, reforzado o de cobre con cubierta no metálica. Nunca utilice un cable de extensión ni un enchufe adaptador.
- Conecte un conector conductor listado por UL o aprobado por CSA a cada extremo del cable de alimentación eléctrica (en la campana extractora y en la caja de derivación). Conecte los 2 cables de color de la campana de extracción (A) a los cables correspondientes de la fuente eléctrica: negro a negro (vivo), blanco a blanco (neutral) y el cable a tierra doméstico al tornillo verde a tierra. Utilice el orificio superior (1) o el posterior (2) de la campana de extracción, como se muestra en la Fig. 10, dependiendo de su tipo de instalación.
- Encienda la alimentación y asegúrese de que todas las luces y el ventilador funcionen correctamente.
- Una vez que haya probado la conexión eléctrica, desconecte el cable de alimentación eléctrica y los cables de la fuente eléctrica antes de proceder con el resto de la instalación.



# Instalación

**ADVERTENCIA:** LAS HORNILLAS DE GAS DEBEN VENTILARSE EN EXTERIORES UTILIZANDO, POR LO MENOS, CONDUCTOS METÁLICOS Y CAMPANAS EXTRACTORAS DE CAPACIDAD SUFICIENTE. Siga las especificaciones del fabricante del equipo quemador de combustible y las normas de seguridad correspondientes, como las que publica la Asociación Nacional de Protección contra Incendios (National Fire Protection Association, NFPA) y la Sociedad Estadounidense de Ingenieros de Calefacción, Refrigeración y Aire Acondicionado (American Society for Heating, Refrigeration and Air Conditioning Engineers, ASHRAE), así como los códigos de las autoridades locales.

## CÓMO RETIRAR EL AGUJERO ELÉCTRICO DE MONTAJE TROQUELADO



**ADVERTENCIA:** Siempre use gafas y guantes de seguridad durante la instalación.

- Escoja el agujero eléctrico de montaje troquelado apropiado que va a retirar de acuerdo con su tipo de instalación. Utilice el orificio superior (1) si el suministro eléctrico está en la alacena, y el orificio posterior (2) si el suministro eléctrico está en la pared que se encuentra debajo de la alacena (consulte la Fig. 9).
- Utilice un martillo y un destornillador plano para retirar con suavidad el agujero eléctrico de montaje troquelado.
- Use un dispositivo de alivio de tensión aprobado para asegurarse de que el agujero de montaje troquelado no dañe el aislamiento del cable de suministro eléctrico.

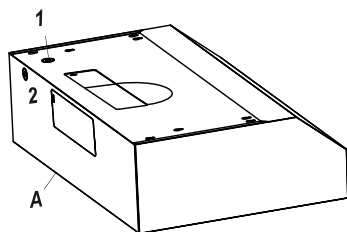


Fig. 9

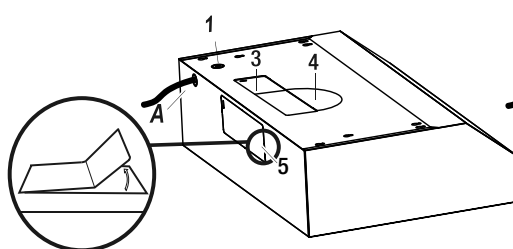


Fig. 10

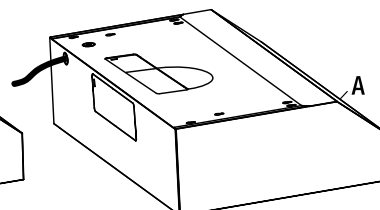


Fig. 11

## CÓMO RETIRAR EL ORIFICIO PARA VENTILACIÓN

- Escoja el orificio de ventilación para su tipo de instalación. Utilice los orificios superiores (3 y 4) para una instalación de ventilación ubicada en la parte superior y el orificio posterior (5) para una instalación de ventilación ubicada en la parte posterior. Consulte la sección de Instalación del regulador para obtener más información.
- Con cuidado, retire la cubierta (3, 4 o 5) de la abertura de ventilación adecuada con ayuda de un destornillador plano y unas pinzas de punta (consulte la Fig. 10). Tenga cuidado de no dejar restos dentro de la campana extractora (A).

## INSTALACIÓN DEL REGULADOR (OMITA ESTE PASO SI ESTÁ UTILIZANDO VENTILACIÓN EN INTERIORES)

### NOTA:

Sólo instale el regulador si usted usa un sistema de ventilación que no cuente ya con un regulador. Si esta campana reemplaza a una unidad existente, la ubicación de la salida de aire puede variar de un fabricante a otro. Asegúrese de que el regulador embone en la abertura existente antes de instalarlo.

- El regulador y el adaptador se encuentran dentro de la campana extractora. Para acceder a estas piezas, retire el panel inferior (K) si no lo ha hecho anteriormente (vea la Fig. 12).
- Escoja instalar el regulador (C) ya sea en la posición superior (3A & B) para ventilación superior o posterior (5) para ventilación posterior. El adaptador (D) se usa solo para ventilación superior y se instala en las posiciones 3A y 4.
- Fije el regulador (C) o adaptador (D) sobre el agujero de montaje troquelado elegido. Asegúrese de que el pivote del regulador esté orientado en la parte superior de manera que el regulador permanezca cerrado cuando no esté en uso.
- Atornille el regulador (C) o el adaptador (D) en la campana extractora (A) con los tornillos de rosca cortos (BB).
- Selle el regulador (C) o el adaptador (D) a la campana de extracción (A) en los cuatro lados con cinta para ductos.

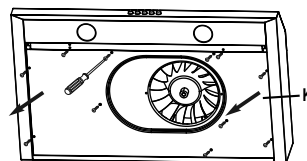


Fig. 12

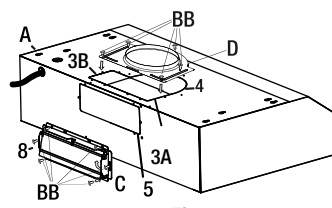
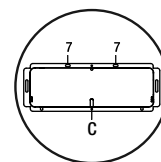
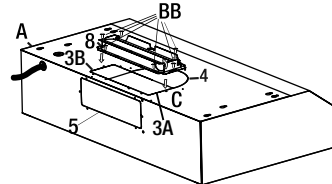
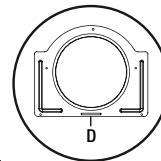


Fig. 13



# Instalación (continuación)

## NOTA:

Esta campana extractora puede instalarse en la alacena utilizando los soportes de instalación suministrados o sin ellos.

## A. INSTALACIÓN SIN SOPORTES DE MONTAJE

Si está instalando esta campana extractora en una alacena empotrada, instale un espaciador de 3 pulgadas de ancho en cada lado de la alacena para llenar el vacío de modo que la campana extractora pueda fijarse de manera segura en la alacena.

Levante hacia arriba la campana extractora (A) por debajo de la alacena para determinar su posición final. Marque la ubicación de las cuatro ranuras de montaje tipo cerrojo (1) en la parte de abajo de la alacena.

- Ponga la campana extractora (A) a un lado en una superficie protectora.
- Taladre cuatro orificios piloto en las ubicaciones que marcó.
- Atornille los cuatro tornillos de rosca largos (AA) en los orificios piloto. No apriete totalmente los tornillos: deje las cabezas a aproximadamente 0.28 pulgadas (7 mm) de la superficie de la alacena.
- Levante la campana de extracción (A) hasta su posición, introduciendo el cable de alimentación y los cables eléctricos a través de la apertura de acceso de la alimentación eléctrica. Permita que los cables tengan suficiente holgura, de modo que pueda mover el dispositivo en caso de que sea necesario realizar labores de mantenimiento.
- Coloque la campana de extracción (A) de modo que el extremo grande (2) de las ranuras de montaje tipo cerrojo (1) estén sobre los tornillos (AA). A continuación, empuje la campana de extracción (A) hacia la pared de modo que los tornillos (AA) estén en el cuello (3) de las ranuras tipo cerrojo. Apriete los tornillos (AA). Asegúrese de que la campana de extracción (A) esté fijada de manera segura a la alacena antes de liberarla.
- En caso necesario, compruebe el funcionamiento del regulador para asegurarse de que gira hacia arriba y hacia abajo con libertad.
- En caso necesario, conecte los ductos a la campana de extracción (A). Selle las juntas con cinta para ductos para asegurar un ajuste hermético.

**PELIGRO:** Apague el disyuntor de alimentación o el interruptor de alimentación que se encuentran en la caja de derivación antes de instalar esta unidad. No toque los circuitos que se encuentran dentro de la campana extractora mientras está conectada, pues esto puede ocasionar la muerte o una lesión grave.

**PELIGRO:** Si va a instalar la unidad sobre una estufa de gas, apague la fuente de gas antes de la instalación o de darle mantenimiento a la unidad.

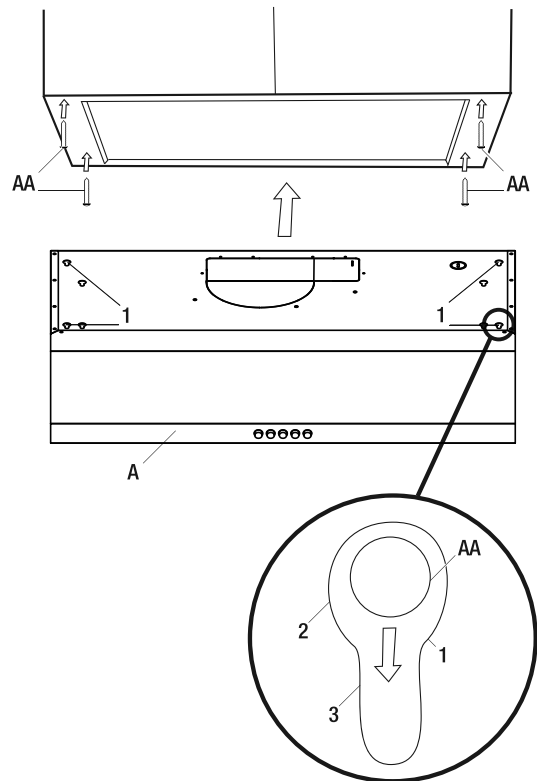


Fig. 14

## B. INSTALACIÓN UTILIZANDO SOPORTES DE INSTALACIÓN PARA 1 PERSONA

### B.1 INSTALACIÓN DEL SOPORTE PARA ALACENA SIN MARCO

- Consulte la marca en los soportes para determinar el lado y la orientación correctos de la instalación.
- El extremo plano del soporte con la flecha debe estar orientado hacia usted y el extremo con muesca debe estar orientado hacia la pared.

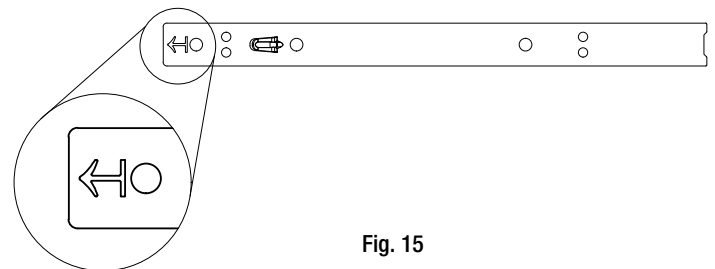


Fig. 15



## Instalación (continuación)

- Alinee el soporte contra el borde lateral de la alacena de 30 pulgadas (762 mm) y de la pared posterior. Dibuje una línea a lo largo del borde interior del soporte, como se muestra en la fig. 16-1.
- Deslice el soporte hacia adentro y alinéelo contra la línea marcada. Asegúrese de que el borde trasero esté ajustado contra la pared, como se muestra en la fig. 16-2.
- Use un lápiz para marcar la ubicación de los 3 orificios centrales, como se muestra en la figura 16-3.
- Coloque el soporte a un lado y taladre tres orificios de  $7/64$ " en las ubicaciones marcadas como se muestra en la fig. 16-4.
- Fije el soporte a la alacena con un destornillador Phillips y los 3 tornillos de madera avellanados suministrados (EE), como se muestra en la fig. 16-5.

Repita el procedimiento anterior para instalar el soporte plano restante en el lado opuesto del gabinete.

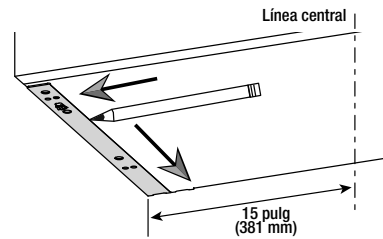


Fig. 16-1

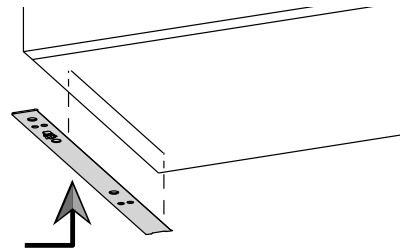


Fig. 16-2

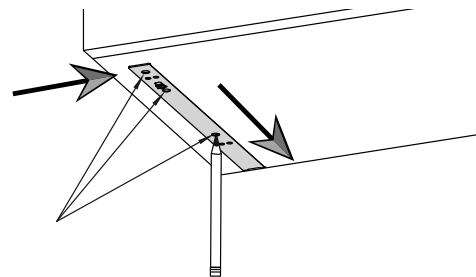


Fig. 16-3

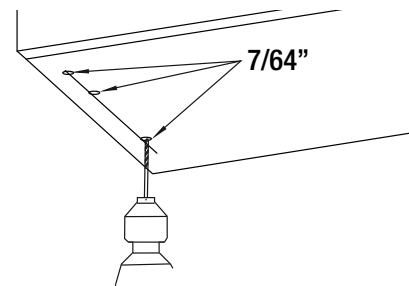
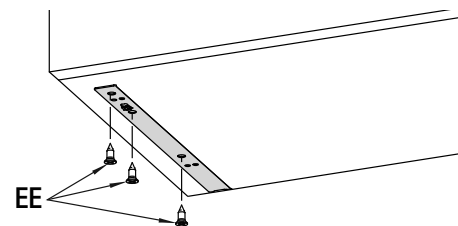


Fig. 16-4



# Instalación (continuación)

## B.2 INSTALACIÓN DEL SOPORTE PARA ALACENA CON MARCO

- Consulte la marca en los soportes para determinar el lado y la orientación correctos de la instalación.
- El extremo plano del soporte con la flecha debe estar orientado hacia usted y el extremo con muesca debe estar orientado hacia la pared.

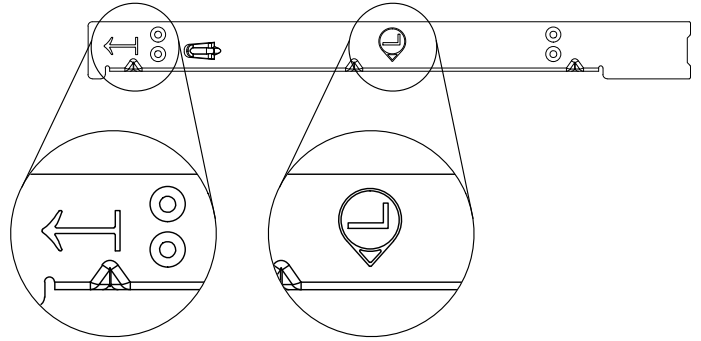


Fig. 17

- Alinee el soporte contra el borde lateral de la alacena de 30 pulgadas (762 mm) con marco y la pared posterior. Marque la ubicación de 3 orificios (de los 6 que hay disponibles) como se muestra en la figura 18-1.

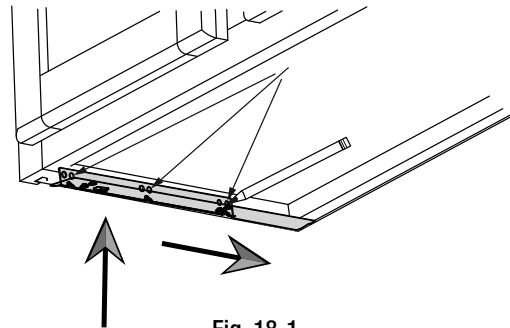


Fig. 18-1

- Coloque el soporte a un lado y taladre tres orificios de 7/64" en las ubicaciones marcadas como se muestra en la fig. 18-2.

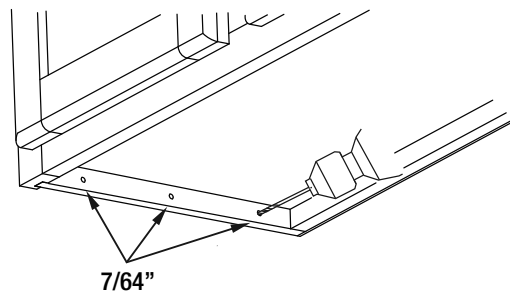


Fig. 18-2

- Ajuste el soporte al marco lateral con ayuda de un destornillador y de los tornillos de madera de 18 mm suministrados (AA). Si algún orificio piloto previamente perforado está barrido, utilice el orificio de montaje adyacente en su lugar.

Repita el procedimiento anterior para instalar el otro soporte de la alacena con marco en el lado opuesto de la alacena.

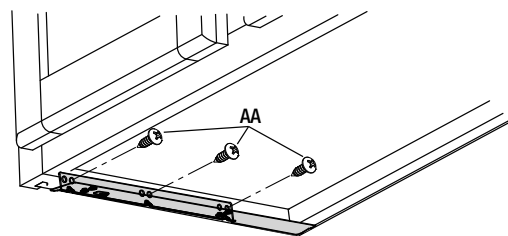


Fig. 18-3

## Instalación (continuación)

### CÓMO FIJAR LA CAMPANA EXTRACTORA A LOS SOPORTES

**NOTA:**

*El siguiente procedimiento se aplica a la instalación de los soportes para las alacenas con marco o sin él.*

- Hay 2 pares de ranuras huecas en la parte frontal y posterior de la campana extractora.
- Las ranuras posteriores (R) pueden utilizarse para sujetar la campana extractora en su lugar de manera temporal, mientras se hacen los últimos ajustes en las conexiones eléctricas y de ventilación.
- Las ranuras delanteras (F) se utilizan para sujetar la campana extractora en su lugar y fijarla de manera permanente a la alacena.

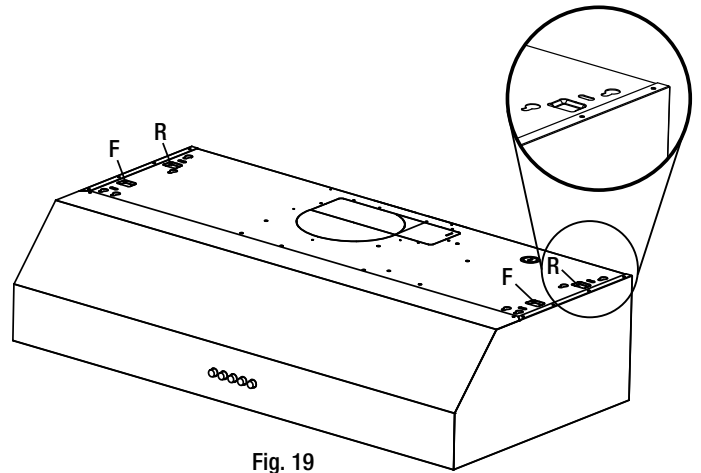


Fig. 19

- Cuelgue la campana temporalmente en los soportes traseros (R). Al sostener la campana, compruebe las conexiones eléctricas y de conductos.
- Una vez que se haya confirmado la integridad de las conexiones, retire y cuelgue la campana extractora en su ubicación final utilizando las ranuras delanteras (F).

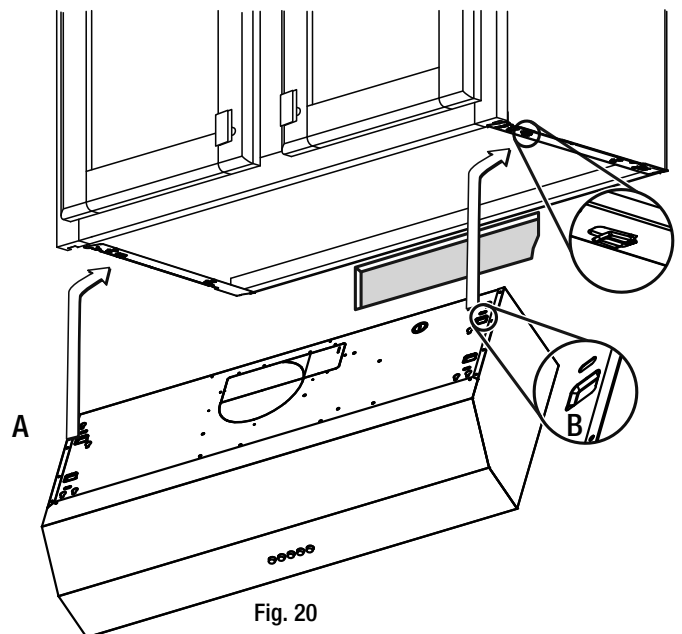


Fig. 20

# Instalación (continuación)

- Fije la campana extractora en su lugar con los sujetadores suministrados.
- La instalación de la alacena sin marco requiere cuatro tornillos de rosca largos (AA) con juntas. Use las dos ranuras de cada lado para asegurar la campana extractora directamente en la alacena como se muestra en la figura 21-1.

ALACENA SIN MARCO

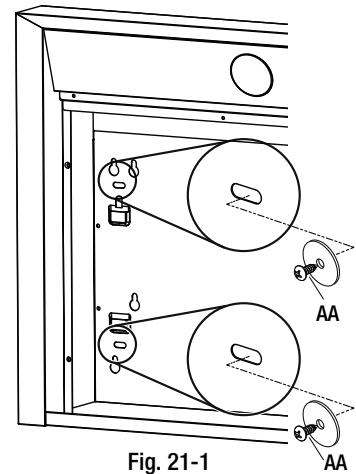


Fig. 21-1

- La instalación de la alacena con marco requiere cuatro tornillos de rosca largos (BB) con juntas. Use las dos ranuras de cada lado para asegurar la campana extractora directamente en el soporte metálico, como se muestra en la figura 21-2.

ALACENA CON MARCO

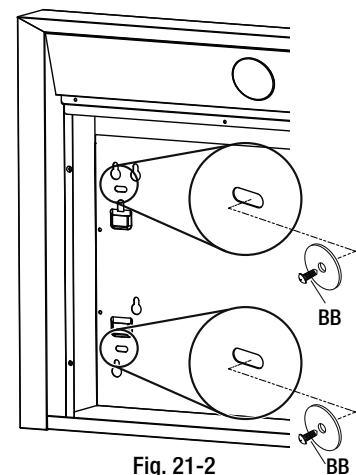


Fig. 21-2

## REVISIÓN FINAL

- Revise todas las conexiones eléctricas y de conductos. Asegúrese de que el conjunto del regulador (o el adaptador de conducto redondo) entre en el conducto y que el regulador se abra y cierre libremente.
- Cuando esté satisfecho con la instalación, vuelva a instalar el panel inferior y los filtros.
- Vuelva a conectar la alimentación de energía y asegúrese de que todas las luces y el ventilador funcionen correctamente.

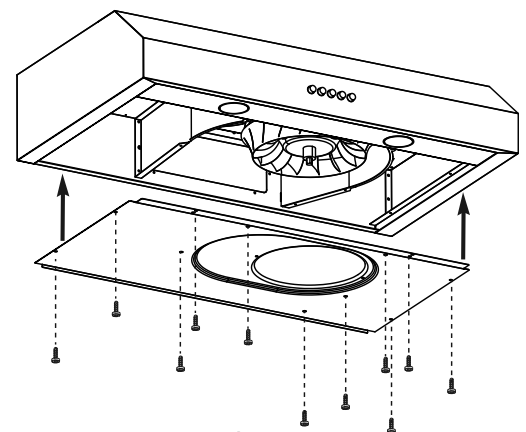


Fig. 22

# Funcionamiento

## **NOTA:**

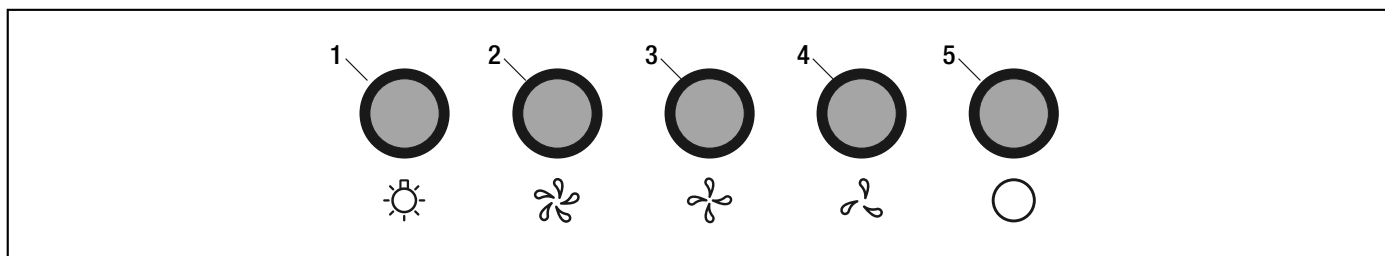
*El ventilador y las luces funcionan de forma independiente.*

## **ENCENDIDO Y APAGADO DE LA UNIDAD**

- Para encender el ventilador, presione el control de velocidad apropiado [Velocidad baja (4), velocidad media (3) y velocidad alta (2)] para seleccionar el nivel de potencia deseado. Al presionar un botón, se cancela el modo de velocidad anterior.
- Presione el interruptor de encendido (5) para apagar el ventilador.

## **ENCENDIDO Y APAGADO DE LAS LUCES**

- Presione el interruptor de iluminación (1) para encender o apagar las luces.



## REEMPLAZO DE LOS FILTROS

Cuando sea necesario reemplazar los filtros, cámbielos por filtros similares con clips de acero inoxidable. También reemplace los filtros o deflectores dañados que estén perforados, doblados o tengan armazones rotos.

- Apague la campana extractora y desconecte la alimentación.
- Sustituya la pieza con un filtro de aluminio o deflector equivalente; posteriormente vuelva a conectar la alimentación eléctrica.



**PELIGRO:** Desconecte el disyuntor de alimentación o apague el interruptor de la caja de derivación antes de realizar el mantenimiento. No toque los circuitos que se encuentran dentro de la campana extractora mientras está conectada, pues esto puede ocasionar la muerte o una lesión grave.



**ADVERTENCIA:** El no sustituir los filtros gastados o dañados incrementará el riesgo de incendio.

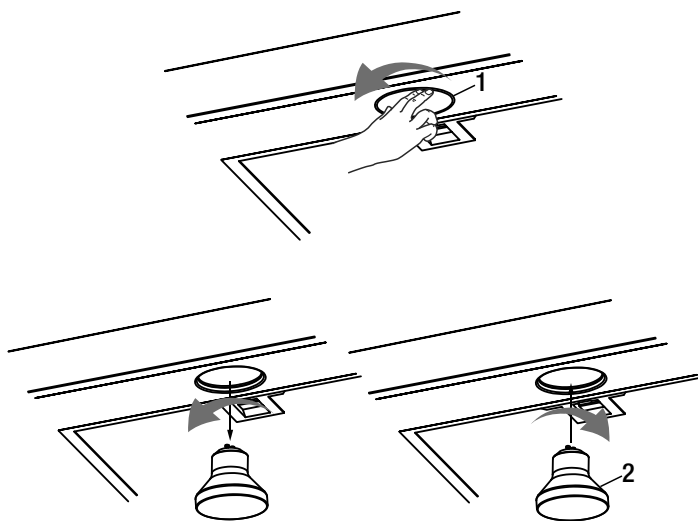


**ADVERTENCIA:** Las bombillas pueden alcanzar temperaturas muy elevadas cuando están encendidas. No toque las bombillas hasta que estén apagadas y se hayan enfriado. Tocar las bombillas calientes puede ocasionar quemaduras graves.

## CAMBIO DE BOMBILLAS

Cuando las bombillas se fundan, sustitúyalas con bombillas de 5W con base GU10.

- Apague la campana extractora, desconecte la energía y asegúrese de que las luces se hayan enfriado.
- Gire la bombilla (1) en la dirección indicada y júlela para sacarla.
- Empuje la nueva bombilla (2) en la dirección indicada, hasta que quede perfectamente ajustada al socket. No suelte la bombilla hasta que esté seguro de que está firmemente instalada. A continuación, vuelva a conectar la alimentación eléctrica.
- Si las nuevas bombillas no funcionan, revise que estén colocadas correctamente.



# Cuidado y limpieza

## CAMPANA EXTRACTORA



**ADVERTENCIA:** Si no se mantienen los estándares de cuidado y de limpieza básicos de la campana extractora, aumenta el riesgo de incendio.

La campana extractora debe limpiarse con regularidad (tanto interna como externamente) para que conserve su apariencia y rendimiento.

### Qué hacer:

- Siempre limpie en dirección de la veta (líneas de pulido originales).
- Limpie la campana extractora periódicamente con agua caliente jabonosa y un paño de algodón.
- Siempre enjuague bien con agua limpia dos o tres veces después de limpiar. Seque completamente con un paño suave no abrasivo.
- Después de limpiar, puede pulir con una pasta de pulido para acero inoxidable no abrasiva. Siempre frote ligeramente y siguiendo la dirección del acabado.
- Si cuenta con un sistema de ventilación, asegúrese de que esté libre de residuos.

### Qué no hacer:

- No use detergentes corrosivos o abrasivos, lana de acero ni almohadillas de restregado, ya que éstas rallarán y dañarán la superficie de acero inoxidable.
- No use ningún producto que contenga cloruro, fluoruro, yoduro ni bromuro en este producto, ya que estos deteriorarán la superficie rápidamente.
- No permita que los productos de limpieza, las soluciones de sal, los desinfectantes o los blanqueadores permanezcan en contacto con el producto durante mucho tiempo.
- No permita que permanezcan depósitos en la campana extractora durante mucho tiempo. Enjuague con agua inmediatamente y seque con un paño limpio.
- No deje que entre en la campana polvo de yeso ni ningún residuo de construcción. Durante una obra de construcción o una renovación, cubra la campana.
- Los productos combustibles utilizados para limpiar, tales como la acetona, el alcohol, el éter o el bencol son altamente explosivos y no deben utilizarse cerca de una estufa o parrilla.

## FILTROS

El objetivo del filtro instalado en la fábrica es filtrar los residuos y la grasa que se generan al cocinar. No necesita reemplazarlo periódicamente, sólo es necesario mantenerlo limpio.

### Qué hacer:

- Limpie los filtros de aluminio / deflectores una vez al mes usando detergentes no abrasivos, ya sea a mano o en el lavavajillas. Cuando use un lavavajillas, utilice una temperatura baja y un ciclo corto. Este filtro puede desteñirse en un lavavajillas, pero esto no afecta su desempeño.
- Seque el filtro antes de volverlos a instalar en la campana extractora.

### Qué no hacer:

- No permita que el aceite se acumule sobre más del 80% de la superficie del filtro. Las acumulaciones de aceite pueden gotear en la estufa.
- No lave el filtro de carbón. El filtro de carbón deberán reemplazarse cuando estén cubiertos de grasa y hayan alcanzado su máxima absorción.

# Solución de problemas



**PELIGRO:** Desconecte el disyuntor de alimentación o apague el interruptor de la caja de derivación antes de realizar el mantenimiento. No toque los circuitos que se encuentran dentro de la campana extractora mientras está conectada, pues esto puede ocasionar lesiones graves o la muerte.

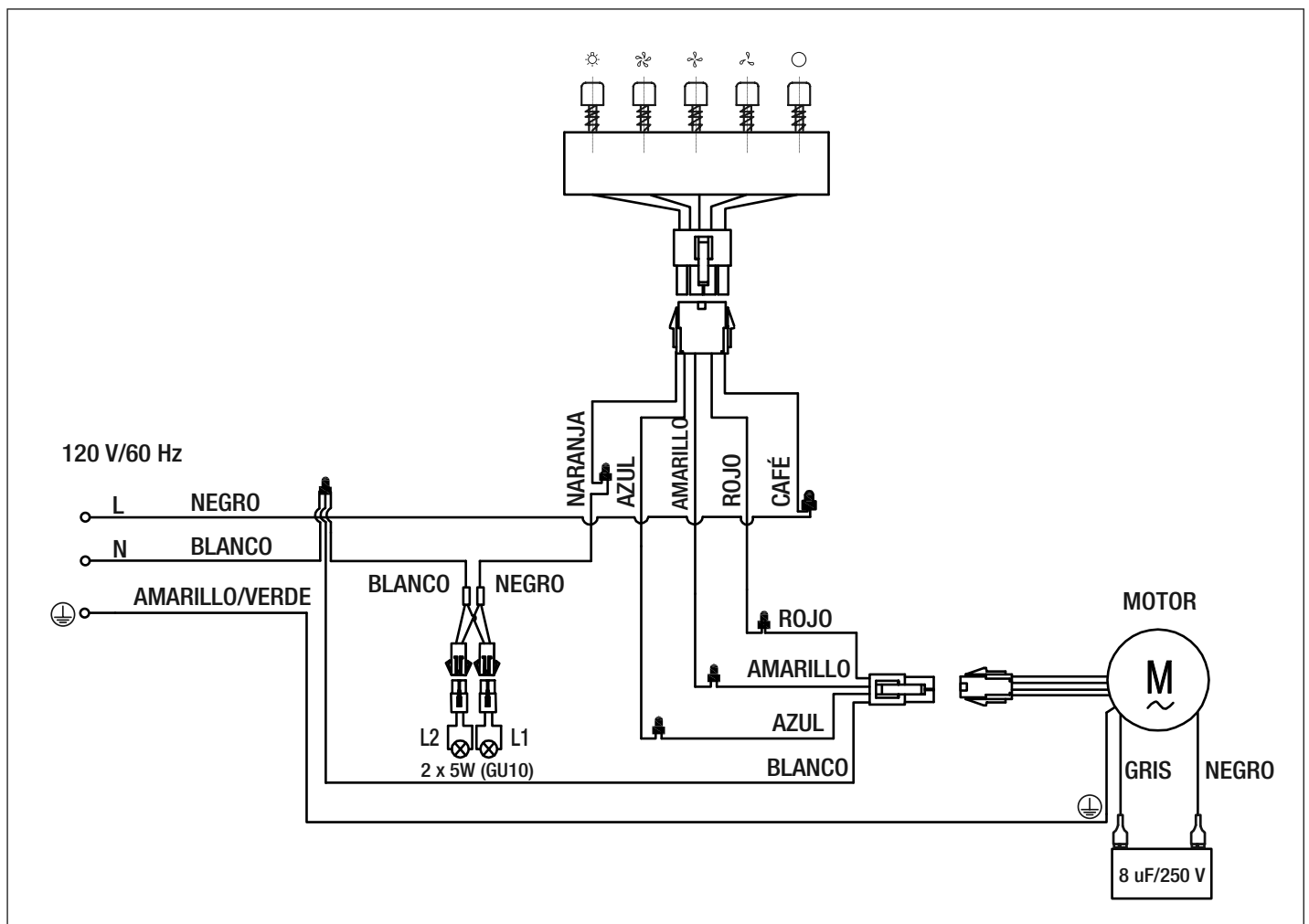
Problema	Solución
La campana extractora no funciona.	<ul style="list-style-type: none"> <li>- Verifique que el cable de alimentación y el cableado eléctrico estén conectados apropiadamente.</li> <li>- Verifique que la corriente está encendida en la caja de derivación o del disyuntor.</li> <li>- Compruebe que el cableado del interruptor de control esté conectado correctamente.</li> </ul>
La campana extractora vibra cuando el ventilador está encendido.	<ul style="list-style-type: none"> <li>- Verifique que la campana extractora esté sujeta firmemente. Ajuste las sujeciones, si es necesario.</li> <li>- Verifique que el motor esté firmemente sujeto. Si no lo está, apriete las sujeciones del motor.</li> <li>- Verifique que el ventilador no esté dañado. Si lo estuviera, sustituya el ventilador.</li> </ul>
Los ventiladores parecen débiles.	<ul style="list-style-type: none"> <li>- Verifique que el tamaño del ducto utilizado tenga un diámetro de al menos 7 pulgadas (177 mm). La campana extractora no funcionará eficientemente si el tamaño del ducto no es el adecuado.</li> <li>- Verifique que el ducto no este bloqueado con residuos y que la fina malla en la tapa de pared, en caso de que la haya, no limite el flujo de aire.</li> <li>- Verifique que el regulador se abra adecuadamente.</li> <li>- Verifique que no haya nidos de pájaros u otros animales en el ducto.</li> </ul>
Las luces funcionan, pero el ventilador no gira, está trabado o traquetea.	<ul style="list-style-type: none"> <li>- El sistema de protección térmica detecta si el motor está demasiado caliente para operar y lo apaga. En este caso, el motor funcionará correctamente después de que el sistema de protección térmica se enfríe (después de aproximadamente 10 minutos).</li> <li>- Verifique que el ventilador no esté atorado o rozando con la parte inferior.</li> <li>- Si ninguna de estas soluciones funciona, es posible que el motor esté defectuoso o atorado. Si así fuera, reemplace el motor.</li> </ul>
La campana extractora no ventila correctamente.	<ul style="list-style-type: none"> <li>- Verifique que no haya nidos de pájaros u otros animales en el ducto.</li> <li>- Verifique que la distancia entre la estufa y la parte inferior de la campana extractora sea de entre dentro de la distancia recomendada anteriormente.</li> <li>- Verifique que los ductos cumplan con todos los requisitos. Utilice un ducto metálico redondo con un diámetro uniforme de pulgadas 7 in (177 mm). La longitud de los ductos no debe superar los 35 pies (10.7 m). En caso necesario, reduzca la longitud de los ductos y el número de codos. Asegúrese de que todas las juntas estén conectadas correctamente, selladas y con cinta.</li> <li>- Verifique que el ducto no se abra con el viento.</li> <li>- Asegúrese de que la campana extractora esté encendida a velocidad alta para cocinar alimentos que produzcan mucho humo o vapor.</li> <li>- Cierre todas las ventanas que estén cerca de la campana extractora para eliminar corrientes de aire.</li> <li>- Para mejorar el rendimiento de la campana extractora, abra ligeramente una ventana en el lado opuesto de la casa al lugar en que se encuentre la salida de la campana extractora al exterior.</li> </ul>
La(s) bombilla(s) no funcionan.	<ul style="list-style-type: none"> <li>- Revise si la bombilla está fundida. En ese caso, cámbiela.</li> <li>- Revise las bombillas para ver si están flojas. Si lo estuvieran, apriételas.</li> <li>- Retire la bombilla que tenga el problema y sustitúyala con una que funcione. Si la bombilla que funciona correctamente no se enciende, el problema puede ser de la lámpara. Pida que reparen o sustituyan la lámpara.</li> </ul>



# Especificaciones

Modelo	Dimensiones	Clasificación	Tipo de control	CFM	Velocidades	Vataje de la bombilla	Opciones de ventilación
QR272S QR272BS	29.8 pulgadas (758 mm) de ancho	120V ~ 60Hz 1.5A	Botones	370 ± 10% MAX	3	2 bombillas DEL de 5 W con base GU10	Ventilación superior Ventilación posterior
	18 pulgadas (457 mm) de profundidad						
	7 pulgadas (178 mm) de alto						

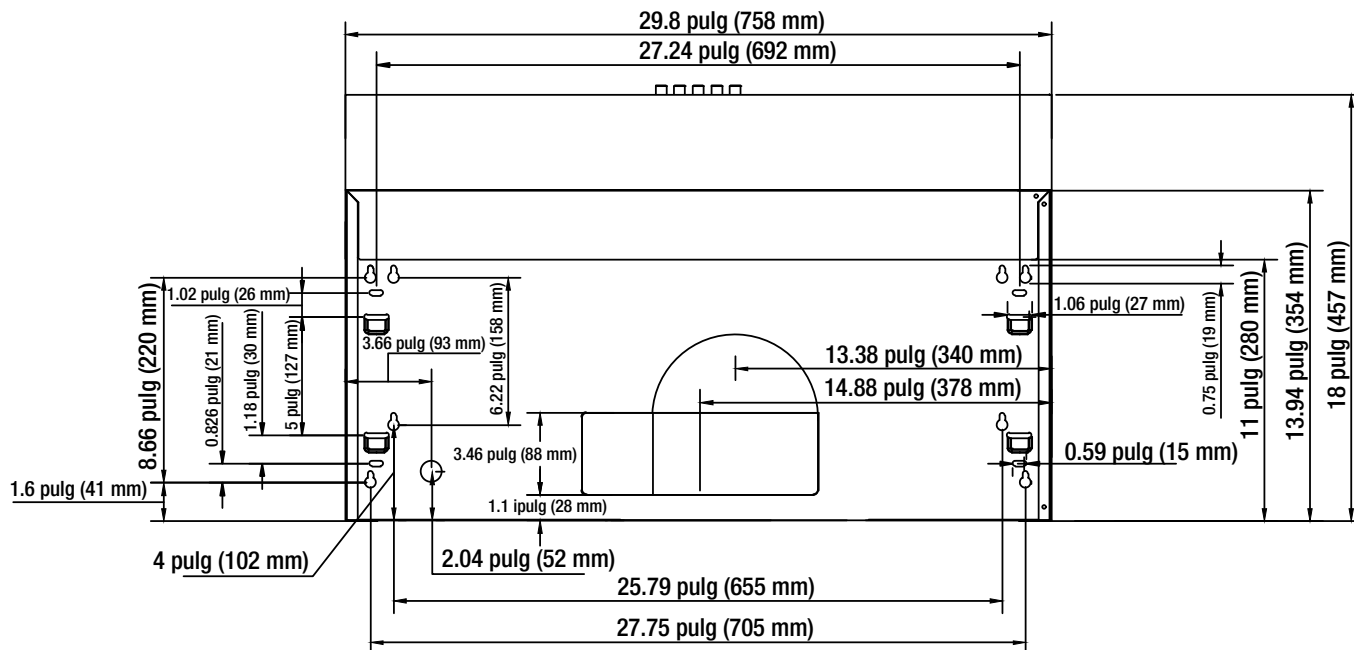
## DIAGRAMA DE CABLEADO



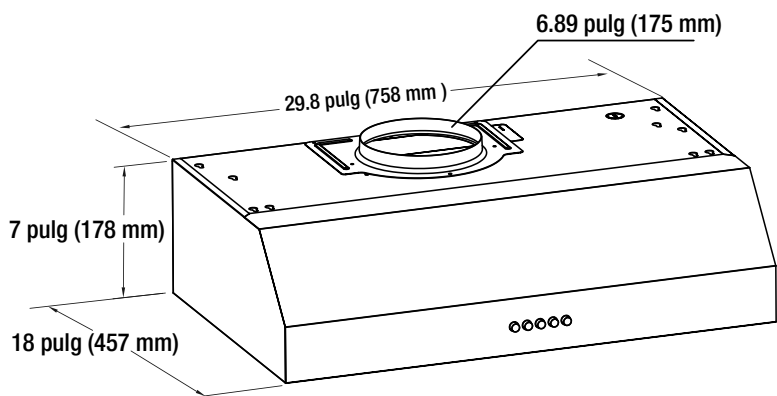
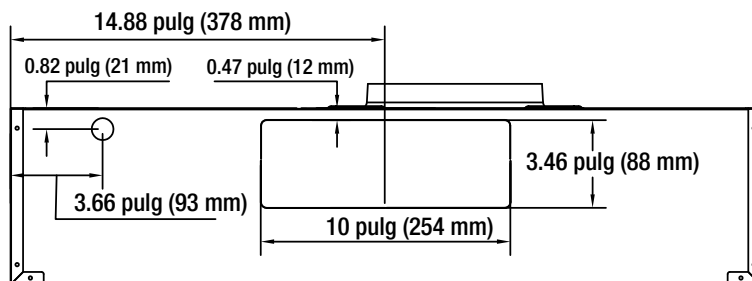
# Especificaciones (continuación)

## DIAGRAMA EXTERNO DE LA CAMPANA EXTRACTORA

### SUPERIOR

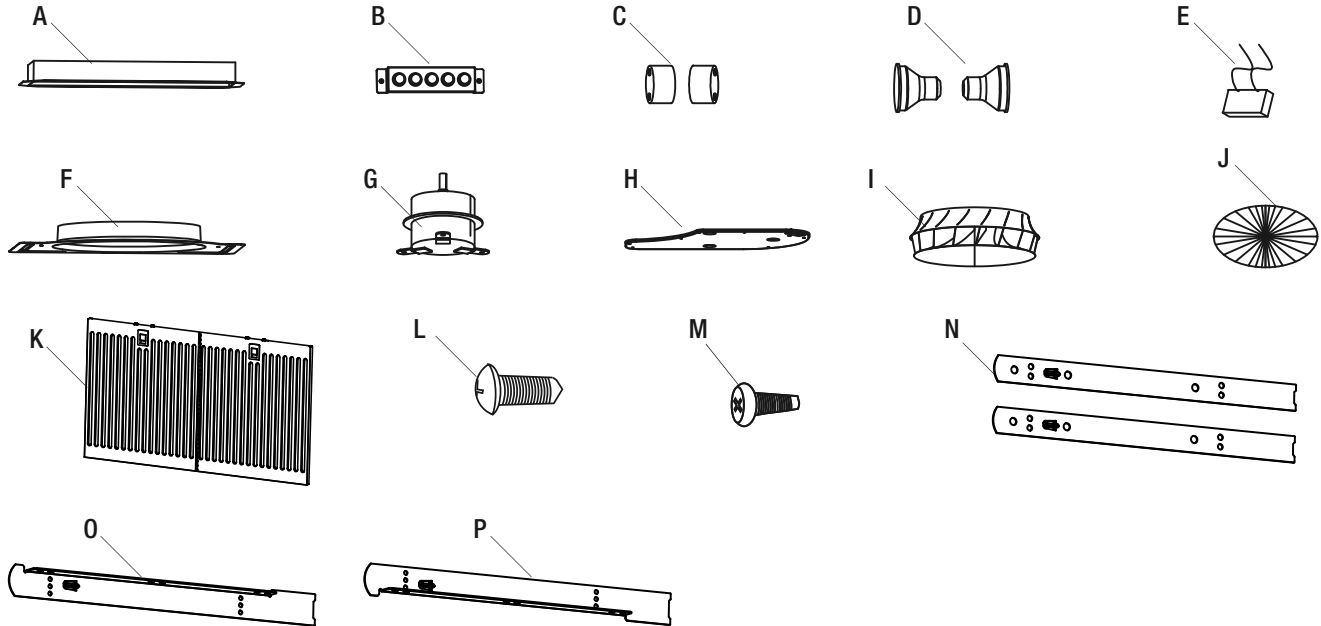


### INFERIOR



# Piezas de refacción

Si le faltan piezas o requiere refacciones, escríbale a nuestro equipo de servicio al cliente a [vissani@conglom.com](mailto:vissani@conglom.com) o llame al 1-888-449-9197 de 8:30 a. m. a 5:00 p. m., hora del Este, de lunes a viernes. Identifique la(s) pieza(s) requerida(s) y tenga listo el número de pieza correspondiente.



Pieza	Descripción	Código	Cantidad
A	Regulador rectangular	QHR186	1
B	Interruptor	QHR187	1
C	Portalámparas	QHR223	2
D	Bombilla LED	QHR181	2
E	Condensador	QHR188	1
F	Adaptador redondo	QHR170	1
G	Motor	QHR243	1
H	Soporte del motor	QHR209	1
I	Aspa	QHR219	1
J	Protección de aspa	QHR175	1
K	Filtros híbridos	QHR211	2
L	Tornillos de rosca largos (ST4x18 mm)	QHR178	6
M	Tornillos de rosca (ST4x10-F-H)	QHR179	10
N	Soportes para alacena sin marco	QHR227	2
O	Soporte para alacena con marco-izquierdo	QHR228	1
P	Soporte para alacena con marco-derecho	QHR229	1

Questions, problems, missing pieces?  
Before returning to the store, please contact Customer Service  
from 8:30 am - 5 pm, EST, Monday - Friday

¿Preguntas, problemas, piezas faltantes?  
Antes de devolver el producto a la tienda, comuníquese con nuestro equipo de servicio al cliente  
de 8:30 am. a 5:00 pm., hora del Este, de lunes a viernes

**1-888-449-9197**

**HOMEDEPOT.COM**

Retain this manual for future use.  
Conserve este manual para futuras consultas.

Made in China / Hecho en China