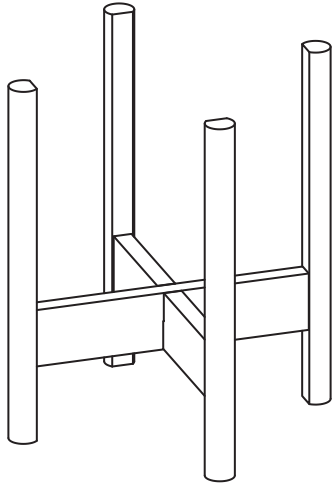
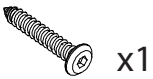


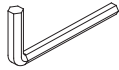
Assembly Instruction
Item#107-3X
Mid-Century Modern Wood Plant
Display Stand, Fit Up to 10"



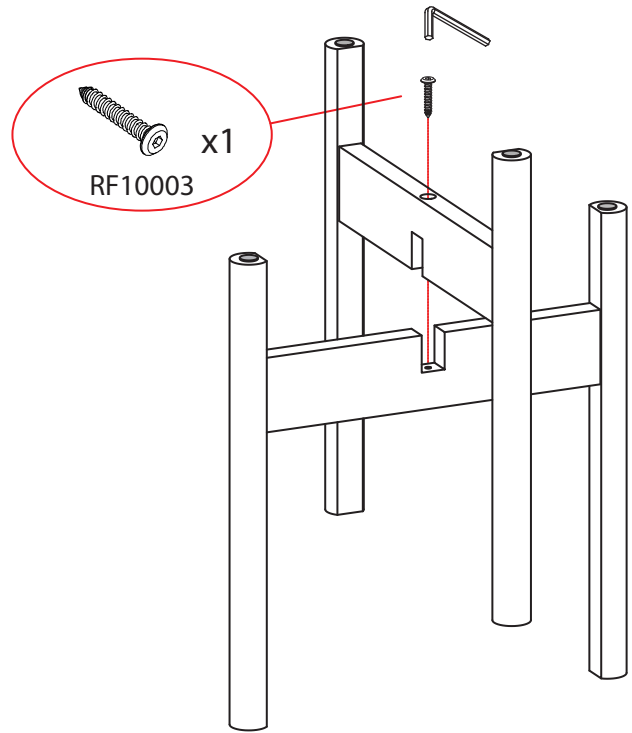
Hardware



RF10003
Screws JCA 1/4" x 32

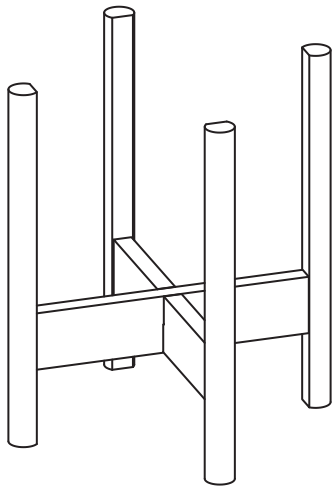


RF40015
Allen Wrench

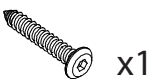


Assemble the plant holder by
using Screw (RF10003) as shown.

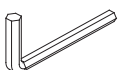
Assembly Instruction
Item#107-3X
Mid-Century Modern Wood Plant
Display Stand, Fit Up to 10"



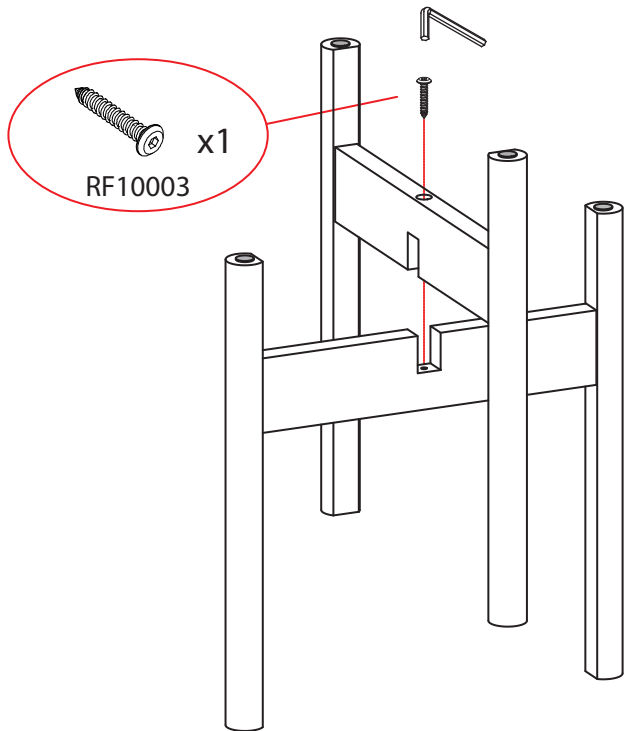
Hardware



RF10003
Screws JCA 1/4" x 32



RF40015
Allen Wrench



Assemble the plant holder by
using Screw (RF10003) as shown.