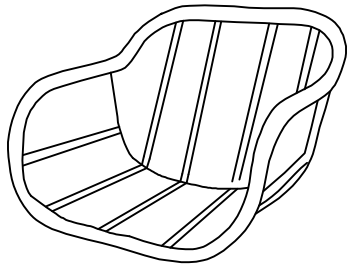


## PARTS AND HARDWARE

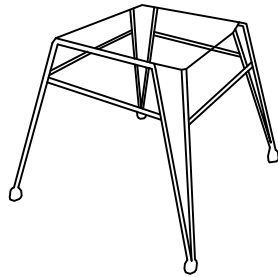
Avoid using sharp objects such as a knife to cut open packing as you may accidentally damage the upholstery.

Do not fully tighten bolts until assembly is complete.

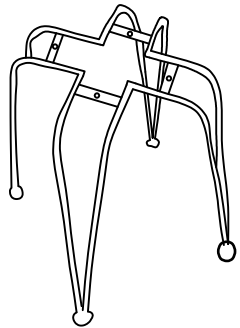
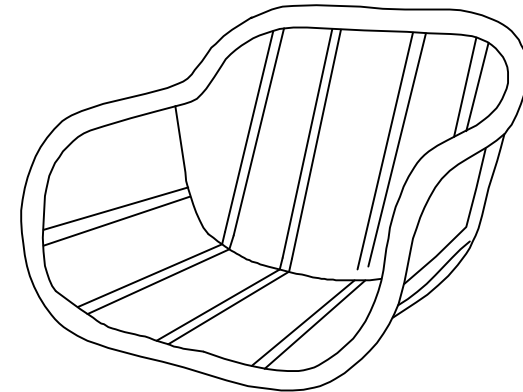
1. Assemble the chair leg(B) to the chair(A),using bolt and washer(F).



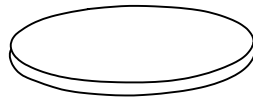
A.Chair



B.Chair Leg



C.Table Leg



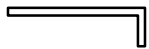
D.Table Top



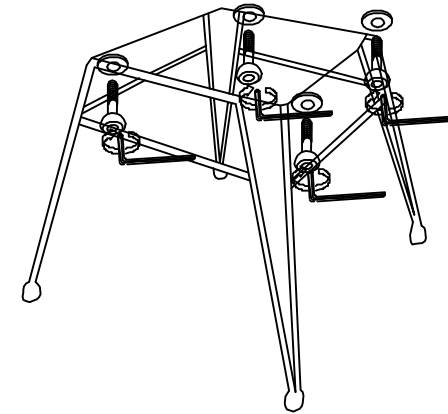
E.Table Glass



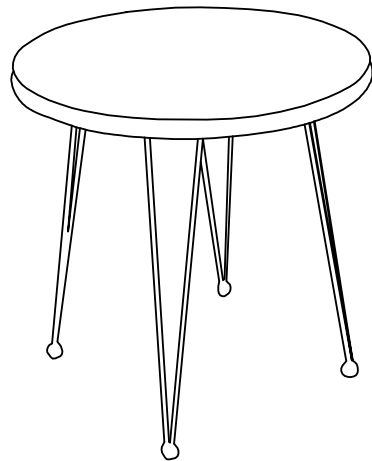
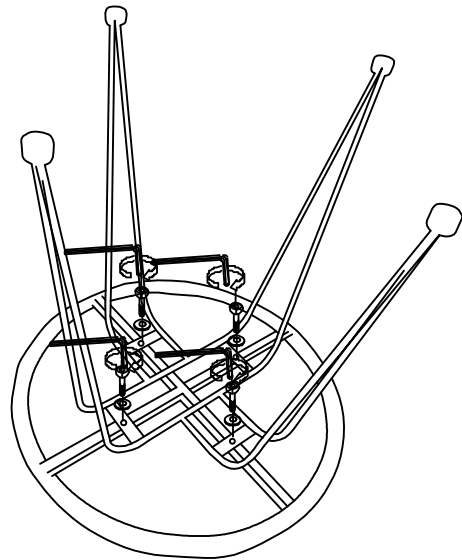
F.Bolt and washer  
F 12X M6\*15



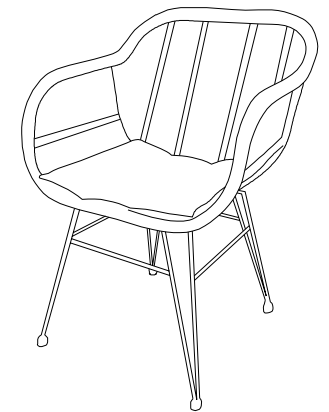
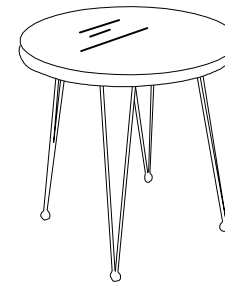
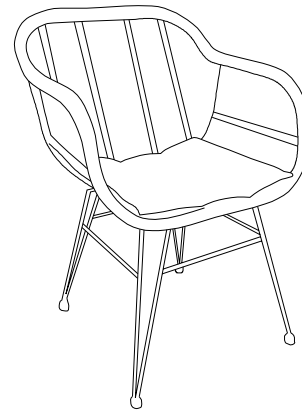
G.Allen Key  
1X



2.Assemble the table leg(C) to the table top(D),using bolt and washer(F).



# Oshion



---

ASSEMBLY INSTRUCTIONS