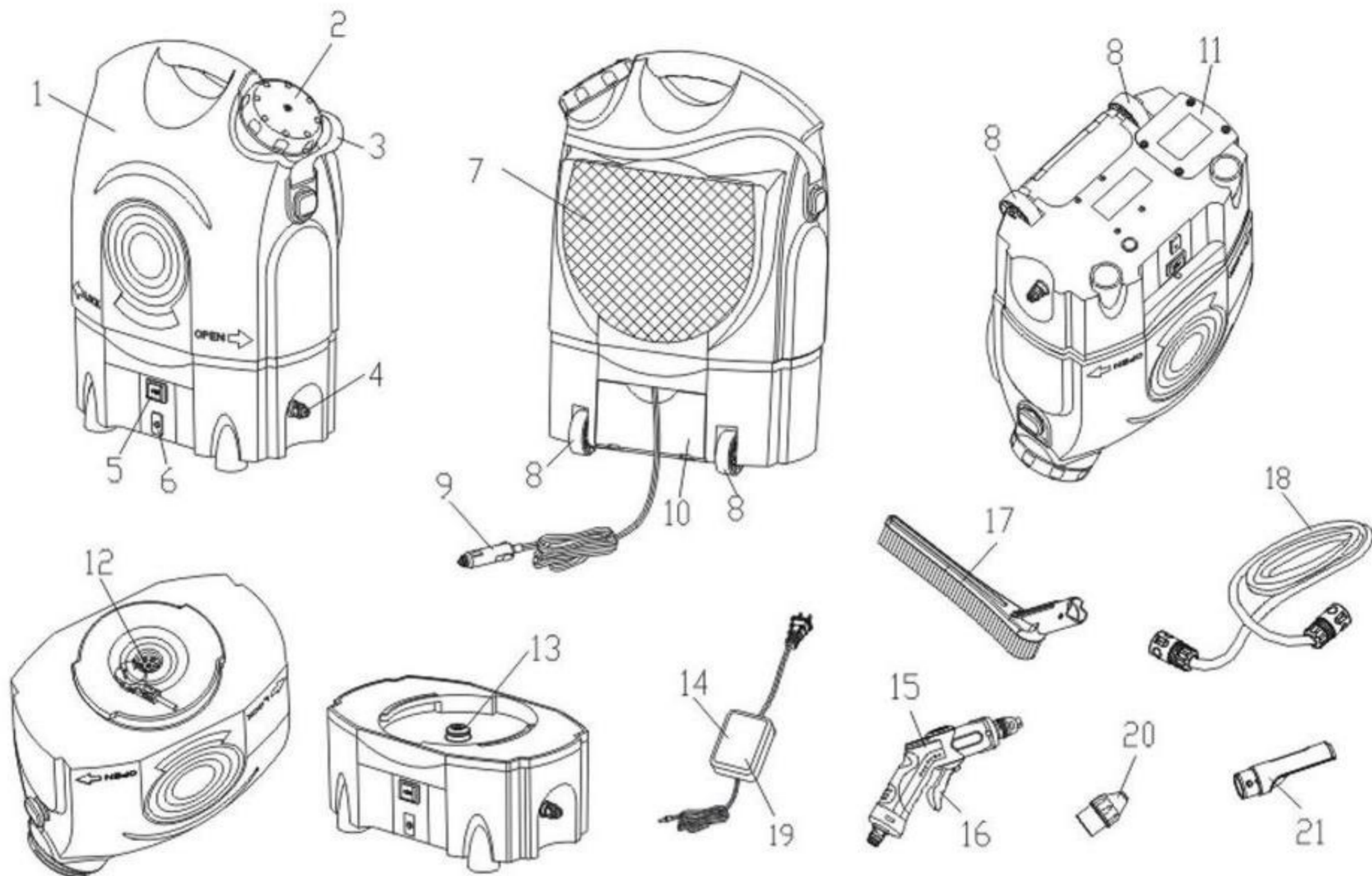


Parts & Controls



1. Water tank
2. Tank Cover
3. Adjustable Shoulder Strap
4. Hose Inlet
5. Power Switch
6. Charging Inlet
7. Mesh Storage Compartment
8. Integrated Wheels
9. Power Cord
10. Cord Cover
11. Battery Cover

12. Water Outlet
13. Water Inlet
14. Wall Charger
15. Spray Gun
16. Trigger Lock
17. Brush Head
18. Hose
19. Charging Indicator
20. Adjustable Nozzle Head
21. Shower Head