

Maintenance

Ensure the air line is shut-off and drained of air before removing this tool for service. This will prevent the tool from operating if the throttle is accidentally engaged.

DAILY CLEAN UP



NOTE: Clean the spray gun immediately after use.

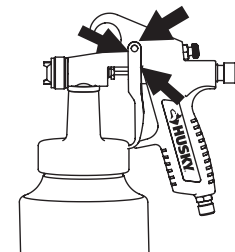
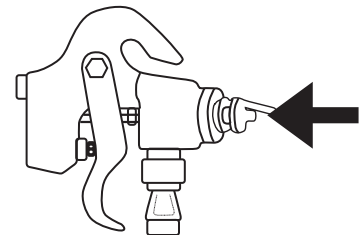
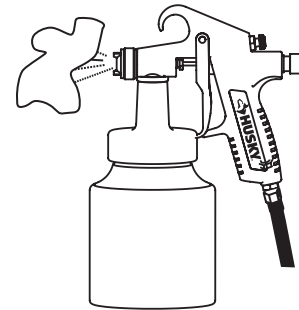
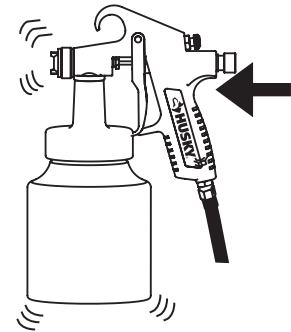
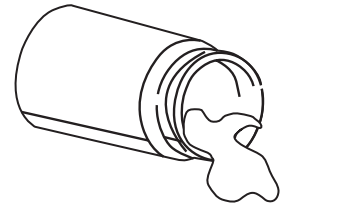
- Paint and other materials dry quickly in the small passages rendering the gun useless due to the difficulty of removing hardened paint from the passages inside the gun. An in-line filter-regulator-lubricator is recommended as it increases tool life and keeps the tool in sustained operation. Remove and empty the canister. Rinse with a solvent recommended for the paint or other material used. Refill the canister with clean solvent and attach to the gun. Spray the solvent through the gun while shaking the gun vigorously. Wipe the gun exterior with a solvent soaked rag. Repeat until the gun is clean.

- Remove the air cap and soak in solvent until clean. Use a small brush for stubborn stains if necessary. Toothpicks or small brushes may be used to clean air passages. **NEVER USE METAL OBJECTS TO CLEAN PRECISELY DRILLED PASSAGES. DAMAGED PASSAGES WILL CAUSE IMPROPER SPRAYING.**

- Clean the gaskets with a solvent soaked rag. To prevent equipment damage, **DO NOT IMMERSE THE GASKET OR SPRAY GUN BODY IN SOLVENTS.**

- After using water to clean out water based paints or materials, spray mineral spirits through the gun to prevent corrosion.

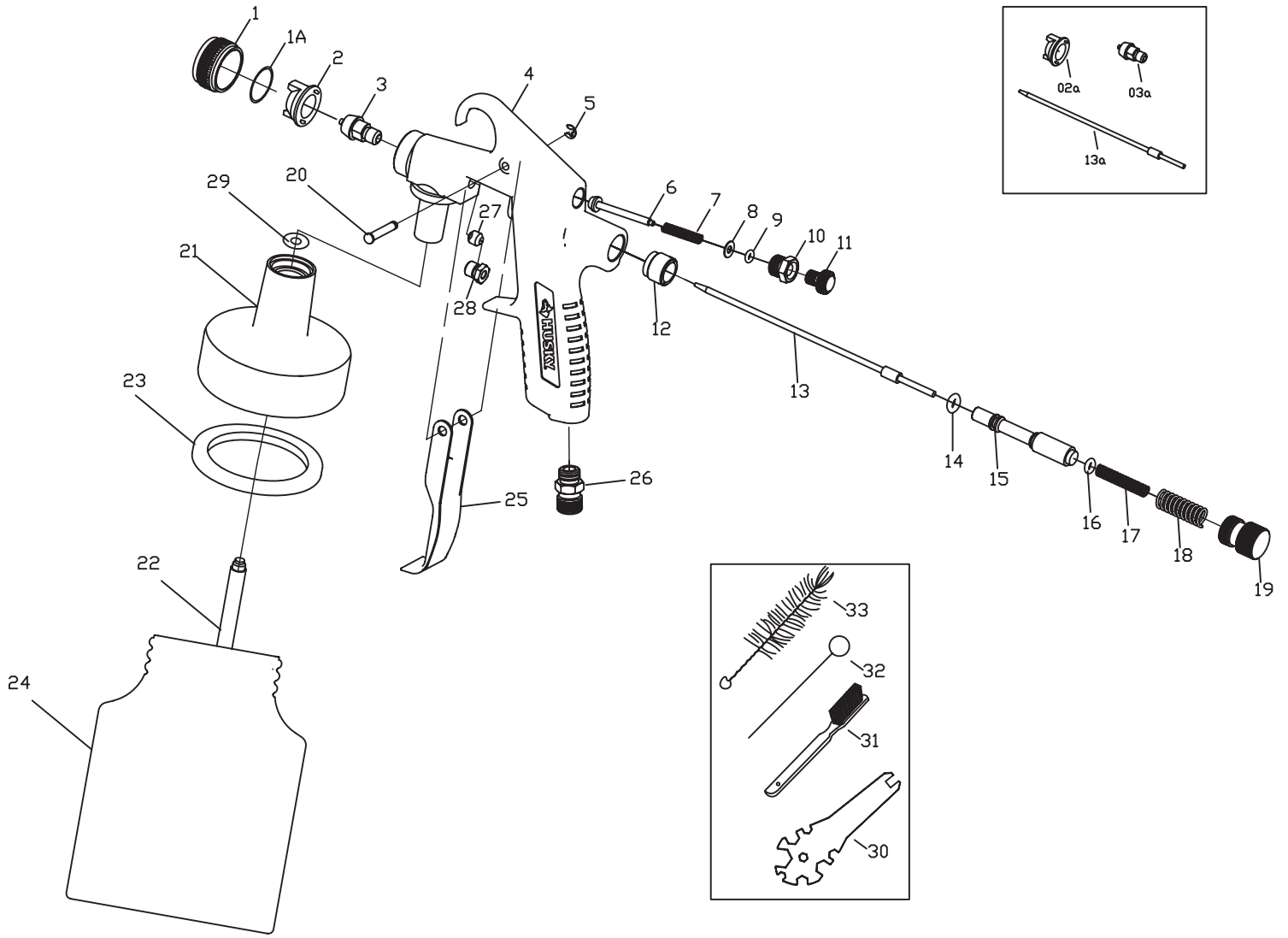
- Use a non-silicone oil on all moving parts when reassembling. Use Vaseline® or light grease on all threaded connections prior to storage.



Troubleshooting

Problem	Possible Cause	Solution
Heavy spray pattern to the left or right of the paint surface.	<ul style="list-style-type: none"> <input type="checkbox"/> Holes in the left or right side of the air cap are plugged. <input type="checkbox"/> Dirt on the left or right side of the fluid tip. 	<ul style="list-style-type: none"> <input type="checkbox"/> Use only non-metallic paint. <input type="checkbox"/> Clean the air cap. <input type="checkbox"/> Clean the fluid tip.
Heavy spray pattern to the top or bottom of the paint surface.	<ul style="list-style-type: none"> <input type="checkbox"/> Dried material at the top or bottom of the fluid tip. <input type="checkbox"/> The air cap is loose or the seat is dirty. <input type="checkbox"/> The air cap is plugged. 	<ul style="list-style-type: none"> <input type="checkbox"/> Use only non-metallic paint. <input type="checkbox"/> Clean the fluid tip. <input type="checkbox"/> Clean and tighten the air cap.
Spray gun emits split spray pattern.	<ul style="list-style-type: none"> <input type="checkbox"/> The fan pattern is open too far. <input type="checkbox"/> The fluid control is turned too far. <input type="checkbox"/> The atomization air adjustment is too high. 	<ul style="list-style-type: none"> <input type="checkbox"/> Partially close the pattern adjustment. <input type="checkbox"/> Increase fluid using the fluid control knob. <input type="checkbox"/> Reduce the atomization air pressure.
The spray gun emits split spray pattern.	<ul style="list-style-type: none"> <input type="checkbox"/> The fan adjustment is partially closed. <input type="checkbox"/> The paint material is too thick. <input type="checkbox"/> Atomization pressure is too low. 	<ul style="list-style-type: none"> <input type="checkbox"/> Open the fan pattern adjustment. <input type="checkbox"/> Thin paint material to proper viscosity. <input type="checkbox"/> Increase the atomization pressure.
The spray gun emits sputtering spray pattern.	<input type="checkbox"/> The material level is too low.	<input type="checkbox"/> Refill the paint cup.
	<input type="checkbox"/> The container is tipped too far.	<input type="checkbox"/> Hold the spray gun upright.
	<input type="checkbox"/> Loose fluid inlet connection.	<input type="checkbox"/> Tighten the fluid cap.
	<input type="checkbox"/> Loose or damaged fluid tip / seat.	<input type="checkbox"/> Adjust or replace the fluid tip or seat.
	<input type="checkbox"/> Dry or loose fluid needle packing nut.	<input type="checkbox"/> Lubricate and tighten the fluid needle and packing nut.
Air is leaking from the air cap without pulling the trigger.	<input type="checkbox"/> The air vent is clogged.	<input type="checkbox"/> Clear the vent hole.
	<input type="checkbox"/> The air valve stem is sticking.	<input type="checkbox"/> Lubricate the valve stem.
	<input type="checkbox"/> There is contaminate on the valve or seat.	<input type="checkbox"/> Clean air valve or seat.
	<input type="checkbox"/> The air valve or seat is worn or damaged.	<input type="checkbox"/> Replace air valve or stem.
	<input type="checkbox"/> The air valve spring is broken.	<input type="checkbox"/> Replace air valve spring.
Fluid leaking from fluid tip of spray gun.	<input type="checkbox"/> Valve stem is bent.	<input type="checkbox"/> Replace valve stem.
	<input type="checkbox"/> The packing nut is too tight.	<input type="checkbox"/> Adjust the packing nut.
	<input type="checkbox"/> The fluid tip is worn or damaged.	<input type="checkbox"/> Replace the tip and / or needle.
	<input type="checkbox"/> There is foreign matter on the tip.	<input type="checkbox"/> Clean the fluid tip.
The spray gun emits excessive overspray.	<input type="checkbox"/> The fluid needle spring is broken.	<input type="checkbox"/> Replace fluid needle spring.
	<input type="checkbox"/> The atomization pressure is set too high.	<input type="checkbox"/> Reduce the atomization pressure.
	<input type="checkbox"/> The spray gun is held too far away from the work surface.	<input type="checkbox"/> Adjust to the proper distance.
The spray gun emits excessive overspray.	<input type="checkbox"/> Improper stroking (arcing, gun motion too fast).	<input type="checkbox"/> Move the spray gun at a moderate pace, parallel to the surface.
	<input type="checkbox"/> There is no air pressure at the gun.	<input type="checkbox"/> Check the air lines.
	<input type="checkbox"/> The fluid control is not open enough.	<input type="checkbox"/> Open fluid control.
The spray gun will not spray.	<input type="checkbox"/> The material is too heavy.	<input type="checkbox"/> Thin the material or change over to a pressure feed system.

Service Parts



Service Parts (continued)

Reference Number	Part Number	Description
1	9F501	Air Cap Ring
1a	9F501G	Telfon Gasket
2	9F5021	Air Cap 1.8 mm
2a	9F5021C	Air Cap 2.2 mm
3	9F5031	Nozzle 1.8 mm
3a	9F5031C	Nozzle 2.2 mm
4	9F505	Gun Body
5	9W7120	Retainer Ring
6	9F5281	Pattern Control Needle
7	9F5283	Spring
8	9W71282	Washer
9	9W71062	O-Ring
10	9F5286	Pattern Control Nut
11	9W71287	Pattern Control Knob
12	9F5081	Fluid Adj. Plug
13	9F509	Fluid Adj. Needle 1.8 mm
13a	9F509C	Fluid Adj. Needle 2.2 mm
14	9F5082	O-Ring (2)
15	9F508	Fluid Adj. Bushing

Reference Number	Part Number	Description
16	9F5083	O-Ring
17	9F510	Fluid Adj. Needle Spring
18	9F515	Fluid Adj. Spring
19	9F512	Fluid Adj. Knob
20	9W8818	Trigger Pin
21	9F5305	Paint Canister Lid
22	9F5302	Suction Tube
23	9F5304	Rubber Gasket
24	9F5301	Paint Canister
25	9F519	Trigger Lever
26	9F517	Air Inlet
27	9F5042	Fluid Needle Bushing
28	9F5041	Fluid Needle Seat
29	9F5304-1	O-Ring
30	9W9726	Wrench
31	9W7127	Soft Brush
32	9D41A4105	Needle
33	9D41A4103	Cleaning Brush