

# 44" Sinclair Ceiling Fan

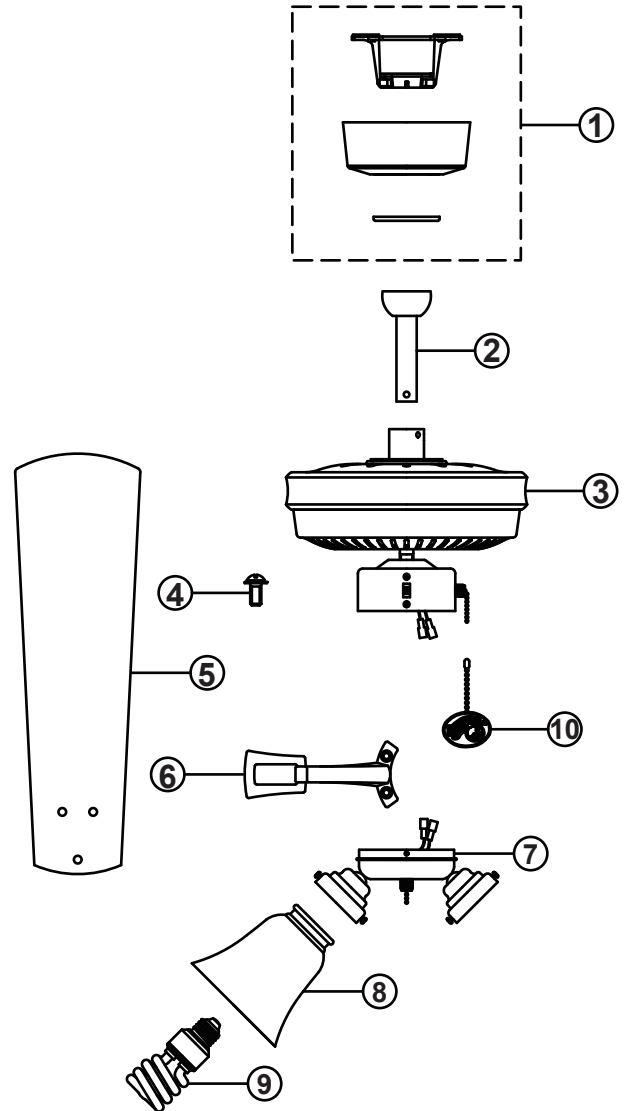
Available Finishes:  
Flemish Brass



UPC#792145356516  
Model#AL958-FB

	Replacement Part Description	Available online	Part ID number
1.	Mounting bracket and Canopy set	✓	206118489
2.	Downrod assembly	✓	206118490
3.	Fan motor assembly		
4.	Blade screw pack	✓	206118493
5.	Blades (5pcs/set)	✓	206118491
6.	Blade arms (5pcs/set)	✓	206118492
7.	Light kit	✓	206118494
8.	Glass	✓	206118495
9.	Light bulb		
10.	Fob (2pcs)		

Please search for the Part ID number to order available replacement parts from [HomeDepot.com](http://HomeDepot.com)



For troubleshooting or installation questions,  
please visit [www.hamptonbay.com](http://www.hamptonbay.com) or call Hampton Bay Customer Service  
Mon-Fri 8 am-7 pm and Sat 9 am-6 pm EST: 1-855-HD-HAMPTON