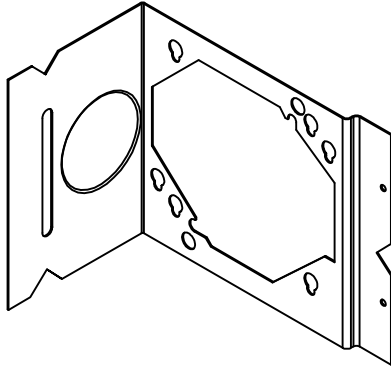
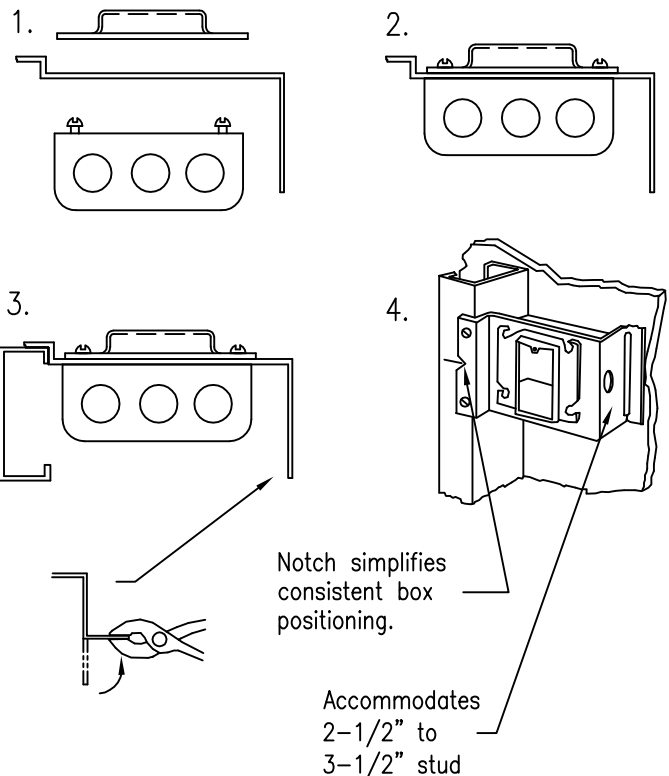


"H" SERIES FASTENER QUICK-MOUNT BOX SUPPORT



1. Place box support between electrical box and plaster ring as shown.
2. Attach plaster ring to box as shown.
3. Position offset in box support fully onto edge of stud as shown. Bend support leg for 2-1/2" stud if necessary.
4. Align arrow on box support with box location mark on stud. Mount assembly to stud using self tapping screws or screw gun.

(Do not feed non-metallic sheathed cables through hole in support leg)



MODEL NUMBER	DESCRIPTION
H23	4" SQ. and 4-11/16" Outlet Boxes to 2-1/2" or 3-1/2" Metal Studs
H4	4" SQ. and 4-11/16" Outlet Boxes to 4" Metal Studs
H6	4" SQ. and 4-11/16" Outlet Boxes to 6" Metal Studs
HS3	Fits Most Switch Boxes for Mounting on 2-1/2" and 3-1/2" Metal Studs

NO LOAD RATING, FOR POSITIONING ONLY.

WARNING

1. ERICO products shall be installed and used only as indicated in ERICO product instruction sheets and training materials. Instruction sheets are available at www.erico.com and from your ERICO customer service representative.
2. ERICO products must never be used for a purpose other than the purpose for which they were designed or in a manner that exceeds specified load ratings.
3. All instructions must be completely followed to ensure proper and safe installation and performance.
4. Improper installation, misuse, misapplication or other failure to completely follow ERICO's instructions and warnings may cause product malfunction, property damage, serious bodily injury and death.
5. Products that are manufactured using spring steel components shall be used only in a non-corrosive indoor environment.
6. All pipe supports, hangers, intermediate components and structural attachments must **ONLY** be used as described herein and are **NEVER** to be used for any other purpose.

NOTE: All load ratings are for static conditions and do not account for dynamic loading such as wind, water or seismic loads, unless otherwise noted.

The customer is responsible for:

- a. Conformance to all governing codes.
- b. The integrity of structures to which the products are attached, including their capability of safely accepting the loads imposed, as evaluated by a qualified engineer.
- c. Using appropriate industry standard hardware as noted above.

SAFETY INSTRUCTIONS: All governing codes and regulations and those required by the job site must be observed. Always use appropriate safety equipment such as eye protection, hard hat, and gloves as appropriate to the application.

CADDY, CADWELD, CRITEC, ERICO, ERIFLEX, ERITECH and LENTON are registered trademarks of ERICO International Corporation.



TECHNICAL SUPPORT:
www.erico.com

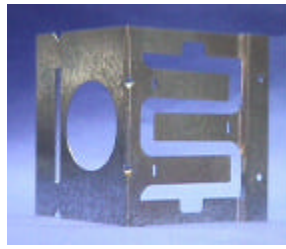
CFS130_F

1 of 2

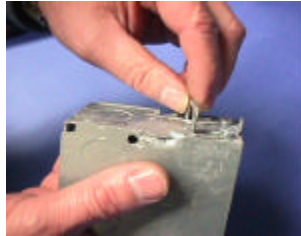
© 2009 ERICO International Corporation



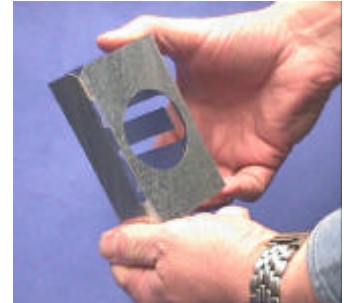
HS3 QUICK MOUNT SWITCH BOX SUPPORT



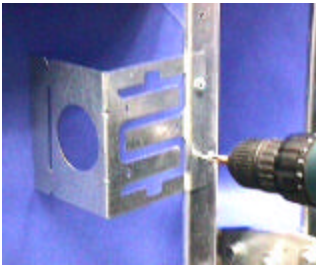
TOOLS REQUIRED



ROTATE DRYWALL EARS
SET DEPTH



BEND FOR 2 1/2" STUD
IF NEEDED



SECURE TO STUD



BEND TABS OUT



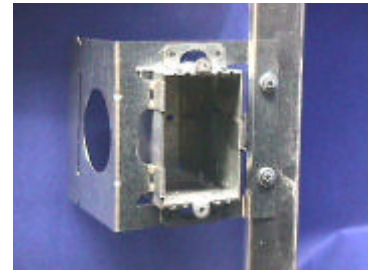
POSITION BOX



BEND TABS BACK INSIDE BOX



CRIMP TABS TIGHTLY ON BOX



WARNING

1. ERICO products shall be installed and used only as indicated in ERICO product instruction sheets and training materials. Instruction sheets are available at www.erico.com and from your ERICO customer service representative.
2. ERICO products must never be used for a purpose other than the purpose for which they were designed or in a manner that exceeds specified load ratings.
3. All instructions must be completely followed to ensure proper and safe installation and performance.
4. Improper installation, misuse, misapplication or other failure to completely follow ERICO's instructions and warnings may cause product malfunction, property damage, serious bodily injury and death.
5. Products that are manufactured using spring steel components shall be used only in a non-corrosive indoor environment.
6. All pipe supports, hangers, intermediate components and structural attachments must **ONLY** be used as described herein and are **NEVER** to be used for any other purpose.

NOTE: All load ratings are for static conditions and do not account for dynamic loading such as wind, water or seismic loads, unless otherwise noted.

The customer is responsible for:

- a. Conformance to all governing codes.
- b. The integrity of structures to which the products are attached, including their capability of safely accepting the loads imposed, as evaluated by a qualified engineer.
- c. Using appropriate industry standard hardware as noted above.

SAFETY INSTRUCTIONS: All governing codes and regulations and those required by the job site must be observed. Always use appropriate safety equipment such as eye protection, hard hat, and gloves as appropriate to the application.

CADDY, CADWELD, CRITEC, ERICO, ERIFLEX, ERITECH and LENTON are registered trademarks of ERICO International Corporation.



TECHNICAL SUPPORT:
www.erico.com

CFS130_F

2 of 2

© 2009 ERICO International Corporation

