

# MAXX COLD

Maxx Cold | The Legacy Companies  
 3355 Enterprise Avenue, Suite 160, Fort Lauderdale, FL 33331  
 (954) 202-7419 • Fax (954) 202-7337 • (877) 600-8401  
 www.MaxximumFoodService.com • Info@MaxxColdFoodService.com

Project Name: \_\_\_\_\_  
 Location: \_\_\_\_\_  
 Item #: \_\_\_\_\_ Qty: \_\_\_\_\_  
 Model: \_\_\_\_\_

## REACH-IN REFRIGERATORS

Model:  MCR-23FD  MCR-49FD  MCR-72FD

International Model:  
 Add -50 (220V/50Hz/1Ph)

MCR-23FD

MCR-49FD



MCR-72FD

Maxx Cold reach-in refrigerators are built to last. Temperature is digitally controlled and easily viewed from the exterior of the cabinet. Stainless steel construction ensures years of reliable service, maximum durability and is easy to clean. Maxx Cold units are designed to meet the requirements of the most discriminating customer.

### FEATURES

- Easy to grip recessed door handles
- Adjustable heavy duty wire shelves (3 per section/door)
- Four (4) or Six (6) 4" diameter casters standard
- Open door alert, beeps when door has been open for three minutes
- Locking doors
- Automatic interior lighting
- Available in 120V/60Hz, 220V/50Hz & 230V/60Hz

### TEMPERATURE

- Holding temperature: 33° to 41°F (1° to 5°C)
- Utilizes environmentally friendly refrigerant R134A
- Digitally controlled temperature system maintains optimum temperature and LED display is easily viewed from exterior
- Large evaporator and condenser for quick cooling and greater efficiency
- Automatic defrost system

### CONSTRUCTION

- Durable, easy to clean stainless steel exterior and interior
- CFC-free Polyurethane insulated walls and doors

### REFRIGERANT

Environmentally friendly CFC & HCFC free R-134A

NEMA 5-15



### ELECTRIC

120/60Hz/1Ph (NEMA 5-15)

Cord set includes plug & 9.8' (3m) cord

International 220V/50Hz & 230V/60Hz models available as options



Certified to  
ANSI-NSF 7



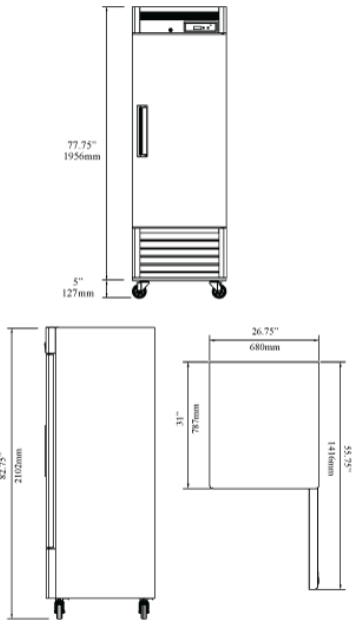
Certified to  
ANSI UL 471

Due to periodic changes in designs, methods, procedures, policies and regulations, the specifications contained in this sheet are subject to change without notice. While we exercise good faith efforts to provide information that is accurate, we are not responsible for errors or omissions in information provided or conclusions reached as a result of using the specifications. By using the information provided, the user assumes all risks in connection with such use.

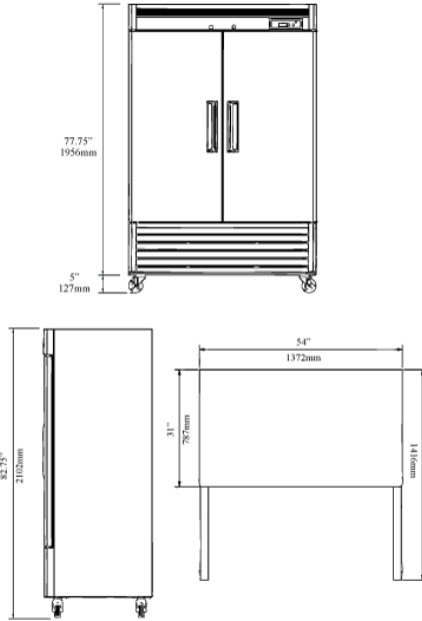
The built in performance enhancing functions ensure that given proper attention and preventative maintenance, each Maxx Product will deliver years of trouble free, reliable, low maintenance, efficient operation.

# REACH-IN REFRIGERATORS

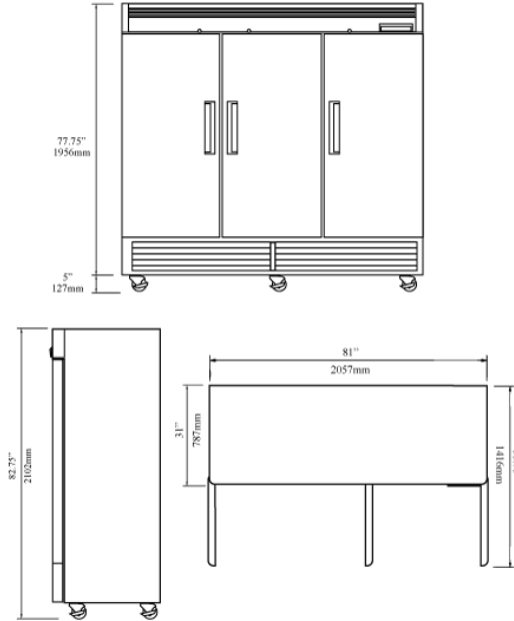
MCR-23FD



MCR-49FD



MCR-72FD



\*Shorter caster options are available to bring overall unit height under 80"

	Dimensions* in / mm	Nominal Capacity	Actual Usable Capacity	Temperature Range	Voltage	Watts	Unit Weight	Shelves
<b>MCR-23FD</b>	26.75 x 31 x 82.75 680 x 787 x 2102	23 Cu Ft 651 L	18.9 Cu Ft 535 L	33° - 41° F 1° - 5° C	120V/60Hz/1	690	271 lb 123 kg	3
<b>MCR-49FD</b>	54 x 31 x 82.75 1370 x 787 x 2102	49 Cu Ft 1387 L	42.8 Cu Ft 1212 L	33 - 41° F 1° - 5° C	120V/60Hz/1	805	397 lb 180 kg	6
<b>MCR-72FD</b>	81 x 31 x 82.75 2057 x 787 x 2102	72 Cu Ft 2039 L	66.7 Cu Ft 1889 L	33 - 41° F 1° - 5° C	120V/60Hz/1	1185	634 lb 287 kg	9

Due to periodic changes in designs, methods, procedures, policies and regulations, the specifications contained in this sheet are subject to change without notice. While we exercise good faith efforts to provide information that is accurate, we are not responsible for errors or omissions in information provided or conclusions reached as a result of using the specifications. By using the information provided, the user assumes all risks in connection with such use.