

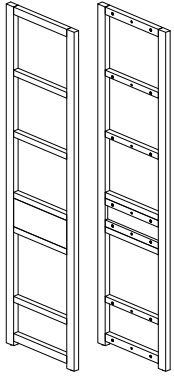
## ASSEMBLY INSTRUCTION

### 5391XXX BOOKSHELF W DRAWER

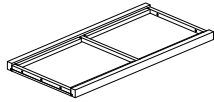
#### PART LIST

DO NOT FULLY TIGHTEN SCREWS AND NUTS UNTIL THE ENTIRE ITEM IS COMPLETELY ASSEMBLED

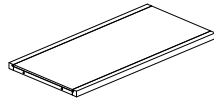
**A** Side Panels (2pcs)  
(Left & Right)



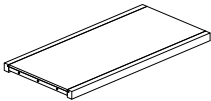
**B** Top Shelf (1pc)



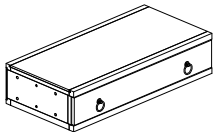
**C** Center Shelf (3pcs)









**D** Bottom Shelf (1pc)



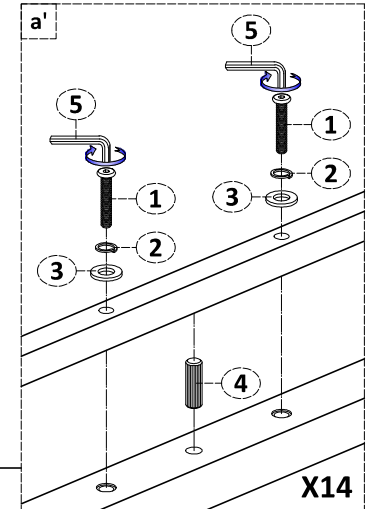
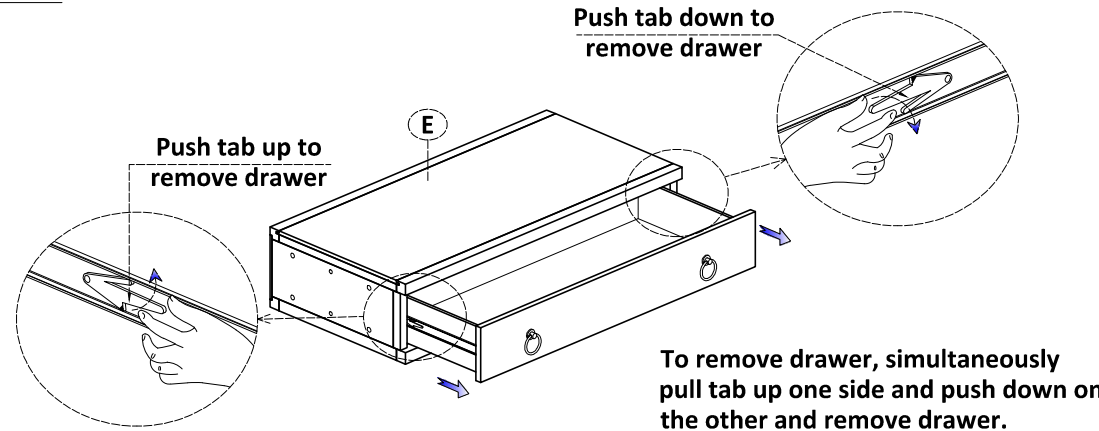
**E** Drawer (1pc)



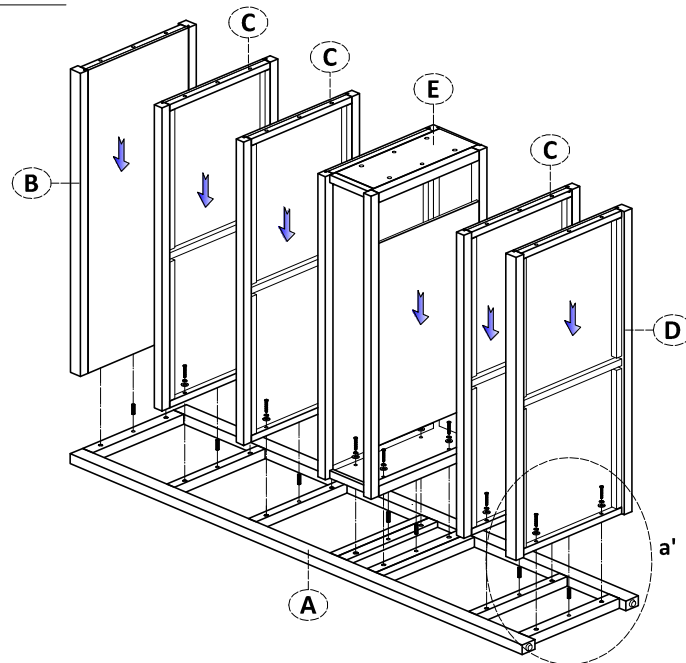
#### HARDWARE LIST

1	2	3
<b>Bolt</b>	<b>Spring Washer</b>	<b>Washer</b>
		
1/4" x 35mm (28 pcs)	5/16" (28 pcs)	5/16" (28 pcs)
<b>4</b> <b>Wooden pegs</b>	<b>5</b> <b>Allen Key</b>	<b>6</b> <b>Anti tip kit</b>
		
Ø10 x 30mm (14 pcs)	(1 pc)	(1 set)

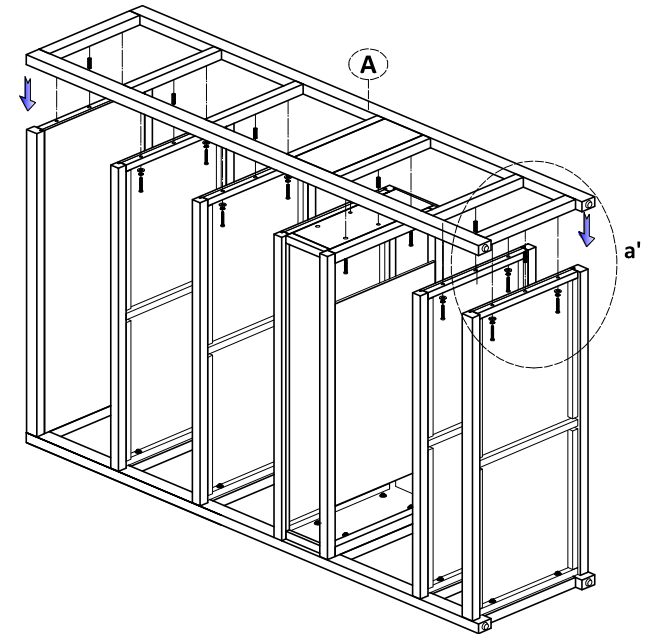
#### STEP 1



#### STEP 2



#### STEP 3



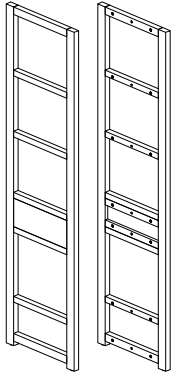
## ASSEMBLY INSTRUCTION

### 5391XXX BOOKSHELF W DRAWER

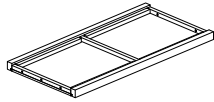
#### PART LIST

**DO NOT FULLY TIGHTEN SCREWS AND NUTS UNTIL THE ENTIRE ITEM IS COMPLETELY ASSEMBLED**

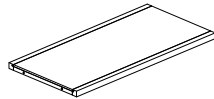
**A** Side Panels (2pcs)  
(Left & Right)



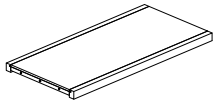
**B** Top Shelf (1pc)



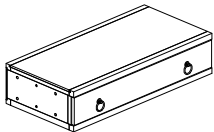
**C** Center Shelf (3pcs)



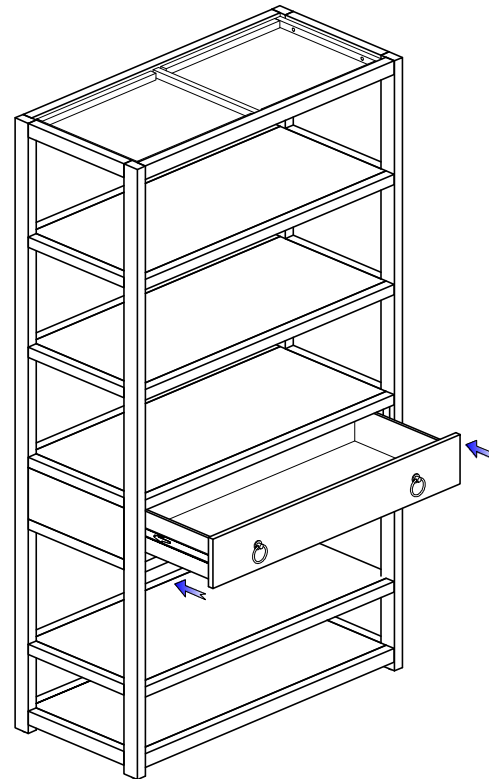
**D** Bottom Shelf (1pc)



**E** Drawer (1pc)



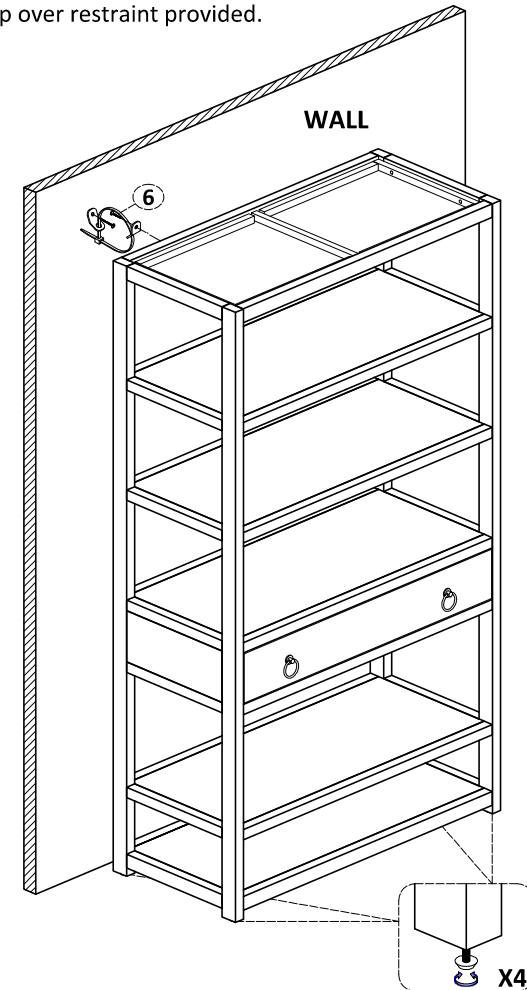
#### STEP 3









#### COMPLETE

★ **PLEASE NOTE:**

To help prevent the possibility of tip-over, install the tip over restraint provided.



#### HARDWARE LIST

1 Bolt  1/4" x 35mm (28 pcs)	2 Spring Washer  5/16" (28 pcs)	3 Washer  5/16" (28 pcs)
4 Wooden pegs  Ø10 x 30mm (14 pcs)	5 Allen Key  (1 pc)	6 Anti tip kit  (1 set)