

# Dyna-Glo®

## 5-BURNER LP GAS GRILL

Model #DGE530SSP/  
#DGE530SSP-D

Français p. 34

Español p. 67



ANS Z21.58-2015  
CSA 1.6-2015  
Outdoor Cooking  
Gas Appliances

### ATTACH YOUR RECEIPT HERE

Serial Number \_\_\_\_\_ Purchase Date \_\_\_\_\_



**Questions, problems, missing parts?** Before returning to your retailer, call our customer service department at 1-877-447-4768, 8:30 a.m. – 4:30 p.m., CST, Monday – Friday or e-mail us at [customerservice@ghpgroupinc.com](mailto:customerservice@ghpgroupinc.com).



## SAFETY INFORMATION

Please read and understand this entire manual before attempting to assemble, operate or install the product. If you have any questions regarding the product, please call customer service at: 1-877-447-4768, 8:30 a.m. – 4:30 p.m., CST, Monday – Friday.

### **DANGER**

- Do not use in an explosive atmosphere. Keep grill area clear and free from combustible materials, gasoline and other flammable vapors and liquids.

#### **CALIFORNIA PROPOSITION 65**

Fuels used in gas or oil fired appliances and the products of combustion of such fuels contain chemicals, including Benzene known to the State of California to cause cancer, birth defects or other reproductive harm. This product contains chemicals, including lead and lead compounds, known to the State of California to cause cancer, birth defects or other reproductive harm.

***Wash hands after handling.***

### **CAUTION**

- Never use charcoal or lighter fluid with the grill.
- Do not use gasoline, kerosene or alcohol for lighting.
- The LP gas cylinder used with this appliance must be:
  - (a) Constructed and marked in accordance with the Specifications for LP-Gas Cylinders of the U.S. Department of Transportation (D.O.T.) or the National Standard of Canada, CAN/CSA-B339, Cylinders, Spheres and Tubes for Transportation of Dangerous Goods; and Commission, as applicable; and
  - (b) Provided with a listed overfilling prevention device.
  - (c) Provided with a cylinder connection device compatible with the connector for outdoor cooking appliances. This grill is not intended to be used in or installed on recreational vehicles and/or boats.
- Never keep a filled container in a hot car or car trunk. Heat will cause the gas pressure to increase, which may open the relief valve and allow gas to escape.
- Always open grill lid slowly and carefully as heat and steam trapped within the grill can burn you severely.

## **! WARNING**

- Do not place the grill under overhead combustible construction or awnings. Minimum clearance from sides and back of unit to combustible construction, 36 inches (914.4mm) from sides and back.

NOTE: The installation must conform with local codes or, in the absence of local codes, with either the National Fuel Gas Code, ANSI Z223.1/NFPA 54, Natural Gas and Propane Installation Code, CSA B149.1, or Propane Storage and Handling Code, B149.2.



## **! CAUTION**

- Do not store or use gasoline or other flammable liquids or vapors in the vicinity of this or any other appliance.
- An LP cylinder not connected for use shall not be stored in the vicinity of this or any other appliance.
- This grill is for use with propane gas only (propane cylinder not included).
- Never attempt to attach this grill to the self-contained propane system of a boat, camper trailer, motor home or house.
- Do not attempt to move the grill while it is lit or when it is hot. The casters should be locked when not moving the grill.
- Do not use the grill unless it is completely assembled and all parts are securely fastened and tightened.
- Keep all combustible items and surfaces at least 36 inches (91.44 cm) away from the grill at all times.
- Do not touch metal parts of grill until it has completely cooled (about 45 minutes) to avoid burns, unless you are wearing protective gear (pot holders, gloves, BBQ mittens, etc...).
- Do not alter this grill in any manner.
- Clean and inspect the hose before each use. If there is evidence of abrasion, wear, cuts, or leaks, the hose must be replaced prior to operating the appliance. The replacement hose assembly will be that which is specified by the manufacturer, listed in the repair parts list in this manual.
- Move gas hoses as far away as possible from hot surfaces and dripping hot grease.
- Keep the grill's valve compartment, burners and circulating air passages clean. Inspect the grill before each use. Do not obstruct the flow of gas or ventilation air.
- The use of alcohol, prescription or non-prescription drugs may impair the operator's ability to properly assemble or safely operate the grill.
- **Do not leave a lit grill unattended. Keep children and pets away from the grill at all times.**
- Do not place this grill on any type of tabletop surface. The grill should be placed on a flat and level surface.
- Do not use the grill in high winds.

## OPERATION INSTRUCTIONS

---

### CHECKING FOR LEAKS

After all connections are made, check all connections and fittings on the LP gas tank valve, gas hose and regulator for leaks with a water and soap solution.

To prevent fire or explosion while testing for a leak:

- Always perform leak test prior to lighting the grill.
- Do not smoke while testing for a leak.
- Always perform leak tests outdoors in a well-ventilated area.
- Do not use any source of flame while testing for leaks.
- Do not use the grill until any and all leaks are corrected.
- If you are unable to correct a leak, disconnect the propane supply and call a gas appliance service dealer.

### PERFORM LEAK TEST

- Prepare leak test solution by combining 1 part liquid dish soap with 3 parts water. Total solution required is approximately 2 - 3 ounces (70 - 90 ml). Put leak test solution in a spray bottle.
- Ensure all control knobs are in the O OFF position.
- Connect the gas hose to the gas supply.
- Open the LP gas tank valve.
- Spray leak test solution on all gas carrying connections and fittings. Presence of bubbles at areas of applied test solution indicates a gas leak. If leaks are detected or you smell or hear gas, shut off the gas supply valve immediately and repair or replace the defective part. Do not use the grill until all leaks are corrected.

## CAUTION

**Only use the regulator and hose assembly provided!** If a replacement is necessary, please call our customer service center. Do not use replacement parts that are not intended for this grill.

## WARNING

**ALL INSTRUCTIONS AND SAFEGUARDS ON THIS PAGE MUST BE FOLLOWED TO PREVENT FIRE, DAMAGE AND/OR INJURY.**

## OPERATION INSTRUCTIONS

### CONNECTING GAS CYLINDER

The propane gas supply cylinder to be used must be constructed and marked in accordance with the Specifications for LP Gas Cylinders of the U.S. Department of Transportation (D.O.T.) or the National Standard of Canada, CAN/CSA-B339, Cylinders, Spheres and Tubes for Transportation of Dangerous Goods; and Commission, as applicable; and Provided with a listed overfilling prevention device.

Use only 20-pound cylinders (height: 18.11 inches, tank diameter: 9.84 inches, foot diameter: 8.03 inches) equipped with a cylinder connection device compatible with the connection for outdoor cooking appliances.

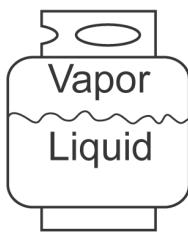
The cylinder must include a collar to protect the cylinder valve. The gas cylinder should not be dropped or handled roughly!

If the appliance is not in use, the gas cylinder must be disconnected. Storage of an appliance indoors is permissible ONLY if the cylinder is disconnected and removed from the appliance. Cylinders must be stored outdoors out of the reach of children and must not be stored in a building, garage or any other enclosed area. Your cylinder must never be stored where temperatures can reach over 125°F.

Place dust cap on cylinder valve outlet whenever the cylinder is not in use. Only install the type of dust cap on the cylinder valve outlet that is provided with the cylinder valve. Other types of caps or plugs may result in leakage of propane.

Before connection, be sure that there is no debris caught in the outlet of the gas cylinder, outlet of the regulator valve or in the outlet of the burner and burner ports. Connect regulator valve and hand-tighten firmly. Keep the propane cylinder valve closed and disconnect the propane cylinder from the regulator valve when the grill is not in use.

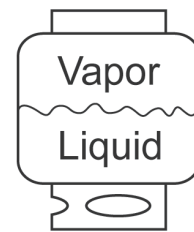
DO NOT obstruct the flow of combustion air and ventilation air to the grill. The propane cylinder must be arranged for vapor withdrawal and equipped with a listed overfilling prevention device. Please use the proper cylinder orientation to provide vapor withdrawal. NOTE: The cylinder must be fully upright for the cylinder to have vapor withdrawal only.



Correct



Wrong



Wrong

## ⚠ CAUTION

- a. Do not store a spare LP-gas cylinder under or near this appliance.
- b. Never fill the cylinder beyond 80 percent full.
- c. If the information in (a) and (b) is not followed exactly, a fire causing death or serious injury may occur.





## OPERATION INSTRUCTIONS

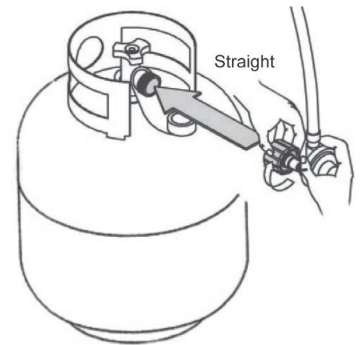
**NOTE:** Other cylinders may be acceptable for use with this appliance provided they are compatible with the appliance nesting hole and retention means. Refer to Step 19 of the Assembly Instructions for correct cylinder to cylinder holder connection.

### ⚠ WARNING

**ALL INSTRUCTIONS AND SAFEGUARDS ON THIS PAGE MUST BE FOLLOWED TO PREVENT FIRE, DAMAGE AND/OR INJURY.**

#### CONNECTING THE LP TANK

1. The knob on the LP tank must be closed. Make sure that the knob is turned  clockwise to a full stop. The cylinder supply system must be arranged for vapor withdrawal.
  2. Check that the control knob on the control unit is turned off.
  3. Remove the protective cap from the LP tank valve and coupling nut.
  4. Hold the regulator in one hand and insert the nipple into the valve outlet. Be sure the nipple is centered in the valve outlet. The coupling nut connects to the large outside threads on the valve outlet. Use care – do not cross thread the connection.
  5. Hand-tighten the coupling nut  clockwise until it comes to a full stop. Firmly tighten by hand only. Do not use tools.
- To Disconnect:** Fully close the tank valve by turning  clockwise. Turn the coupling nut  counterclockwise until the regulator assembly detaches.



### ⚠ WARNING

**In the connection process, make sure:**

- the regulator inlet connector mates with the cylinder valve outlet properly, safely and firmly, and;
- the LP gas hose does not come in contact or remain in contact with the firebox.

## OPERATION INSTRUCTIONS

---

### Lighting The Grill

#### Before first use:



Remove all hangings or plastic straps, if present. Before you cook on your new gas grill, it is important to clean your grill with heat. To do this, operate the grill for approximately 15 minutes with the lid closed and the control knob in the highest position. This will clean the internal parts by burning off any residue and odor from the manufacturing process.

### CAUTION

If the flame extinguishes accidentally during ignition or operation, immediately **TURN OFF** the cylinder valve and then **TURN OFF** the control knob.

### WARNING

Do not lean over grill when lighting. Read instructions before lighting.

1. Check that the control knobs are in the **O OFF** position.
2. Open valve at tank fully by turning  counter-clockwise.
3. Open lid during lighting.
4. Push igniter down 3 to 4 seconds while turning right side control knob to the  **HIGH** position. The burner should ignite.  
If ignition does not take place within 5 seconds, immediately turn the control knob to the **O OFF** position. Wait 5 minutes and repeat step 4 above or refer to match lighting instructions below.
5. Repeat for all other burners.

If the burner still does not light, check that there is gas in the cylinder and follow the match lighting instructions.



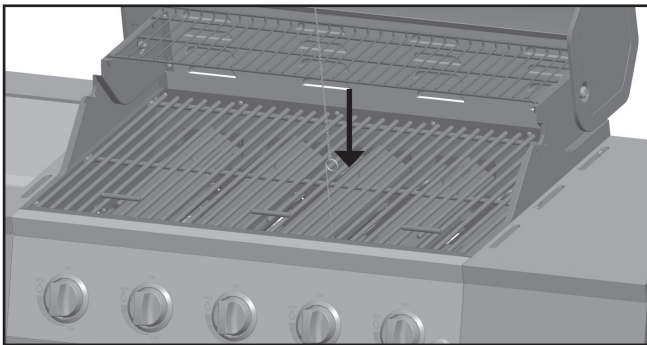
## OPERATION INSTRUCTIONS

### LIGHTING THE GRILL WITH A MATCH

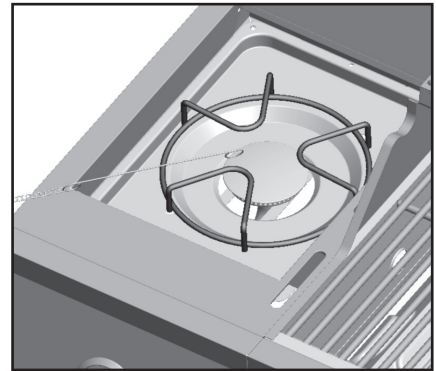
1. Open the lid.
2. Insert a match in the end of the match holder that is installed on the inside of the cabinet door.
3. Light the match.
4. Immediately place the lit match through the spaces in the grill gates near the ports of the burner between the heat tents as shown. Make sure the lit match is close to the burner ports.
5. Press in the control knob that operates the burner and rotate ↺ counter-clockwise to 🔥 High position and burner should light immediately.
6. Repeat 2~5 steps to lighting the remaining burners.
7. Adjust burners to desired cooking settings.

## ⚠ CAUTION

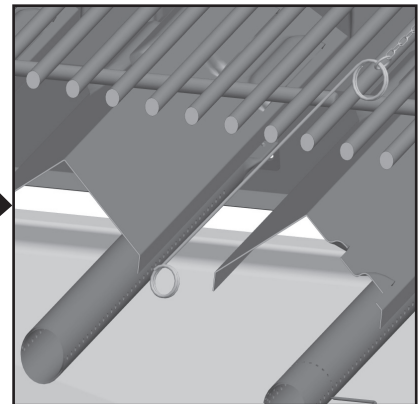
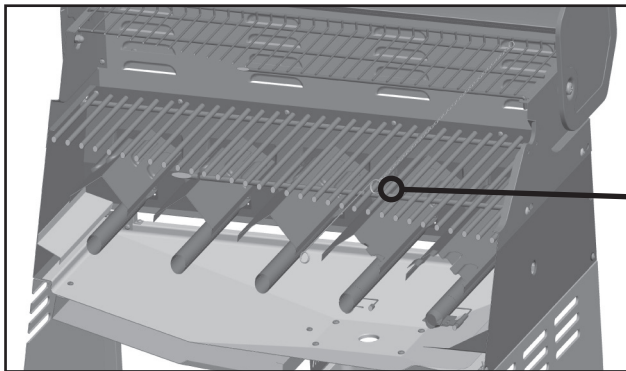
**Make sure all burners controls are off except for the burner being lit and the burners that have been lit.**



Main Burner Match Lighting



Side Burner Match Lighting



### SHUTDOWN INSTRUCTIONS

1. Turn control knobs ↻ clockwise to the O OFF position.
2. Close valve at tank fully by turning ↻ clockwise.
3. Close lid.

Turn off LP supply at cylinder when appliance is not in use.



## CARE AND MAINTENANCE

### Cooking Grates

The best time to 'burn-off' the cooking grates is after every use (approx. 15 minutes). The grill is already hot from cooking thus requiring less fuel to obtain necessary temperature for 'burn-off'.

To 'burn off' or heat clean your grill, turn the burners to highest position and run for 15 minutes with the lid closed. Then turn off the burners and use a wire brush to clean excess food residue from the grates.

The porcelain grates have an enamel finish (similar to glass) and should be handled with care not to chip.

## ⚠ CAUTION

**Ensure the grill is cool before cleaning and conducting maintenance and with the gas supply turned off at the LP-Gas Cylinder.**

### Recommended Cleaning Supplies

Mild liquid dish soap, warm water, nylon cleaning pad, wire brush

DO NOT use cleaners that contain acid, mineral spirits or any abrasive substance.

### Outside Surfaces

It is recommended to use only mild dish soap and hot water to clean grill and grill parts.

Rinse with warm water.

### Inside Bottom Pan of Grill Body

To avoid flare-ups, the bottom pan of the cooking box should be kept clean on a regular basis.

Remove residue using a brush, scraper and/or cleaning pad. Wash with mild dish soap and warm water. Rinse with warm water. Avoid water splashing into venturi tubes of burners.

### Heat Tents

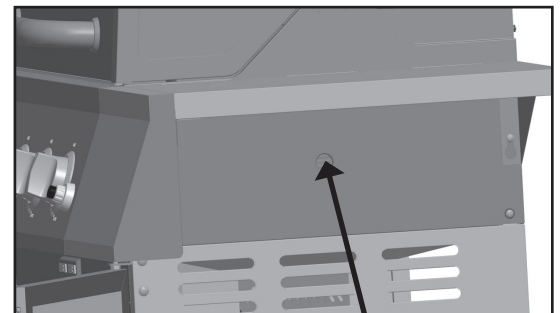
Clean residue with wire brush and wash with mild dish soap and warm water. Rinse with warm water.

### Grease Cup

Empty the grease cup and clean with mild dish soap and warm water on a regular basis.

### Checking The Flame

For maximum fuel efficiency and cooking performance, flame should be a blue-yellow color and be between 1- 2 inches high. To check the flame, view the flame through the holes in both sides of the firebox.



Hole for viewing the flame

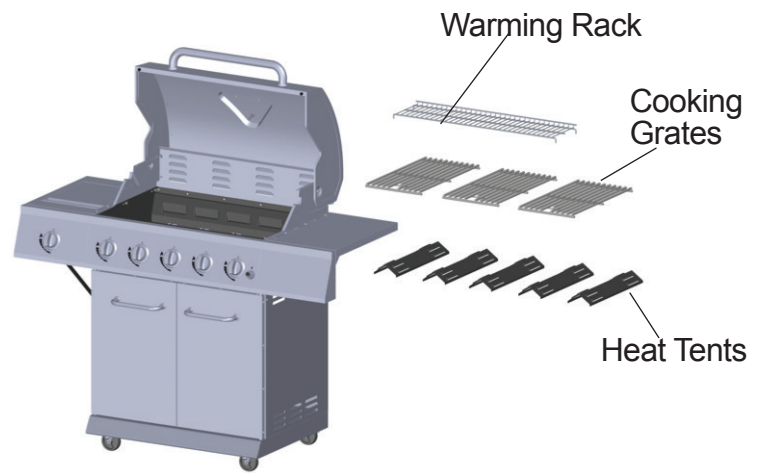


## CARE AND MAINTENANCE

### Burner Assembly

#### Removing The Burner Assembly

1. Make sure all control knobs are in the OFF position, gas supply valve is closed, and the gas hose is disconnected from the gas supply.
2. Open lid and remove warming rack, cooking grates, and heat tents.



3. Remove cotter pin as illustrated in Figure 1. Remove the 2 screws that secure the igniter electrode to the burner as illustrated in Figure 2.

Figure 1

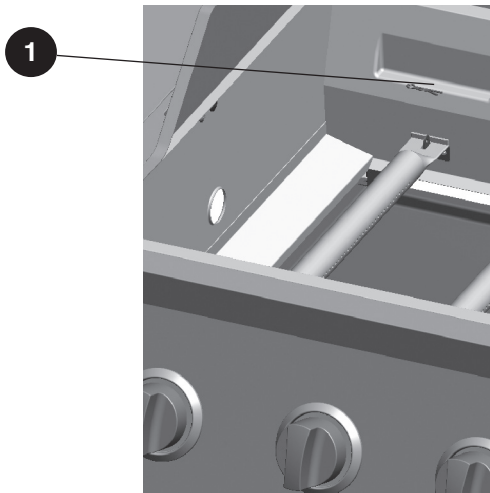
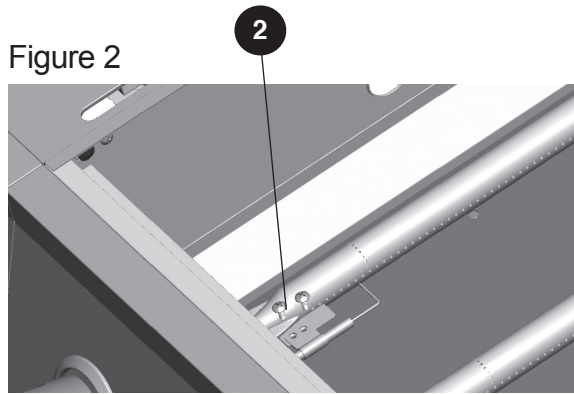
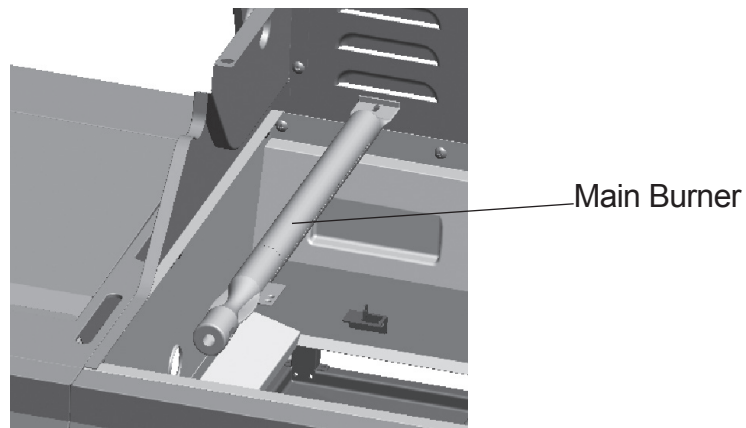


Figure 2



4. Slide burners out of firebox as shown.



## CARE AND MAINTENANCE

### Cleaning the Burner Assembly

– Make sure the grill is cool

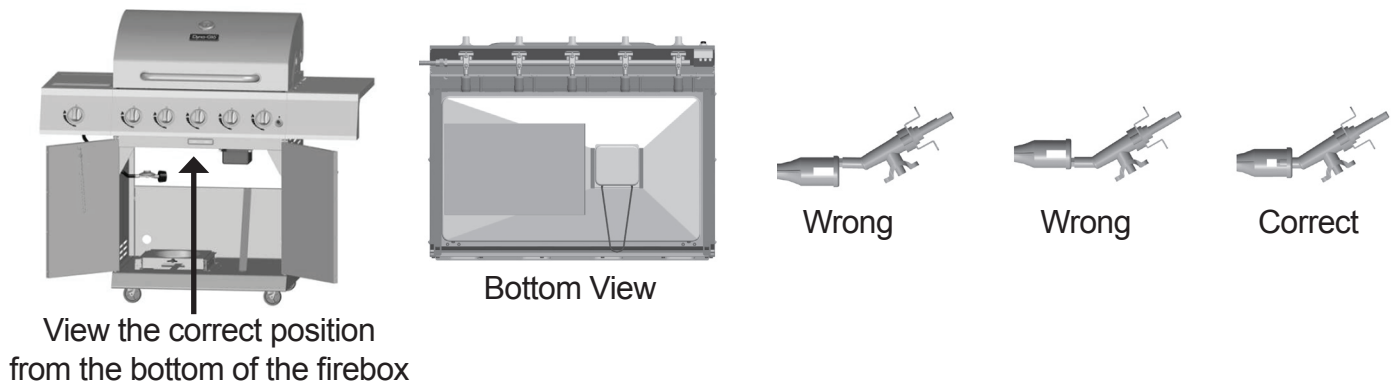
1. Ensure all burner ports are clear of clogs. Use of a pin or paper clip works well.
2. Ensure burner is free of any damage. If damage is found, replace with new burner.
3. Ensure the end of the burner and primary air screen are clear from insect nests, dirt or debris.

### Re-installing the Burner

Ensure that gas valve orifices are correctly positioned inside burner inlet (venturi).

The use of a flashlight may be necessary to ensure the correct position.

It is recommended to view the correct position through the firebox vent holes as illustrated below.



## ⚠ WARNING

**If the instructions above are not followed, a fire or explosion may result, possibly causing serious bodily injury or death.**

### Other Care and Maintenance

It is recommended that inspection and service on this appliance be conducted annually by a qualified service person.

It is recommended that you regularly check that the outdoor cooking appliance area is clear and free from combustible material, gasoline and other flammable vapors and liquids.

It is recommended that you regularly check that the flow of combustion and ventilation air is not obstructed.

It is recommended that you regularly check that the ventilation openings of the grill cabinet are free and clear from debris.

It is recommended that you regularly check and clean the burner/venturi tubes for insects and insect nests. A clogged tube can lead to a fire beneath the grill.

## CARE AND MAINTENANCE

The electronic ignition requires 1 “AA” alkaline battery, which is included.

### **⚠ WARNING**

DO NOT mix old and new batteries.  
DO NOT mix alkaline, standard (Carbon-Zinc), or rechargeable (Nickel-Cadmium) batteries.  
DO NOT dispose of batteries in fire. Improper disposal may cause batteries to leak or explode.

## TROUBLESHOOTING

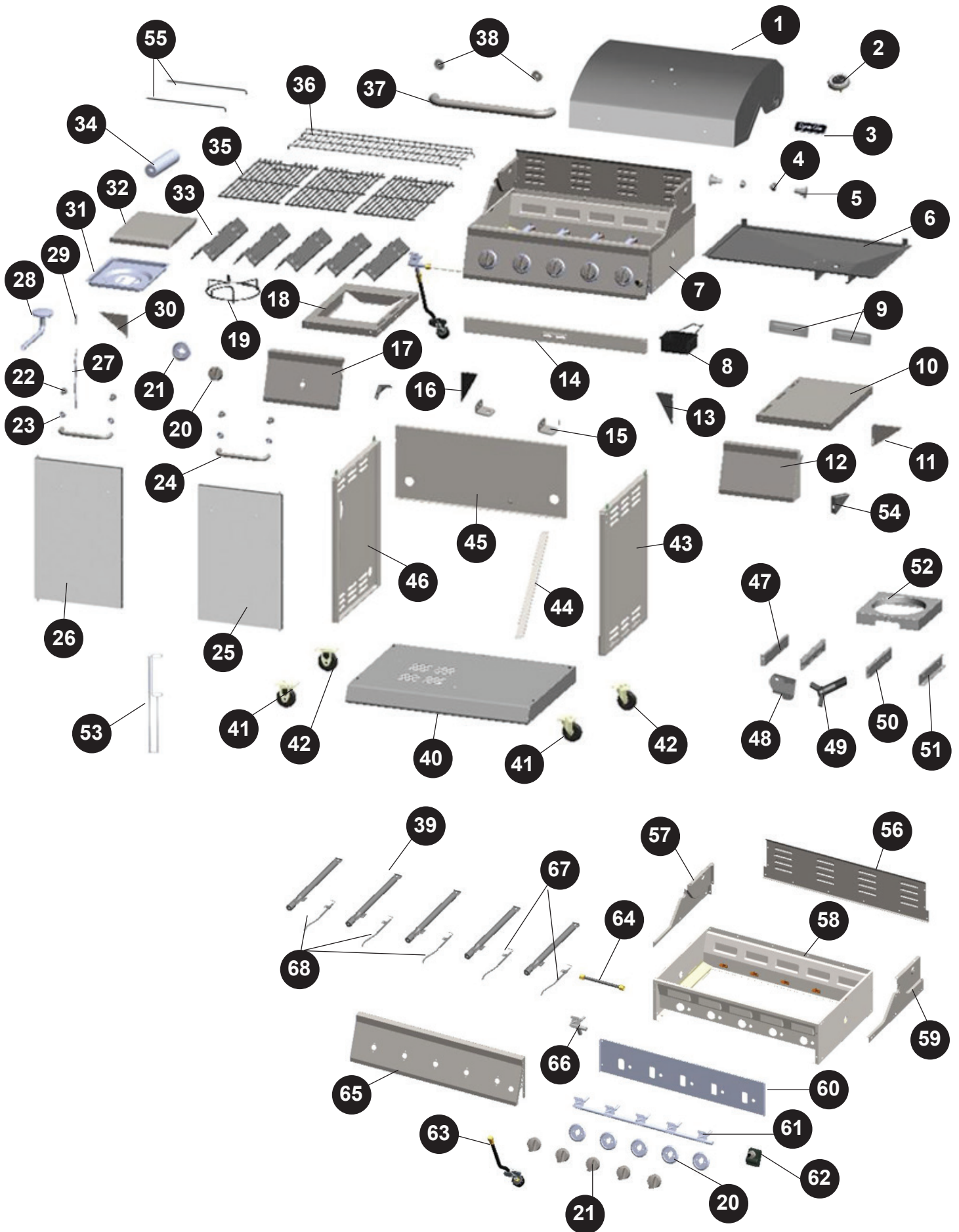
If you have any questions regarding the product, please call customer service at 1-877-447-4768, 8:30 a.m. – 4:30 p.m., CST, Monday – Friday.

PROBLEM	POSSIBLE CAUSE	CORRECTIVE ACTION
<b>The burner will not light using the ignitor procedure (weak or no spark being generated).</b>	<ol style="list-style-type: none"><li>1. The igniter electrode may be covered with grease or residue.</li><li>2. The igniter electrode may have a loose or disconnected wire.</li><li>3. Cracked or broken ignition electrode.</li><li>4. Dead battery or faulty battery connection.</li></ol>	<ol style="list-style-type: none"><li>1. Clean the ignitor electrode.</li><li>2. Check the connection and reconnect any loose or disconnected wires.</li><li>3. Replace ignition electrode (see Replacement Parts List).</li><li>4. Perform any of the following:<ol style="list-style-type: none"><li>a. Replace battery</li><li>b. Check to see if battery is inserted correctly.</li><li>c. Check for any corrosion around battery terminals.</li><li>d. Check wire connections as stated above</li></ol></li></ol>
<b>Low Heat.</b>	<ol style="list-style-type: none"><li>1. Insufficient gas pressure to the unit.</li></ol>	<ol style="list-style-type: none"><li>1. Call a qualified service agency to check the gas supply pressure and correct the pressure.</li></ol>
<b>Excessive Flare Ups.</b>	<ol style="list-style-type: none"><li>1. Grease and/or residue build-up on heat tents or in firebox.</li><li>2. Excessive dripping of fat or marinade from food.</li><li>3. Cooking temperature too high.</li></ol>	<ol style="list-style-type: none"><li>1. Clean the grill components.</li><li>2. Trim the fat from meat and use non-oil based marinades.</li><li>3. Lower temperature accordingly.</li></ol>

## TROUBLESHOOTING

PROBLEM	POSSIBLE CAUSE	CORRECTIVE ACTION
<p><b>The burner will not light with a match.</b></p>	<ol style="list-style-type: none"> <li>1. Match not reaching burners (when holding match with hand).</li> <li>2. Empty tank.</li> <li>3. Poor connection between valve regulator and LP cylinder coupling.</li> <li>4. Burner inlet blocked.</li> </ol>	<ol style="list-style-type: none"> <li>1. Use match holder found in cabinet door.</li> <li>2. Check fuel level and refill tank if necessary.</li> <li>3. Turn off grill knobs, close the LP cylinder valve at top of cylinder and check the connection between the regulator valve and cylinder coupling. Disconnect and reconnect, if necessary.</li> <li>4. Clean the burner inlet (venturi) and burner as described by the Care and Maintenance section in the manual.</li> </ol>
<p><b>No gas flow or an obstructed gas flow.</b></p>	<ol style="list-style-type: none"> <li>1. Tank valve not on or fully opened.</li> <li>2. Empty tank.</li> <li>3. Poor connection between valve regulator and LP cylinder coupling.</li> <li>4. Burner inlet blocked.</li> </ol>	<ol style="list-style-type: none"> <li>1. Fully open tank valve by turning counterclockwise.</li> <li>2. Check fuel level and replace fuel if necessary.</li> <li>3. Turn off grill knobs, close the LP cylinder valve at top of cylinder and check the connection between the regulator valve and cylinder coupling. Disconnect and reconnect, if necessary.</li> <li>4. Clean the burner inlet (venturi) and burner as described by the Care and Maintenance section in the manual.</li> </ol>

# REPLACEMENT PARTS LIST





## REPLACEMENT PARTS LIST

For replacement parts, call our customer service department at 1-877-447-4768, 8:30 a.m. – 4:30 p.m., CST, Monday – Friday.

PART	DESCRIPTION	PART #
1	Lid assembly	70-01-402
2	Temp gage assembly	104 - 12005
3	Badge	104 - 22006
4	M6 Keps Nut-Secure lid pivot pin	70-09-001
5	Lid pivot pin	104 - 12002
6	Grease pan assembly	105 - 04013
7	Firebox assembly - includes lid bumpers	105 - 03001
8	Grease cup assembly	104 - 04014
9	Door Magnet	104 - 14020
10	Side table-right	105 - 04001
11	Support for right side table	105 - 04003
12	Side table front panel assembly-right	105 - 14001
13	Right support for upper front door brace	105 - 14002
14	Upper front door brace	105 - 04011
15	Support for door pin	105 - 14024
16	Left support for upper front door brace	105 - 14025
17	Side table front panel -left	105 - 44001
18	Left side burner table assembly	105 - 44002
19	Side burner cooking grate	105 - 44003
20	Control knob	104 - 13010
21	Control knob bezel	104 - 13009
22	Door handle sleeve	104 - 14023
23	Door handle bezel	104 - 14022
24	Door handle	104 - 14021
25	Door assembly-right	70-01-399
26	Door assembly-left	70-01-400
27	Ignition wire -side burner	105 - 44004
28	Side burner with venture tube-includes screw to attach.	105 - 44005
29	Ignition electrode assembly -side burner	105 - 44006
30	Support for left side burner table	105 - 44007
31	Side burner soup plate	105 - 44008
32	Side burner cover	105 - 44009
33	Heat tent	105 - 13003
34	AA battery(1.5V)	104 - 05002
35	Cooking grate	105 - 13002
36	Warming rack	105 - 13001
37	Lid handle	105 - 12003
38	Lid handle bezel	105 - 12004
39	Main burner - with cotter pin	105 - 13011
40	Bottom shelf	105 - 04006
41	Non-locking swivel caster (3") - Includes 4 screws/flat washers/spring washers	105 - 04017
42	Locking swivel caster (3")- Includes 4 screws/flat washers/spring washers	105 - 04019
43	Cart side panel-right	105 - 04010
44	Cylinder exclusion	105 - 14006



**REPLACEMENT PARTS LIST**

<b>PART</b>	<b>DESCRIPTION</b>	<b>PART #</b>
45	Cart rear panel	105 - 04008
46	Cart side panel-left	105 - 04009
47	Tank shelf retaining plate A	105 - 34001
48	Tank shelf rail locking plate	105 - 34002
49	Cylinder retention screw	105 - 34003
50	Rail	105 - 34004
51	Tank shelf retaining plate B	105 - 34005
52	Tank seat	105 - 34006
53	Match holder-with chain and screw to attach	104 - 14024
54	Side table front panel support-- triangle plate	105 - 14003
55	Side burner cover axis	105 - 44010
56	Firebox rear upper panel	105 - 13019
57	Firebox left upper panel	105 - 13004
58	Firebox assembly—welding structure	105 - 13005
59	Firebox right upper panel	105 - 13015
60	Firebox front heat shield	105 - 13013
61	Main valve and gas tube assembly	105 - 13006
62	Electronic ignitor	105 - 13007
63	Regulator and hose assembly	105 - 13014
64	Corrugate pipe assembly	105 - 13018
65	Control panel assembly	105 - 13008
66	Side burner valve and hose assembly	105 - 13016
67	Main burner electric electrode assembly A-with long wire	105 - 13012
68	Main burner electric electrode assembly B-with short wire	105 - 13017
n/a	Hardware pack	105 - 05001
n/a	Owner's/Instruction manual	70-10-566

# Dyna-Glo®

## BARBECUE AU GAZ LP À 5 BRÛLEURS

Modèle #DGE530SSP/  
#DGE530SSP-D



C US

ANS Z21.58-2015  
CSA 1.6-2015

Pour la cuisson à l'extérieur  
Appareil au gaz

**JOIGNEZ VOTRE REÇU ICI**

Numéro de série \_\_\_\_\_ Date d'achat \_\_\_\_\_



**Des questions, des problèmes, des pièces manquantes?** Avant de retourner l'article au détaillant, appelez notre service à la clientèle au 1-877-447-4768, 08:30-16 heures 30, HNC, du lundi - vendredi ou par e-mail à [customerservice@ghpgroupinc.com](mailto:customerservice@ghpgroupinc.com).

## CONSIGNES DE SÉCURITÉ

Assurez-vous de lire et de comprendre l'intégralité de ce manuel avant de tenter d'assembler, d'utiliser ou d'installer le produit. Si vous avez des questions concernant ce produit, veuillez téléphoner au service à la clientèle au 1-877-447-4768, 08:30-16 heures 30, HNC, du lundi - vendredi.

### DANGER

N'utilisez pas le barbecue dans un endroit présentant un risque d'explosion. Assurez-vous que l'espace autour du barbecue est propre et exempt de matériaux combustibles, d'essence et d'autres vapeurs ou liquides inflammables.

#### PROPOSITION 65 DE LA CALIFORNIE

Les combustibles utilisés dans les appareils de chauffage au gaz ou à l'huile, et les produits de combustion contiennent des produits chimiques, compris Benzene, reconnus par l'État de la Californie comme étant la cause de cancers et d'anomalies congénitales et d'autres problèmes liés aux fonctions reproductrices. Cet appareil contient des produits chimiques, notamment du plomb et des composés de plomb, reconnus par l'État de la Californie comme étant la cause de cancers, d'anomalies congénitales et d'autres problèmes liés aux fonctions reproductrices. **Lavez-vous les mains après l'avoir manipulé.**

### MISE EN GARDE

- N'utilisez jamais de gaz d'allumage pour charbon de bois ou d'essence à briquet avec ce barbecue.
- N'utilisez pas d'essence, de kérosène ni d'alcool pour l'allumage.
- Ce barbecue n'est pas destiné à être utilisé ou installé sur un véhicule récréatif ou un bateau.
- Ouvrez toujours le couvercle du barbecue lentement et avec précaution, car la chaleur et la vapeur emprisonnées qui s'en échappent peuvent causer des brûlures graves.
- N'essayez jamais de faire fonctionner ce barbecue avec du propane.
- Demandez toujours à un service d'entretien autorisé d'installer toute la tuyauterie d'alimentation en gaz nécessaire, la vanne d'arrêt manuel et les raccords à branchement rapide.

## **! AVERTISSEMENT**

- Ne pas utiliser cet appareil sous une surface combustible ou un auvent. Dégagement minimal entre les parois latérales et l'arrière de l'appareil et la construction combustible (914,4 mm (36 po) à partir des parois latérales et 914,4 mm (36 po) à partir de l'arrière).

REMARQUE : L'installation doit être effectuée conformément à la réglementation locale ou, en l'absence d'une telle réglementation, au National Fuel Gas Code, ANSI Z223.1/NFPA 54, Natural Gas and Propane Installation Code, CSA B149.1, ou au Propane Storage and Handling Code, B149.2.



## **! MISE EN GARDE**

- Ne pas entreposer ni utiliser de l'essence ni d'autres vapeurs ou liquides inflammables dans le voisinage de l'appareil, ni de tout autre appareil. Ne rangez aucun produit inflammable dans le chariot du barbecue.
- Une bouteille de propane qui n'est pas raccordée en vue de son utilisation, ne doit pas être entreposée dans le voisinage de cet appareil ou de tout autre appareil.
- Ce barbecue est conçu pour être alimenté par du gaz naturel seulement.
- Ne tentez jamais de raccorder ce barbecue au système autonome d'alimentation en gaz propane d'un bateau d'une caravane, d'une autocaravane ou d'une résidence.
- Ne tentez jamais de déplacer le barbecue lorsqu'il est allumé ou toujours chaud. Verrouillez toujours les roulettes avec frein lorsque vous ne déplacez pas le barbecue.
- N'utilisez pas le barbecue tant qu'il n'est pas complètement assemblé et tant que toutes les pièces ne sont pas fixées et serrées solidement.
- Maintenez tout objet ou toute surface combustible à une distance d'au moins 91,44 cm (36 po) du barbecue, et ce, en tout temps.
- Ne touchez pas les éléments en métal du barbecue avant que celui-ci ne soit complètement refroidi (environ 45 minutes) afin d'éviter les brûlures, à moins d'utiliser des articles de protection (poignées, gants, mitaines pour le barbecue, etc.).
- Ne modifiez ce barbecue d'aucune façon.
- Nettoyez et inspectez le tuyau avant chaque utilisation. Si vous constatez des signes d'abrasion ou d'usure, ou s'il est coupé ou qu'il fuit, il est important de le remplacer avant de faire fonctionner l'appareil. Vous devez utiliser l'ensemble de tuyau de remplacement précisé par le fabricant, lequel est indiqué dans la liste des pièces de rechange de ce manuel.
- Éloignez les tuyaux à gaz le plus loin possible des surfaces chaudes ou des débordements de graisse chaude.
- Assurez-vous que le compartiment du robinet du barbecue, ses brûleurs et les conduits d'aération sont toujours propres. Inspectez le barbecue avant chaque utilisation. N'entravez pas le flux de gaz ou d'air de la ventilation.
- L'alcool, les médicaments sous ordonnance et les médicaments vendus sans ordonnance peuvent affecter les facultés de l'utilisateur, l'empêchant d'assembler ce barbecue correctement ou de l'utiliser de manière sécuritaire.
- Ne laissez pas un barbecue allumé sans surveillance. Gardez le barbecue hors de la portée des enfants et des animaux en tout temps.
- Ne le placez pas sur une table. Placez le barbecue sur une surface plane.
- N'utilisez pas ce barbecue dans des conditions de grands vents.

## MODE D'EMPLOI

### RACCORD DE LA BOUTEILLE DE GAZ

La bouteille de propane liquéfié utilisée doit être fabriquée et identifiée conformément aux normes pour les bouteilles de propane liquéfié du Specifications for LP Gas Cylinders of the U.S. Department of Transportation (D.O.T.) or the National Standard of Canada, CAN/CSA-B339, Cylinders, Spheres and Tubes for Transportation of Dangerous Goods; and Commission, le cas échéant, et munie d'un dispositif de protection contre les débordements.

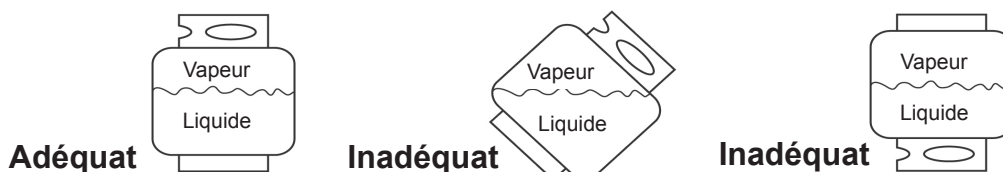
Utilisez seulement une bouteille de 9,07 kg (hauteur de 45,99 cm, diamètre de la bouteille de 24,99 cm, diamètre du pied de 20,4 cm) dotée d'un dispositif de raccord de bouteille compatible avec le raccord des appareils de cuisson à l'extérieur. La bouteille doit comporter un collet protecteur pour le robinet. Prenez soin de ne pas échapper la bouteille de gaz ni la manipuler rudement!

Déconnectez la bouteille de gaz lorsque l'appareil n'est pas utilisé. Il est permis d'entreposer l'appareil à l'intérieur UNIQUEMENT si la bouteille de gaz est déconnectée et retirée de l'appareil. La bouteille doit être entreposée à l'extérieur et placée hors de la portée des enfants. Elle ne doit pas être entreposée dans un immeuble, un garage ou tout autre espace clos. Il ne faut jamais l'entreposer dans un endroit où la température peut excéder 51,7 °C.

Mettez un bouchon antipoussière sur la sortie du robinet d'une bouteille qui n'est pas utilisée. Utilisez uniquement le type de bouchon antipoussière fourni avec le robinet de la bouteille. D'autres types de bouchons pourraient ne pas être étanches et permettre des fuites de propane.

Avant de faire le raccord, assurez-vous qu'aucun débris n'obstrue le tuyau de sortie de la bouteille de gaz, du manodétendeur, du brûleur ou des orifices du brûleur. Raccordez le manodétendeur et resserrez-le à la main fermement. Fermez le robinet de la bouteille, puis déconnectez la bouteille de propane du manodétendeur lorsque le barbecue n'est pas utilisé.

N'ENTRAVEZ PAS le flux d'air de combustion et de ventilation se rendant au barbecue. La bouteille de propane doit être munie d'un système permettant le retrait de la vapeur et d'un dispositif reconnu de prévention des trop-pleins. Veuillez orienter la bouteille dans le sens indiqué pour permettre le retrait de la vapeur. REMARQUE : La bouteille de gaz doit toujours être en position verticale afin de permettre uniquement le retrait de la vapeur.



## ⚠ MISE EN GARDE

- N'entreposez pas de bouteille de GPL sous le barbecue ou à proximité de celui-ci.
- Ne remplissez jamais une bouteille de GPL à plus de 80 % de sa capacité.
- Si les directives mentionnées au point (a) et au point (b) ne sont pas suivies exactement, un incendie causant la mort ou des blessures graves peut se produire.


## MODE D'EMPLOI

**REMARQUE** : Vous pouvez utiliser d'autres bouteilles avec cet appareil, pourvu qu'elles conviennent au trou pour la bouteille et aux dispositifs de fixation. Consultez l'étape 19 des instructions pour l'assemblage pour connaître la manière adéquate de fixer une bouteille au support de bouteille.


## ⚠ AVERTISSEMENT



**TOUTES LES INSTRUCTIONS ET MESURES DE SÉCURITÉ QUI SUIVENT DOIVENT ÊTRE RESPECTÉES AFIN DE PRÉVENIR LES INCENDIES, LES DOMMAGES ET LES BLESSURES.**

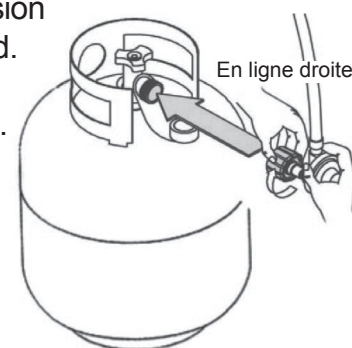
### RACCORDEMENT DE LA BOUTEILLE DE PROPANE

1. Le robinet de la bouteille de propane doit être fermé. Pour vérifier si c'est le cas, assurez-vous qu'il n'est pas possible de le tourner davantage dans le sens des aiguilles  d'une montre. Le système d'alimentation de la bouteille doit être placé de façon à permettre le retrait du propane à l'état gazeux.
2. Vérifiez que le bouton de commande du dispositif de commande du brûleur est à la position « OFF » (arrêt).
3. Retirez le capuchon de protection du robinet du réservoir de propane liquéfié et de l'écrou d'accouplement.
4. Tenez le régulateur dans une main et insérez le mamelon dans le tuyau de sortie. Assurez-vous que le mamelon est bien centré dans le tuyau de sortie.

L'écrou d'accouplement se visse sur les filets extérieurs de grande dimension du tuyau de sortie. Faites attention de ne pas fausser le filetage du raccord.

5. Serrez l'écrou d'accouplement à la main dans le sens des aiguilles  d'une montre jusqu'à ce qu'il ne soit plus possible de le tourner davantage. Vissez-le fermement à la main seulement. N'utilisez pas d'outils.

Déconnexion : Fermez complètement le robinet du réservoir en tournant dans le sens des aiguilles  d'une montre. Tournez dans le sens contraire  des aiguilles d'une montre jusqu'à ce que l'écrou se détache du régulateur.



## ⚠ AVERTISSEMENT

**Lorsque vous effectuez les raccordements, assurez-vous que :**

- le connecteur de l'orifice d'entrée du régulateur est correctement et solidement raccordé au tuyau de sortie de la bouteille;
- le tuyau de gaz propane liquéfié ne touche pas au foyer du barbecue.

## MODE D'EMPLOI

---

### ALLUMAGE DU BARBECUE

#### Avant la première utilisation :



Retirez toutes les étiquettes et les courroies de plastique, le cas échéant. Avant d'utiliser votre nouveau barbecue au gaz, il est nécessaire de le nettoyer à la chaleur. Pour ce faire, faites fonctionner le barbecue pendant une quinzaine de minutes; le couvercle doit être fermé et le bouton de commande, à la position maximale. De cette façon, la chaleur brûlera tous les résidus et dissipera l'odeur provenant du processus de fabrication, nettoyant ainsi les pièces internes.

### ⚠ MISE EN GARDE

**Si la flamme s'éteint accidentellement pendant l'allumage ou l'utilisation du barbecue, FERMEZ immédiatement le robinet de la bouteille de propane, puis FERMEZ le bouton de commande du brûleur.**

### ⚠ AVERTISSEMENT



**Ne vous penchez pas au-dessus du barbecue lorsque vous l'allumez.  
Lisez les instructions avant d'allumer l'appareil.**

1. Vérifiez que les boutons de commande sont à la position O arrêt.
2. Ouvrez complètement le robinet du réservoir en le tournant dans le sens  contraire des aiguilles d'une montre.
3. Ouvrez le couvercle avant d'allumer l'appareil.
4. Enfoncez l'allumeur pendant 3 ou 4 secondes tout en tournant le bouton de commande de droite à la position  maximale. Le brûleur devrait s'allumer. Si l'appareil ne s'allume pas en 5 secondes, fermez le robinet du brûleur, attendez 5 minutes, et procédez de nouveau à l'allumage ou consultez les instructions pour l'allumage avec une allumette indiquées ci-dessous.



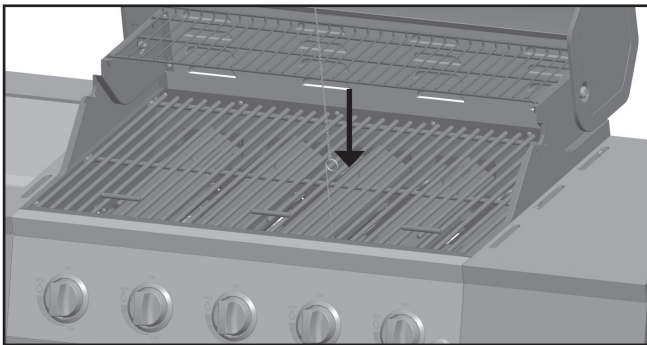
## MODE D'EMPLOI

### ALLUMAGE DU BARBECUE AVEC UNE ALLUMETTE

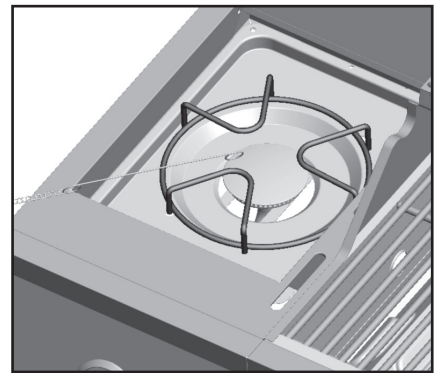
1. Insérez une allumette à l'extrémité du support à allumettes situé à l'intérieur de la porte du charriot.
  2. Allumez l'allumette.
  3. Insérez sans tarder l'allumette enflammée dans le trou de 20 mm (0,75 po) situé sur le côté du corps du barbecue le plus près du brûleur que vous souhaitez allumer. Assurez-vous que l'allumette enflammée est près des orifices du brûleur.
  4. Appuyez sur le bouton de commande lié au brûleur et tournez-le dans le sens  contraire des aiguilles d'une montre à la position  maximale; le brûleur devrait s'allumer immédiatement.
  5. Réglez les brûleurs à l'intensité de cuisson désirée.
- Si vous devez allumer les deux brûleurs, répétez les étapes 1 à 4 afin d'allumer l'autre brûleur.

## ⚠ MISE EN GARDE

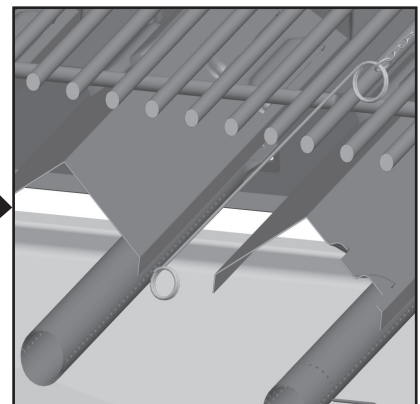
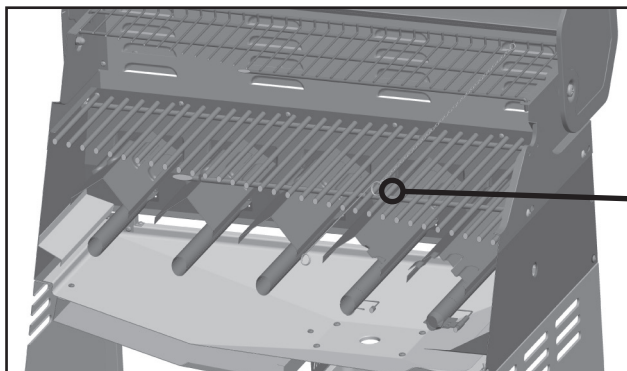
Assurez-vous que toutes les commandes des brûleurs sont éteints, sauf le brûleur étant allumé et les brûleurs qui ont été allumés.





Allumage du brûleur match



Eclairage match du brûleur latéral



### INSTRUCTIONS POUR L'ARRÊT

1. Tournez les boutons de commande dans le sens des  aiguilles d'une montre jusqu'à la position O arrêt.
2. Fermez complètement le robinet du réservoir en le tournant dans le sens des  aiguilles d'une montre.
3. Fermez le couvercle.

Couper l'alimentation en gaz PL à la bouteille si l'appareil n'est pas utilisé.

## ENTRETIEN

### GRILLES DE CUISSON

Il est recommandé de brûler les résidus sur la grille de cuisson environ quinze minutes après chaque utilisation. Le barbecue est encore chaud et nécessite donc moins de gaz pour atteindre la chaleur nécessaire pour brûler les résidus.

Pour brûler les résidus ou nettoyer votre barbecue par la chaleur, allumez les brûleurs à la position maximale et laissez-les fonctionner pendant 15 minutes, le couvercle du barbecue fermé. Ensuite, éteignez les brûleurs et utilisez une brosse métallique afin de nettoyer les résidus de nourriture qui se trouvent sur les grilles.

Les grilles de porcelaine ont un fini d'émail vitrifié (semblable au verre). Veillez à les manipuler avec soin pour ne pas les ébrécher.

## ⚠ MISE EN GARDE

**Avant de nettoyer et d'entretenir le barbecue, assurez-vous qu'il est refroidi et que l'alimentation en gaz de la bouteille de propane est fermée.**

### PRODUITS DE NETTOYAGE RECOMMANDÉS

Savon à vaisselle liquide doux, eau tiède, tampon à récurer en nylon, brosse métallique.

N'utilisez PAS de produits nettoyants contenant de l'acide, de l'essence minérale ou toute substance abrasive.

### SURFACES EXTÉRIEURES

Il est recommandé de n'utiliser que du savon à vaisselle liquide doux et de l'eau chaude pour nettoyer le barbecue et les pièces de celui-ci. Rincez à l'eau tiède.

### CUVETTE INFÉRIEURE À L'INTÉRIEUR DU CORPS DU BARBECUE

Afin d'éviter les montées de flammes, il est recommandé de nettoyer régulièrement la cuvette inférieure située à l'intérieur du barbecue. Enlevez les résidus à l'aide d'une brosse, d'un grattoir ou d'un tampon à récurer. Nettoyez doucement à l'aide de savon à vaisselle liquide doux et d'eau tiède. Rincez à l'eau tiède. Évitez d'éclabousser les tubes diffuseurs des brûleurs.

### PLAQUES CHAUFFANTES

Nettoyez les résidus à l'aide d'une brosse métallique et avec du savon à vaisselle doux et de l'eau tiède. Rincez à l'eau tiède.

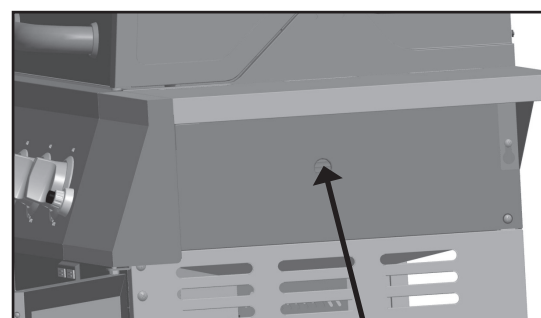
### BAC RAMASSE-GRAISSE

Videz le bac ramasse-graisse, puis nettoyez-le régulièrement avec du savon à vaisselle liquide doux et de l'eau tiède.

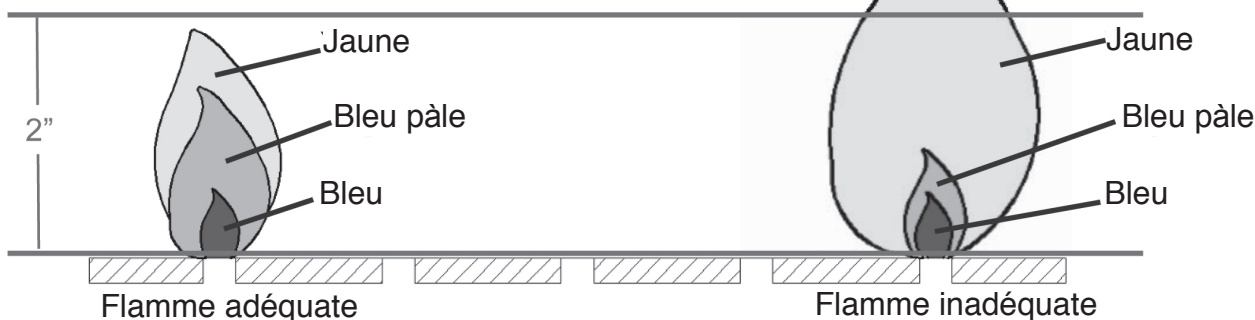
### VÉRIFICATION DE LA FLAMME

Pour obtenir un rendement énergétique optimal ainsi qu'une excellente cuisson, la flamme devrait être jaune et bleue, et sa hauteur, d'environ 2,5 cm à 5 cm.

Pour vérifier la flamme, regardez-la à travers le trou conçu pour allumer les brûleurs à l'aide d'une allumette, situé sur le côté du foyer.



Trou pour visualiser la flamme



## ENTRETIEN

### ENSEMBLE DE BRÛLEUR

#### RETRAIT DE L'ENSEMBLE DE BRÛLEUR

1. Assurez-vous que tous les boutons de commande sont à la position « OFF » (arrêt), que le robinet du réservoir de propane liquéfié est fermé et que ce dernier n'est relié ni au régulateur ni au barbecue.
2. Ouvrez ensuite le couvercle et retirez la grille de maintien au chaud, les grilles de cuisson et les plaques chauffantes.
3. Retirer la goupille comme illustré à la figure 1. Retirez les 2 vis qui fixent l'électrode d'allumage au brûleur comme le montre la figure 2.

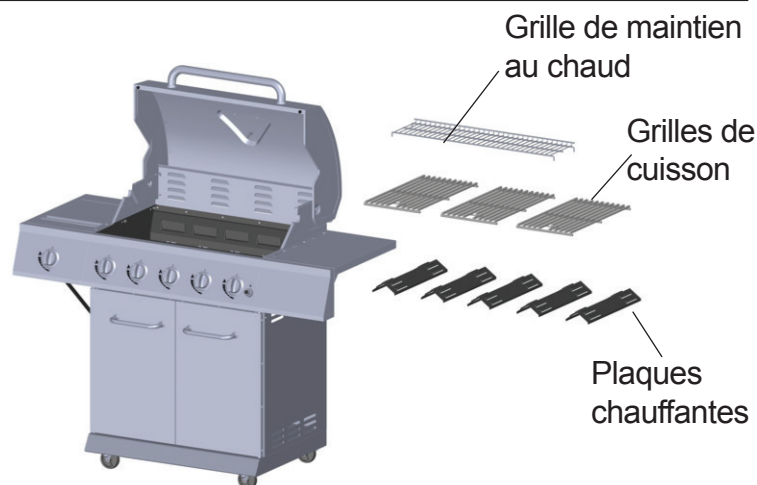


Figure 1

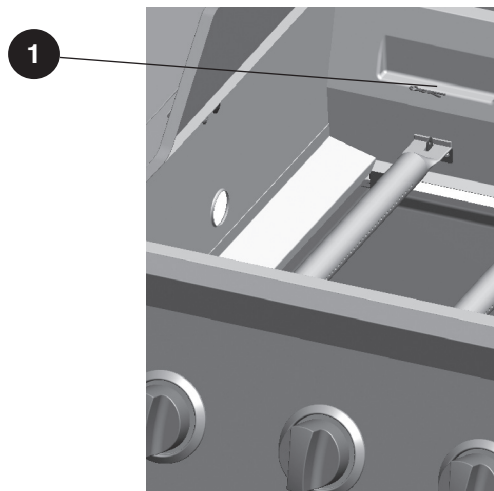
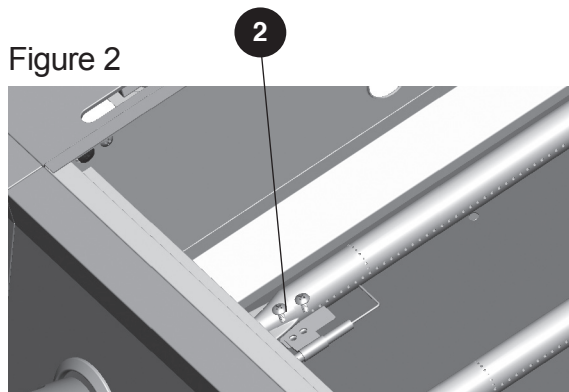
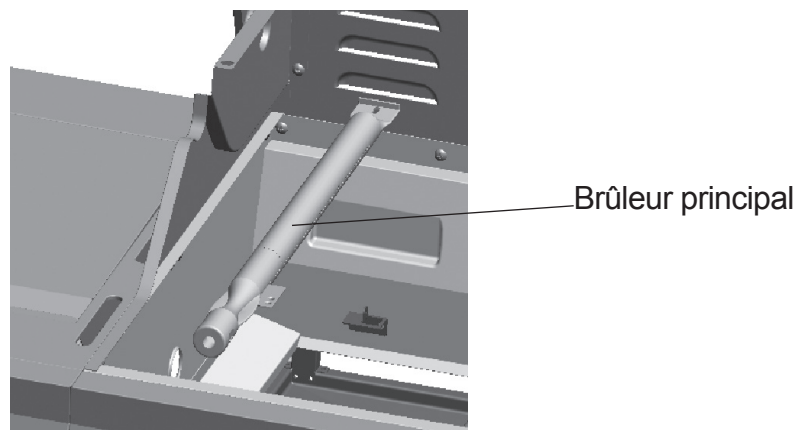


Figure 2



4. Faites glisser hors de la chambre de combustion des brûleurs, comme illustré.



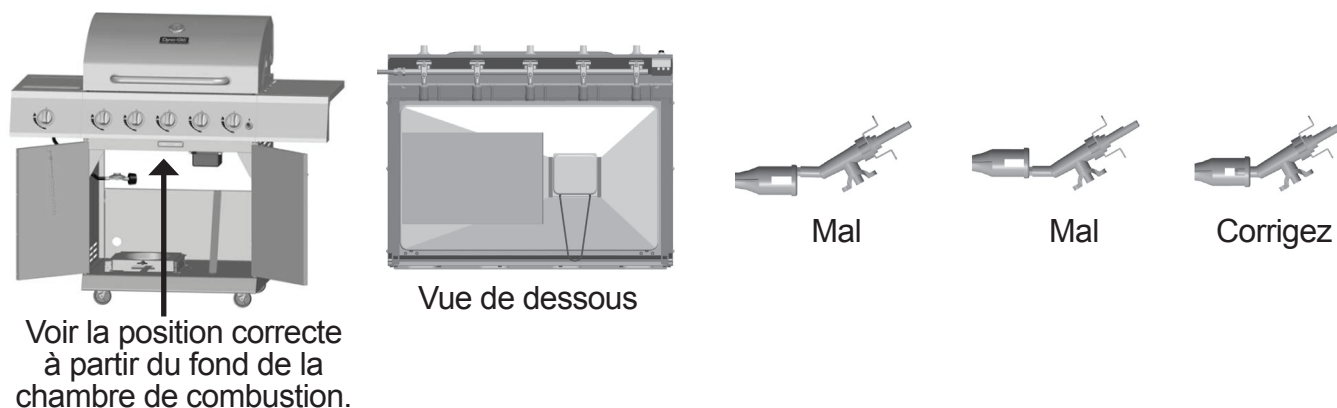
## ENTRETIEN

### NETTOYAGE DE L'ENSEMBLE DE BRÛLEUR – Assurez-vous que le barbecue est refroidi.

1. Fermez l'alimentation en gaz en tournant les boutons de commande du barbecue et le robinet de la bouteille de propane.
2. Retirez la bouteille de gaz propane liquéfié du tuyau et du régulateur.
3. Retirez ensuite la grille de maintien au chaud, les grilles de cuisson et les plaques chauffantes.
4. Retirez les goupilles fendues situées à l'arrière des brûleurs afin de retirer ces derniers des supports.
5. Séparez à la main le fil d'allumage de l'électrode. N'utilisez NI pinces NI aucun autre outil, car vous pourriez endommager l'électrode ou le fil.
6. Soulevez lentement le brûleur.
7. Assurez-vous que tous les orifices du brûleur ne sont pas bouchés. Pour ce faire, utilisez une épingle ou un trombone.
8. Assurez-vous que le brûleur n'est pas endommagé. Le cas échéant, remplacez-le par un nouveau brûleur.
9. Assurez-vous que l'extrémité du brûleur et le filtre à air principal sont exempts de nids d'insectes, de poussière ou de débris.

### RÉINSTALLATION DU BRÛLEUR

Assurez-vous que les orifices du robinet de gaz sont placés correctement à l'intérieur du diffuseur du brûleur (venturi). Vous devrez peut-être utiliser une lampe de poche pour les installer correctement. Il est recommandé de vérifier leur position à travers les trous de ventilation du foyer du barbecue, tel que l'illustre la figure ci-dessous.



## ⚠ AVERTISSEMENT

**Si les directives mentionnées précédemment ne sont pas suivies, un incendie ou une explosion pourrait survenir, risquant de causer des blessures graves, voire la mort.**

### AUTRES TYPES D'ENTRETIEN

Nous vous recommandons de faire faire l'entretien de cet appareil une fois par année par un technicien qualifié.

Nous vous recommandons de vérifier régulièrement que l'espace autour du barbecue au gaz est exempt de tout matériau combustible, essence et autres vapeurs et liquides inflammables.

Nous vous recommandons de vérifier régulièrement que le flux d'air de combustion et de ventilation n'est pas entravé.

Nous vous recommandons de vérifier régulièrement que les ouvertures de ventilation entourant la bouteille (sur le charriot) sont exemptes de débris.

Nous vous recommandons de vérifier régulièrement les tubes du venturi et du brûleur, et de les nettoyer si des insectes ou des nids d'insectes s'y trouvent. Un tube obstrué peut causer un feu sous le barbecue.

## ENTRETIEN

L'allumage électronique nécessite une pile alcaline « AA » incluse.

### **⚠ AVERTISSEMENT**

N'utilisez PAS de vieilles piles avec des piles neuves.

NE combinez PAS des piles alcalines avec des piles ordinaires (carbone-zinc) ou avec des piles rechargeables (nickel-cadmium).

NE jetez PAS les piles au feu. Une mise au rebut inadéquate pourrait causer une fuite ou faire exploser les piles.

## DÉPANNAGE

Si vous avez des questions, veuillez téléphoner au service à la clientèle au 1-877-447-4768, Huit heures et demie-16h30, HNC, du lundi - vendredi.

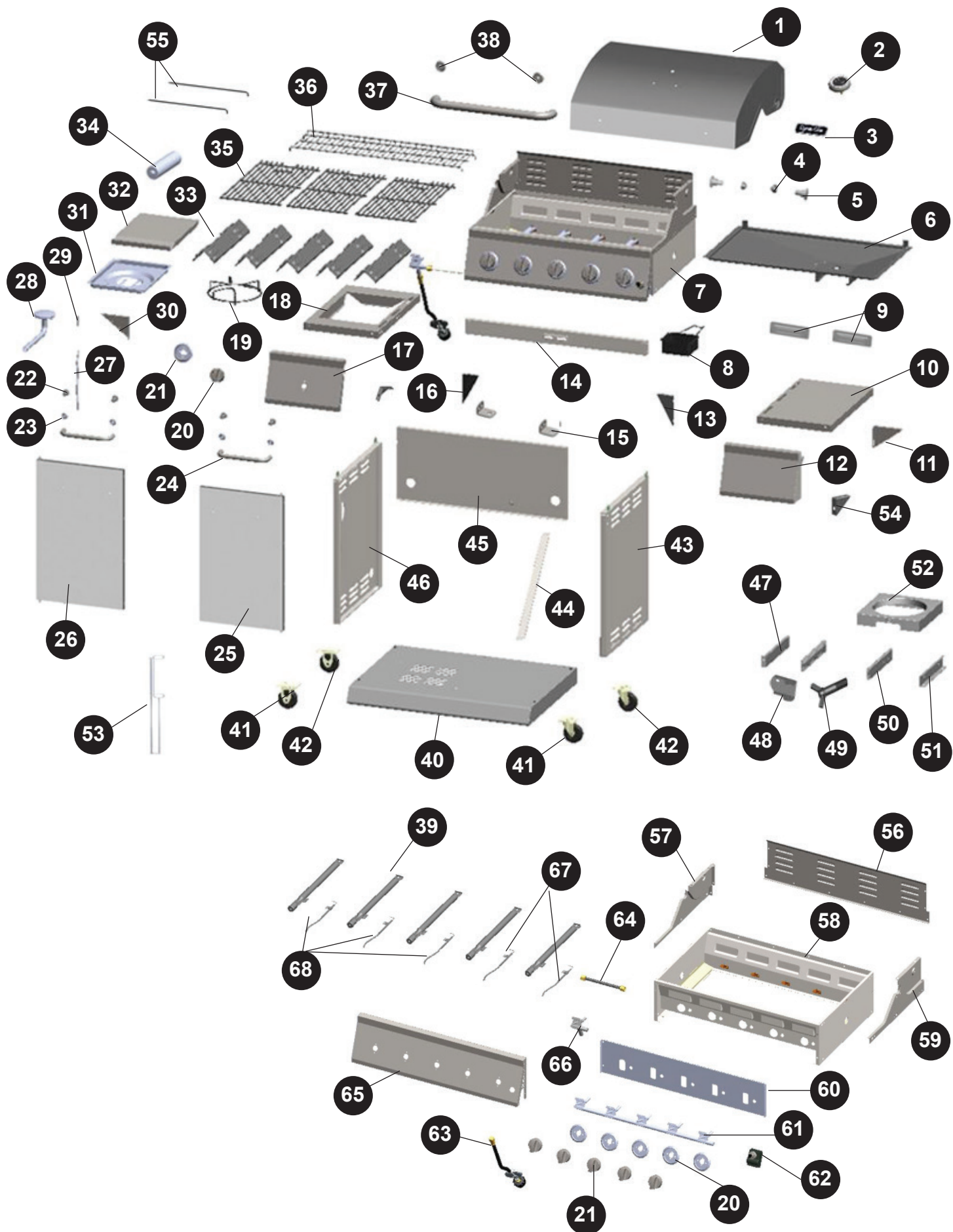
PROBLÈME	CAUSE POSSIBLE	MESURE CORRECTIVE
<b>Le brûleur ne s'allume pas à l'aide de l'allumeur (pas d'étincelle ou étincelle faible).</b>	<ol style="list-style-type: none"><li>1. L'électrode de l'allumeur est couverte de graisse ou de résidus.</li><li>2. Un fil de l'électrode de l'allumeur est mal raccordé ou déconnecté.</li><li>3. L'électrode d'allumage est fissurée ou fendue.</li><li>4. La pile est à plat ou la connexion des piles est inadéquate.</li></ol>	<ol style="list-style-type: none"><li>1. Nettoyez l'électrode de l'allumeur.</li><li>2. Vérifiez les fils et reconnectez tout fil mal raccordé ou déconnecté.</li><li>3. Remplacez l'électrode d'allumage (consultez la liste des pièces de rechange).</li><li>4. Prenez l'une des mesures suivantes :<ol style="list-style-type: none"><li>a. Remplacez la pile.</li><li>b. Vérifiez si la pile est insérée correctement.</li><li>c. Vérifiez si les bornes de la pile présentent des traces de corrosion.</li><li>d. Vérifiez le branchement des fils comme indiqué ci-dessus.</li></ol></li></ol>
<b>La chaleur est faible.</b>	<ol style="list-style-type: none"><li>1. La pression du gaz vers l'appareil est insuffisante.</li></ol>	<ol style="list-style-type: none"><li>1. Communiquez avec un service d'entretien autorisé pour qu'il vérifie la pression de l'alimentation en gaz et la corrige.</li></ol>
<b>Il y a trop de montées de flammes intermittentes.</b>	<ol style="list-style-type: none"><li>1. De la graisse ou des résidus se sont accumulés sur les plaques chauffantes ou dans le foyer du barbecue.</li><li>2. Du gras ou de la marinade a dégoutté de la nourriture en trop grande quantité.</li><li>3. La température de cuisson est trop élevée.</li></ol>	<ol style="list-style-type: none"><li>1. Nettoyez les pièces du barbecue.</li><li>2. Retirez le gras de la viande et n'utilisez pas de marinades à base d'huile.</li><li>3. Réduisez la température en conséquence.</li></ol>

## DÉPANNAGE

PROBLÈME	CAUSE POSSIBLE	MESURE CORRECTIVE
<b>Le brûleur ne s'allume pas à l'aide d'une allumette.</b>	<ol style="list-style-type: none"><li>1. L'allumette n'atteint pas les brûleurs (lorsque vous la tenez d'une main).</li><li>2. L'alimentation en gaz est coupée.</li><li>3. Il y a un mauvais branchement entre le raccord à manchon et l'embout du tuyau de gaz.</li><li>4. L'entrée du brûleur est obstruée.</li></ol>	<ol style="list-style-type: none"><li>1. Utilisez le support à allumettes situé dans la porte de l'armoire.</li><li>2. Vérifiez si la vanne d'arrêt manuel du gaz est ouverte.</li><li>3. Tournez les boutons de commande à la position OFF (fermé), fermez la vanne d'arrêt du gaz, puis vérifiez le branchement du raccord à manchon et de l'embout. Au besoin, déconnectez-les et reconnectez-les.</li><li>4. Nettoyez le diffuseur (venturi) et le brûleur selon les instructions de la section Entretien du manuel.</li></ol>
<b>Le gaz ne circule pas ou sa circulation est entravée.</b>	<ol style="list-style-type: none"><li>1. L'alimentation en gaz est coupée.</li><li>2. Il y a un mauvais branchement entre le raccord à manchon et l'embout du tuyau de gaz.</li><li>3. L'entrée du brûleur est obstruée.</li></ol>	<ol style="list-style-type: none"><li>1. Vérifiez si la vanne d'arrêt manuel du gaz est ouverte.</li><li>2. Tournez les boutons de commande à la position OFF (fermé), fermez la vanne d'arrêt du gaz, puis vérifiez le branchement du raccord à manchon et de l'embout. Au besoin, déconnectez-les et reconnectez-les.</li><li>3. Nettoyez le diffuseur (venturi) et le brûleur selon les instructions de la section Entretien du manuel.</li></ol>



# LISTE DES PIÈCES DE RECHANGE





## LISTE DES PIÈCES DE RECHANGE

Pour les pièces détachées, appelez notre service à la clientèle au 1-877-447-4768, 8 heures 30-16h30, HNC, du lundi - vendredi.

RÉF	DESCRIPTION	NO DE PIÈCE
1	Assemblage couvercle	70-01-402
2	Sonde de température	104 - 12005
3	Logo	104 - 22006
4	M6 écrou à taquets-Secure broches couvercle pivotant	70-09-001
5	Capuchon axe de pivotement	104 - 12002
6	Assemblage plateau à graisse	105 - 04013
7	Assemblage foyer avec protèges couvercle	105 - 03001
8	Assemblage récipient à graisse	104 - 04014
9	Aimant de porte	104 - 14020
10	Table côté droit	105 - 04001
11	Support pour côté droit table	105 - 04003
12	Panneau avant droit table du côté	105 - 14001
13	Support droit pour renfort porte avant	105 - 14002
14	Renfort haut porte avant	105 - 04011
15	Support pivot porte	105 - 14024
16	Support gauche pour renfort porte avant	105 - 14025
17	Table du côté panneau avant gauche	105 - 44001
18	Brûleur gauche assemblage table	105 - 44002
19	Grille de cuisson brûleur du côté	105 - 44003
20	Bouton de réglage	104 - 13010
21	Chanfrein bouton de réglage	104 - 13009
22	Gaine poignée de porte	104 - 14023
23	Chanfrein poignée de porte	104 - 14022
24	Poignée de porte	104 - 14021
25	Assemblage porte droite	70-01-399
26	Assemblage porte gauche	70-01-400
27	Fil d'allumage – brûleur du côté	105 - 44004
28	Brûleur du côté avec tube de venturi et vis pour fixation	105 - 44005
29	Jeu d'électrodes d'allumage (brûleur du côté)	105 - 44006
30	Support pour table gauche brûleur du côté	105 - 44007
31	Assiette à soupe brûleur du côté	105 - 44008
32	Couvercle brûleur du côté	105 - 44009
33	Tente de chaleur	105 - 13003
34	Pile AA (1,5V)	104 - 05002
35	Grille de cuisson	105 - 13002
36	Plaque de réchauffement	105 - 13001
37	Poignée du couvercle	105 - 12003
38	Chanfrein poignée du couvercle	105 - 12004
39	Brûleur principal avec goupille fendue	105 - 13011
40	Tablette du bas	105 - 04006
41	Roulette orientable sans verrou (3) avec 4 vis plates - Rondelles/rondelles à ressort	105 - 04017
42	Roulette orientable à verrou (3) avec 4 vis plate - Rondelles/rondelles à ressort	105 - 04019
43	Panneau droit du charriot	105 - 04010
44	Barre pour empêcher l'installation d'une autre	105 - 14006

## LISTE DES PIÈCES DE RECHANGE

RÉF	DESCRIPTION	NO DE PIÈCE
45	Panneau arrière du charriot	105 - 04008
46	Panneau gauche du charriot	105 - 04009
47	Plaque d'arrêt A étagère du réservoir	105 - 34001
48	Plaque de verrouillage rail étagère du réservoir	105 - 34002
49	Vis de retenue cylindre	105 - 34003
50	Rail	105 - 34004
51	Plaque de retenue B étagère du réservoir	105 - 34005
52	Base réservoir	105 - 34006
53	Porte-allumettes avec chaîne et vis fixation	104 - 14024
54	Table du côté support panneau avant – plaque triangle	105 - 14003
55	Axe couvercle brûleur du côté	105 - 44010
56	Panneau du haut arrière foyer	105 - 13019
57	Panneau du haut gauche arrière du foyer	105 - 13004
58	Assemblage foyer – soudure	105 - 13005
59	Panneau du haut droit foyer	105 - 13015
60	Écran thermique avant du foyer	105 - 13013
61	Assemblage valve et tuyau à gaz principal	105 - 13006
62	Allumeur électronique	105 - 13007
63	Assemblage régulateur et tuyau	105 - 13014
64	Assemblage tuyau ondulé	105 - 13018
65	Assemblage panneau de commande	105 - 13008
66	Assemblage valve et tuyau brûleur du côté	105 - 13016
67	Jeu d'électrodes électrique brûleur principal A avec fil long	105 - 13012
68	Jeu d'électrodes électrique brûleur principal A avec fil court	105 - 13017
n/a	Quincaillerie	105 - 05001
n/a	Livre du propriétaire/ mode d'emploi	70-10-566

# Dyna-Glo®

## PARRILLA A GAS PL DE 5 FOGONES

Modelo #DGE530SSP/  
#DGE530SSP-D



C US

ANS Z21.58-2015  
CSA 1.6-2015  
Cocina en exteriores  
Electrodoméstico a gas

**ADJUNTE SU RECIBO AQUÍ**

Número de serie \_\_\_\_\_ Fecha de compra \_\_\_\_\_



**¿Preguntas, problemas, piezas faltantes?** Antes de volver a la tienda, llame a nuestro Departamento de Servicio al Cliente al 1-877-447-4768, de 8:30 am - 4:30 pm, hora central, de lunes - viernes o envíe un correo electrónico a [customerservice@ghpgroupinc.com](mailto:customerservice@ghpgroupinc.com).

## INFORMACION DE SEGURIDAD

Lea y comprenda completamente este manual antes de intentar ensamblar, usar o instalar el producto. Si tiene preguntas relacionadas con el producto, llame al Servicio al Cliente al: 1-877-447-4768, de 8:30 am - 4:30 pm, hora central, de lunes - viernes.

### PELIGRO

- No utilice la unidad en un entorno explosivo. No debe haber materiales combustibles, gasolina ni otros vapores o líquidos inflamables cerca de la parrilla.

#### PROPUESTA 65 DE CALIFORNIA

Los combustibles que se usan en electrodomesticos de combustión a gas o petróleo y los productos de la incineración de dichos combustibles contienen sustancias químicas incluye Benzene, reconocidas por el estado de California como causantes de cancer, defectos congénitos u otros danos en el aparato reproductivo. Este producto contiene sustancias químicas, incluido plomo y compuestos de plomo, reconocidas por el estado de California como causantes de cancer, defectos congénitos u otros danos en el aparato reproductivo. **Lavese las manos despues de manipularlo.**

### PRECAUCIÓN

- No utilice carbón o líquido para encendedor en la parrilla.
- No use gasolina, queroseno o alcohol para encender la parrilla.
- El cilindro de suministro de gas PL que se utilice con este electrodoméstico debe estar:
  - (a) Fabricado y marcado según las Specifications for LP-Gas Cylinders of the U.S. Department of Transportation (D.O.T.) or the National Standard of Canada, CAN/CSA-B339, Cylinders, Spheres and Tubes for Transportation of Dangerous Goods; and Commission, según corresponda, y
  - (b) Equipado con un dispositivo de prevención de sobrellenado homologado.
  - (c) Equipado con un dispositivo de conexión para el cilindro compatible con el conector para electrodomésticos para cocinar en exteriores. Esta parrilla no está diseñada para usarse o instalarse en vehículos recreativos y/o botes.
- Nunca guarde un contenedor lleno en un auto a altas temperaturas o en el portaequipajes del auto. El calor hace aumentar la presión del gas, lo que puede abrir la válvula de alivio y permitir que escape el gas.
- Siempre abra la tapa de la parrilla lentamente y con cuidado, ya que el calor y el vapor atrapados dentro de la parrilla pueden causarle quemaduras graves.



## INFORMACIÓN DE SEGURIDAD

### ⚠ ADVERTENCIA

- No coloque la parrilla debajo de construcciones o cobertizos inflamables. Debe haber un espacio de separación mínimo de 91,44 cm (36") desde los lados y la parte posterior de la unidad hasta construcciones de material combustible.

NOTA: La instalación debe cumplir con los códigos locales o, en su defecto, con el National Fuel Gas Code, ANSI Z223.1/ NFPA 54, Natural Gas and Propane Installation Code, CSA B149.1, o Propane Storage and Handling Code, B149.2.



### ⚠ PRECAUCIÓN

- NO almacene ni utilice gasolina ni otros vapores o líquidos inflamables dentro de 8 metros (25 pies) de distancia de éste ni de ningún otro electrodoméstico.
- Cualquier tanque de gas propano líquido que no esté conectado y en uso debe almacenarse a una distancia mínima de 3 metros de éste o cualquier otro electrodoméstico.
- Esta parrilla debe utilizarse sólo con gas propano (no se incluye el cilindro de gas propano).
- No intente conectar esta parrilla al sistema de gas propano autocontenido de un bote, remolque para camping, casa rodante o casa.
- No intente mover la parrilla mientras está encendida o caliente. Las ruedas deben estar con seguro cuando la parrilla no se esté moviendo.
- No use la parrilla a menos que esté completamente ensamblada y todas las piezas estén ajustadas y apretadas con firmeza.
- Mantenga todos los artículos y las superficies combustibles a una distancia mínima de 91,44 cm (36") de la parrilla en todo momento.
- No toque las piezas metálicas de la parrilla hasta que se hayan enfriado completamente (espere unos 45 minutos) para evitar quemaduras, a menos que utilice artículos de protección (almohadillas, guantes, manoplas para horno, etc...).
- No altere la parrilla de ninguna manera.
- Limpie e inspeccione la manguera antes de cada uso. Si hay evidencia de abrasión, desgaste, cortes o fugas, se debe reemplazar la manguera antes de operar el electrodoméstico. La manguera de reemplazo debe ser la especificada por el fabricante, que se menciona en la lista de piezas de repuesto de este manual.
- Coloque las mangueras de gas lo más lejos posible de superficies calientes y de donde pueda caer grasa caliente.
- Mantenga limpios el compartimiento de la válvula, los quemadores y los pasajes de circulación de aire de la parrilla. Inspeccione la parrilla antes de cada uso. No obstruya el flujo de gas o del aire de ventilación.
- El consumo de alcohol, medicamentos recetados o medicamentos sin receta puede disminuir la capacidad del usuario para armar o utilizar la parrilla de manera segura.
- No deje la parrilla encendida sin supervisión. Mantenga a los niños y las mascotas alejados de la parrilla en todo momento.
- No coloque la parrilla sobre ningún tipo superficie de mesa. La parrilla se debe colocar sobre una superficie plana y nivelada.
- No use la parrilla si hay viento fuerte.

## INSTRUCCIONES DE FUNCIONAMIENTO

---

### BÚSQUEDA DE FUGAS

Después de hacer todas las conexiones, verifique que ninguna de las conexiones y los conectores de la válvula del tanque de gas PL, la manguera de gas ni el regulador tenga fugas con una solución de agua y jabón.

Para evitar incendios o explosiones al revisar una fuga:

- Siempre realice la prueba de fuga antes de encender la parrilla.
- No fume durante la prueba de fuga.
- Siempre realice las pruebas de fugas en exteriores, en un área bien ventilada.
- No utilice ninguna fuente de llamas la realizar la prueba de fugas.
- No use la parrilla hasta que haya corregido todas las fugas.
- Si no puede corregir una fuga, desconecte el suministro de propano y llame a un proveedor de servicios de electrodomésticos a gas.

### REALIZACIÓN DE UNA PRUEBA DE FUGAS

- Prepare una solución de prueba de fugas mezclando 1 parte de detergente líquido para platos y 3 partes de agua. La solución total necesaria es de aproximadamente 59,15 a 88,72 ml (2 a 3 oz). Coloque la solución para pruebas de fuga en una botella con atomizador.
- Asegúrese de que todas las perillas de control estén en la posición O APAGADO.
- Abra la válvula del tanque de gas PL.
- Rocíe la solución para pruebas de fugas en todas las conexiones y los conectores por donde circule gas. La presencia de burbujas donde se aplicó la solución para pruebas indica una fuga de gas. Si detecta fugas o huele u oye gas, cierre el tanque de gas PL inmediatamente y repare o reemplace la pieza defectuosa. No use la parrilla hasta que haya corregido todas las fugas.

## **⚠ PRECAUCIÓN**

**Use solamente el ensamble del regulador y la manguera incluido.** Si necesita un repuesto, llame a nuestro centro de servicio al cliente. No use piezas de repuesto que no están diseñadas para esta parrilla.

## **⚠ ADVERTENCIA**

**TODAS LAS INSTRUCCIONES Y PRECAUCIONES EN ESTA PÁGINA DEBE SEGUIR PARA EVITAR UN INCENDIO, DAÑOS Y / O LESIONES.**

## INSTRUCCIONES DE FUNCIONAMIENTO

### CONEXIÓN DEL CILINDRO DE GAS

El cilindro de suministro de gas propano que se utilizará debe estar fabricado y marcado según las Specifications for LP-Gas Cylinders of the U.S. Department of Transportation (D.O.T.) or the National Standard of Canada, CAN/CSA-B339, Cylinders, Spheres and Tubes for Transportation of Dangerous Goods; and Commission, según corresponda; y debe incluir un dispositivo de prevención de sobrellenado homologado.

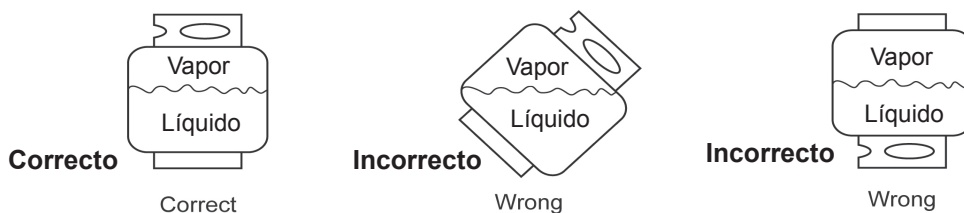
Sólo use cilindros de 9 kg (altura 46 cm, diámetro del tanque 24,99 cm, diámetro de la base: 20,40 cm) equipado con un dispositivo de conexión para el cilindro compatible con la conexión para electrodomésticos para cocinar en exteriores. El cilindro debe incluir un anillo para proteger su válvula. No debe dejar caer el cilindro de gas ni manipularlo bruscamente.

Si no utiliza el electrodoméstico, debe desconectar el cilindro de gas. Puede almacenar la unidad en el interior SÓLO si desconecta y retira el cilindro del electrodoméstico. Los cilindros se deben almacenar en el exterior, fuera del alcance de los niños, y no deben almacenarse en un edificio, garaje o cualquier otra área cerrada. El cilindro nunca se debe almacenar en lugares en que las temperaturas puedan superar los 51,6 °C.

Coloque la tapa en la salida de la válvula del cilindro cuando no esté en uso. Sólo instale el tipo de tapa que se proporciona con la válvula del cilindro en la salida de la válvula del cilindro. Otros tipos de tapas o taponos pueden causar una fuga de propano.

Antes de la conexión, asegúrese de que no haya suciedad en la salida del cilindro de gas, la salida de la válvula del regulador o en la salida y los orificios de los quemadores. Conecte la válvula del regulador y apriete firmemente con la mano. Mantenga la válvula del cilindro de propano cerrada y desconecte el cilindro de propano de la válvula del regulador cuando no use la parrilla.

NO obstruya el flujo del aire de combustión y del aire de ventilación a la parrilla. El cilindro de propano debe estar arreglado para extracción de vapor y equipado con un dispositivo de prevención de sobrellenado homologado. Coloque el cilindro en la orientación correcta para realizar la extracción de vapor. NOTA: El cilindro debe estar completamente vertical para que el cilindro sólo tenga extracción de vapor.



## ⚠ PRECAUCIÓN

- No almacene un cilindro de gas PL de reserva debajo o cerca de este electrodoméstico.
- Nunca llene el cilindro a más del 80% de su capacidad.
- Si no sigue con precisión la información en (a) y (b), puede provocar un incendio que produzca lesiones graves o la muerte.



## INSTRUCCIONES DE FUNCIONAMIENTO

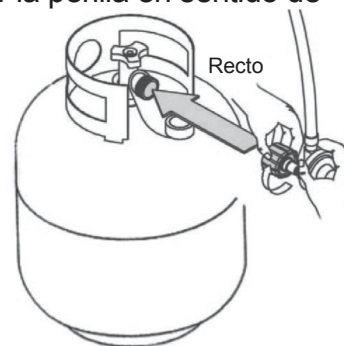
**NOTA:** Es posible que otros cilindros sean aceptables para su uso con este electrodoméstico si es que son compatibles con el orificio de alojamiento y los medios de retención del electrodoméstico. Consulte el Paso 19 de las Instrucciones de ensamblaje para conocer la conexión correcta del cilindro al soporte del cilindro.

### ⚠ ADVERTENCIA

**SE DEBEN SEGUIR TODAS LAS INSTRUCCIONES Y MEDIDAS DE SEGURIDAD DE ESTA PÁGINA PARA EVITAR INCENDIOS, DAÑOS Y/O LESIONES.**

### CONEXIÓN DEL TANQUE DE GAS PROPANO

1. La perilla del tanque de gas propano debe estar cerrada. Asegúrese de girar la perilla en sentido de las manecillas del reloj ↻ hasta que se detenga por completo. Se debe adaptar el sistema de suministro del cilindro para la extracción de vapores.
  2. Verifique que la perilla de control en la unidad de control esté apagada.
  3. Retire la tapa protectora de la válvula del tanque de gas propano y la tuerca del conector.
  4. Sostenga el regulador con una mano e inserte la boquilla en la salida de la válvula. Asegúrese de que la boquilla esté centrada en la salida de la válvula. La tuerca del conector se conecta a las roscas externas grandes en la salida de la válvula. Tenga cuidado, no dañe las roscas de la conexión.
  5. Apriete a mano la tuerca del conector en sentido de las manecillas del reloj ↻ hasta que se detenga por completo. Apriete bien, a mano solamente. No use herramientas.
- Para desconectar: Cierre completamente la válvula del tanque girándola de las manecillas del reloj ↻. Gire la tuerca de acoplamiento contraria a las manecillas del reloj ↻ hasta que el regulador se separa de montaje.



### ⚠ ADVERTENCIA

**En el proceso de conexión, asegúrese de que:**

- El conector de entrada del regulador coincida con la salida de la válvula del cilindro de manera correcta, segura y firme, y;
- La manguera de gas propano no entre en contacto ni permanezca en contacto con la cámara de combustión.

## INSTRUCCIONES DE FUNCIONAMIENTO

---

### Encender la parrilla

Antes del primer uso:



Retire todos los ahorcamientos o correas de plástico, si está presente. Antes de cocinar en la parrilla de gas nuevo, es importante para limpiar su parrilla con el calor. Para ello, utilice el grill durante unos 15 minutos con la tapa cerrada y el botón de control en la posición más alta. Esto va a limpiar las partes internas de la quema de los residuos y el olor del proceso de fabricación.

## ⚠ PRECAUCIÓN

**Si la llama se apaga de manera accidental durante el encendido o el funcionamiento, CIERRE la válvula del cilindro y la perilla de control de inmediato.**

## ⚠ ADVERTENCIA

**No se incline sobre la parrilla al encenderla. Lea las instrucciones antes de encender la parrilla.**

1. Verifique que las perillas de control estén en la posición **O Apague**.
2. Abra completamente la válvula del tanque girándola en dirección  contraria a las manecillas del reloj.
3. Abra la tapa durante el encendido.
4. Presione el encendedor 3 a 4 segundos mientras gira la perilla de control lateral derecha a la posición  **ALTA**. El quemador debe encenderse.  
Si el quemador no enciende en 5 segundos, gire de inmediato la perilla de control a la posición **O Apague**. Espere 5 minutos y repita el paso 4 que aparece anteriormente o consulte las instrucciones de encendido con fósforo que aparecen a continuación.

Si el quemador continúa sin encenderse, verifique que el cilindro tiene gas y siga las instrucciones de encendido con fósforos.

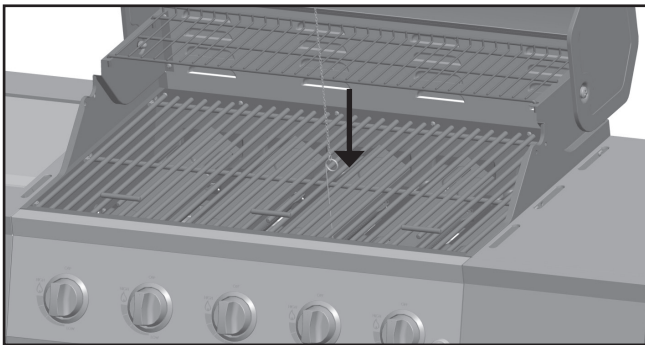
## INSTRUCCIONES DE FUNCIONAMIENTO

### ENCENDIDO DE LA PARRILLA CON UN FÓSFORO

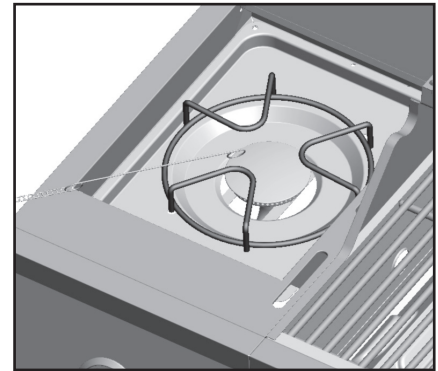
1. Coloque un fósforo en el extremo del contenedor de fósforos instalado en el interior de la puerta del gabinete.
2. Encienda el fósforo.
3. Inmediatamente introduzca el fósforo encendido en el orificio de 1,91 cm (0,75") del costado del cuerpo de la parrilla que esté más cerca del quemador que desea encender. Asegúrese de que el fósforo encendido esté cerca de los orificios del quemador.
4. Presione la perilla de control que opera ese quemador y gírela en dirección ↻ contraria a las manecillas del reloj hasta la posición 🔥 ALTA y el quemador debería encenderse de inmediato.
5. Ajuste los quemadores según el nivel de cocción deseado.

## ⚠ PRECAUCIÓN

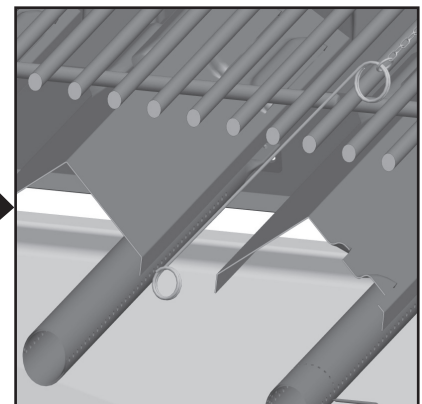
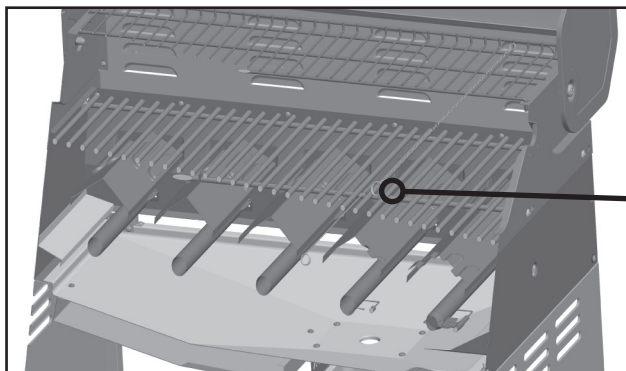
Si la llama se extingue accidentalmente durante el encendido o el funcionamiento, **CIERRE** inmediatamente la válvula de cierre de gas manual y luego **APAGUE** la perilla de control.



Quemador Principal Iluminación Partido



Quemador Lateral Encendido



### INSTRUCCIONES DE APAGADO

1. Gire las perillas de control en la ↻ dirección de las manecillas del reloj hacia la posición 0 Apague.
2. Cierre la válvula del tanque completamente girándola en la ↻ dirección de las manecillas del reloj.
3. Cierre la tapa.

Corte el suministro de gas propano en el cilindro cuando no utilice el electrodoméstico.

## CUIDADO Y MANTENIMIENTO

### REJILLAS DE COCCIÓN

El mejor momento para “quemar” la suciedad las rejillas de cocción es después de cada uso (aproximadamente 15 minutos). La parrilla ya está caliente desde la cocción, por lo tanto, requiere menos combustible para obtener la temperatura necesaria para “quemar” la suciedad.

Para “quemar” la suciedad o limpiar con calor la parrilla, gire los quemadores a la posición máxima y déjelos encendidos durante 15 minutos con la tapa cerrada. Luego apague los quemadores y use un cepillo de alambre para limpiar el exceso de residuos de alimentos de las rejillas.

Las rejillas de porcelana tienen un acabado de esmalte (similar al vidrio) y se deben manipular con cuidado para no descascararlas.

## ⚠ PRECAUCIÓN

**Asegúrese de que la parrilla esté fría antes de limpiar y realizar mantenimiento y de que tenga el suministro de gas cortado en la válvula de cierre de gas manual.**

### ARTÍCULOS DE LIMPIEZA RECOMENDADOS

Detergente líquido suave para platos, agua tibia, almohadilla de limpieza de nailon, cepillo de alambre. NO use limpiadores que contengan ácido, aguarrás ni ninguna sustancia abrasiva.

### SUPERFICIES EXTERIORES

Se recomienda usar sólo detergente para platos suave y agua caliente para limpiar la parrilla y sus piezas. Enjuague con agua tibia.

### BANDEJA INFERIOR INTERIOR DEL CUERPO DE LA PARRILLA

Para evitar llamaradas, la bandeja inferior de la cámara de cocción se debe mantener limpia de forma regular. Retire los residuos con un cepillo, raspador y/o almohadilla de limpieza. Lave con detergente para platos suave y agua tibia. Enjuague con agua tibia. Evite salpicar agua en los tubos venturi de los quemadores.

### CÁMARAS DE CALOR

Limpie los residuos con un cepillo de alambre y lave con detergente para platos suave y agua tibia.

Enjuague con agua tibia.

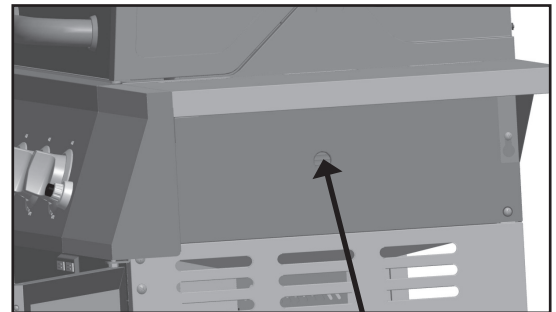
### RECIPIENTE DE GRASA

Vacíe el recipiente de grasa y limpie con detergente para platos suave y agua tibia de forma regular.

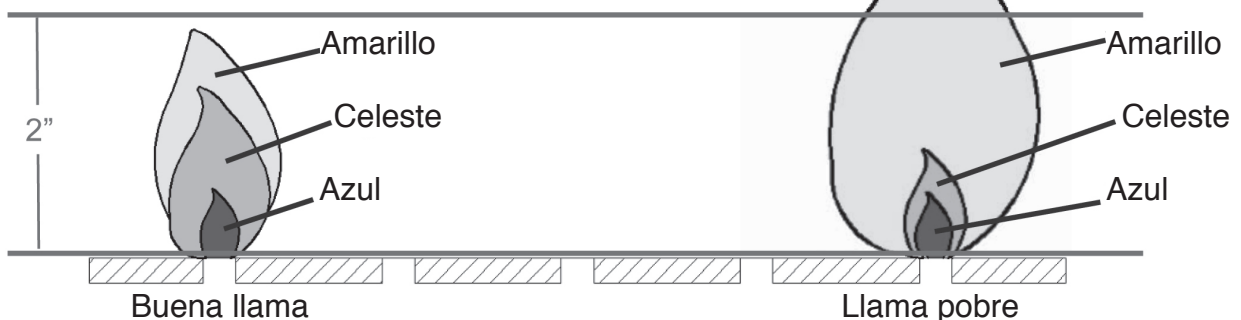
### VERIFICACIÓN DE LA LLAMA

Para una máxima eficiencia del combustible y rendimiento de cocción, la llama debe ser en su mayoría o totalmente de color azul y medir entre 2,54 y 5,08 cm de alto.

Para verificar la llama, vea la llama a través del orificio de encendido con fósforo en el costado de la cámara de combustión.



Agujero para ver la llama



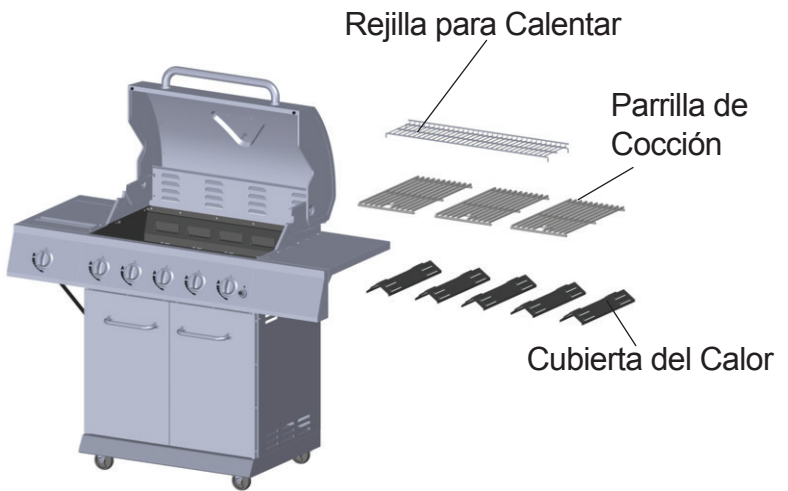
## CUIDADO Y MANTENIMIENTO

### ENSAMBLE DEL QUEMADOR

#### EXTRACCIÓN DEL ENSAMBLE DEL QUEMADOR

1. Asegúrese de que todas las perillas de control se encuentran en la posición de OFF, que la válvula del tanque de PL está cerrada y que el tanque está desconectado del regulador y alejado de la parrilla.

2. Abra la tapa y retire la rejilla para calentar, las rejillas de cocción y las cámaras de calor.



3. Retire el pasador de chaveta como se ilustra en la figura 1. Quite los 2 tornillos que sujetan el electrodo de encendido al quemador, como se ilustra en la Figura 2.

Figura 1

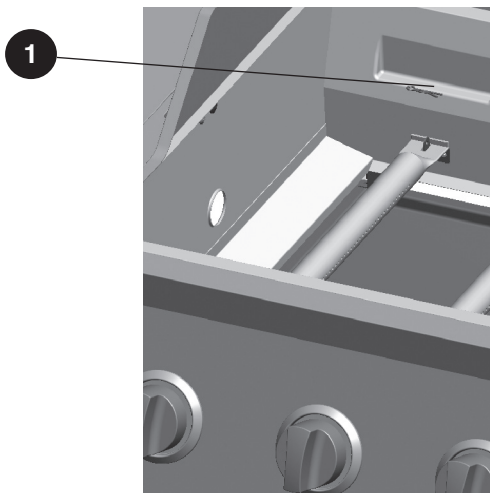
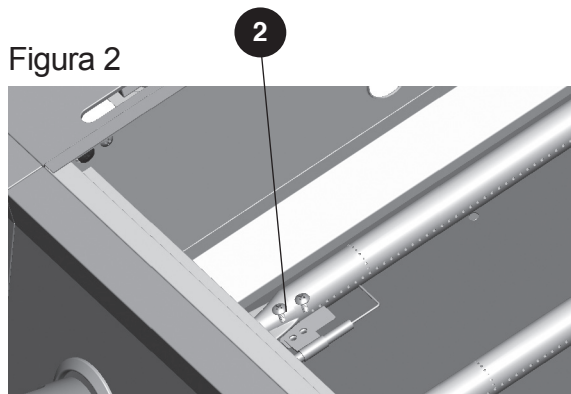
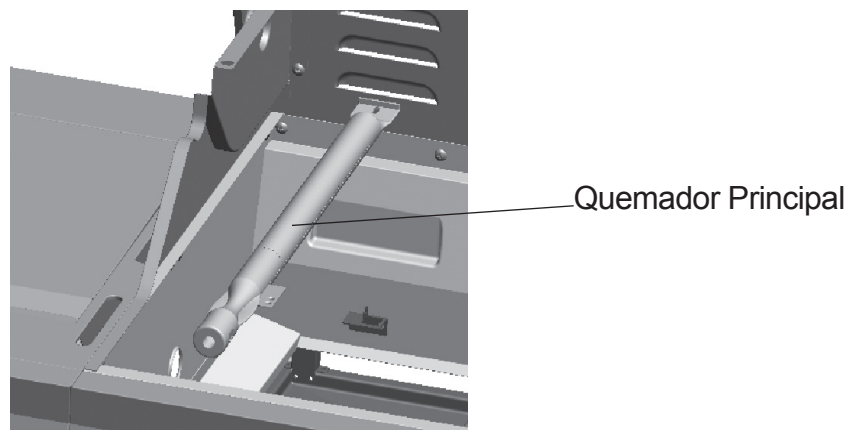


Figura 2



4. Deslice quemadores fuera de la caja de fuego como se muestra.



## CUIDADO Y MANTENIMIENTO

### LIMPIEZA DEL ENSAMBLE DEL QUEMADOR – Asegúrese de que la parrilla esté fría

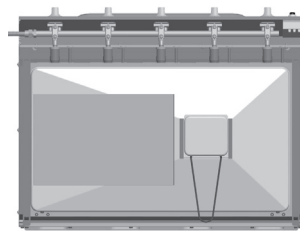
1. Corte el gas en las perillas de control y en el tanque de propano.
2. Desconecte el cilindro de gas PL de la manguera y el regulador.
3. Retire la rejilla para calentar, las rejillas de cocción y las cámaras de calor.
4. Retire el quemador sacando los pasadores de chaveta de la parte posterior de los quemadores para extraerlos de la abrazadera.
5. Retire el cable de encendido del electrodo a mano solamente. NO use pinzas ni ninguna otra herramienta ya que podría dañar el electrodo o el cable.
6. Levante el quemador lentamente.
7. Asegúrese de que todos los orificios del quemador estén libres de obstrucciones. Utilizar un pasador o sujetapapeles funciona bien.
8. Asegúrese de que el quemador no tenga ningún daño. Si el quemador está dañado, reemplácelo por uno nuevo.
9. Asegúrese de que el extremo del quemador y la pantalla para aire primaria estén libres de nidos de insectos, polvo o desechos.

### REINSTALACIÓN DEL QUEMADOR

Asegúrese de que los orificios estén en la posición correcta dentro de la entrada (venturi) del quemador. Es posible que necesite una linterna para garantizar la posición correcta. Se recomienda ver la posición correcta por los orificios de ventilación de la cámara de combustión como se ilustra a continuación.



Ver la posición correcta desde la parte inferior de la caja de fuego



Vista inferior



Mal



Mal



Corregir

## ⚠ ADVERTENCIA

Si no siguen las instrucciones que aparecen anteriormente, podría producirse un incendio o una explosión y causar lesiones graves o la muerte.

### OTROS CUIDADOS Y MANTENIMIENTO

Se recomienda que un técnico calificado realice una inspección y mantenimiento anual en este electrodoméstico.

Se recomienda que verifique regularmente que no haya materiales combustibles, gasolina ni otros vapores o líquidos inflamables cerca de la zona donde está el electrodoméstico para cocción a gas para exteriores.

Se recomienda que verifique regularmente que el flujo de aire de combustión y ventilación no esté obstruido.

Se recomienda que verifique regularmente que no haya desechos en las aberturas de ventilación del compartimiento del cilindro (gabinete).

Se recomienda que verifique y limpie regularmente el quemador y los tubos venturi para que no haya nidos de insectos. Un tubo obstruido puede ocasionar un incendio debajo de la parrilla.



## CUIDADO Y MANTENIMIENTO

El encendido electrónico requiere 1 batería alcalina "AA", que viene incluida.

### **! ADVERTENCIA**

NO mezcle baterías antiguas con nuevas.  
NO mezcle baterías alcalinas, estándar (carbono-zinc) o recargables (níquel-cadmio).  
NO se deshaga de las baterías en el fuego. Desechar las baterías indebidamente podría provocar que éstas exploten o tengan fugas.

## SOLUCIÓN DE PROBLEMAS

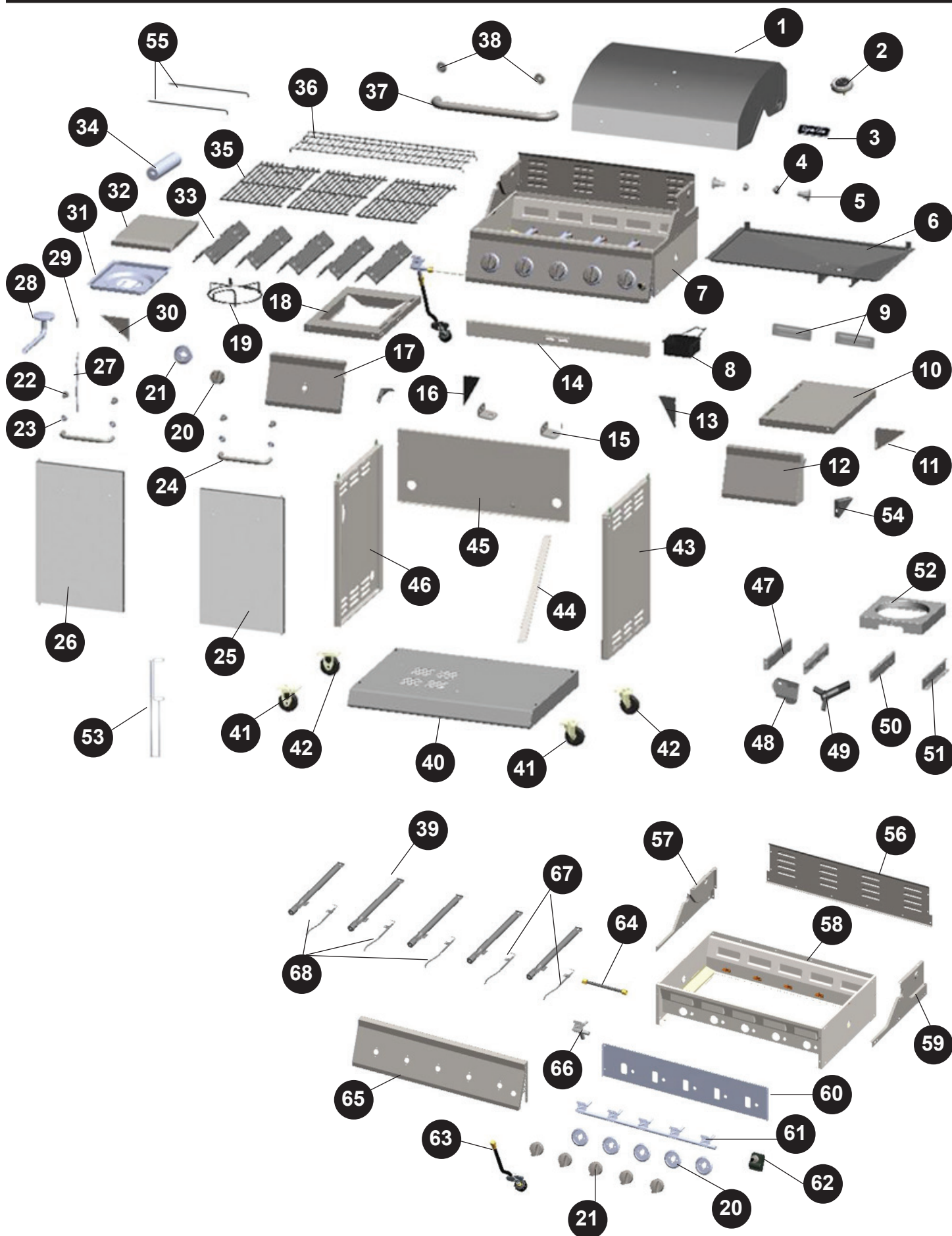
Si tiene preguntas relacionadas con el producto, llame al Servicio al Cliente al 1-877-447-4768, 8:30 a.m. - 4:30 p.m. CST, de lunes - viernes.

PROBLEMA	CAUSA POSIBLE	ACCIÓN CORRECTIVA
<b>El quemador no se enciende con el procedimiento del encendedor (se genera una chispa débil o no se genera ninguna).</b>	<ol style="list-style-type: none"><li>1. El electrodo del encendedor puede estar cubierto de grasa o residuos.</li><li>2. El electrodo del encendedor puede tener un cable suelto o desconectado.</li><li>3. El electrodo del encendedor está roto o descompuesto.</li><li>4. La batería está agotada o mal conectada.</li></ol>	<ol style="list-style-type: none"><li>1. Limpie el electrodo del encendedor.</li><li>2. Verifique la conexión y vuelva a conectar cualquier cable suelto o desconectado.</li><li>3. Reemplace el electrodo del encendedor (consulte la lista de piezas de repuesto).</li><li>4. Realice cualquiera de las siguientes acciones:<ol style="list-style-type: none"><li>a. Reemplace la batería.</li><li>b. Verifique que la batería esté insertada correctamente.</li><li>c. Verifique que no haya corrosión alrededor de los terminales de la batería.</li><li>d. Verifique la conexión de los cables como se indica anteriormente.</li></ol></li></ol>
<b>El calor es bajo.</b>	<ol style="list-style-type: none"><li>1. Hay una presión de gas insuficiente en la unidad.</li></ol>	<ol style="list-style-type: none"><li>1. Llame a una agencia de servicio calificada para verificar la presión de suministro de gas y corrija la presión.</li></ol>
<b>Llamaradas excesivas.</b>	<ol style="list-style-type: none"><li>1. Hay grasa y/o residuos acumulados en las cámaras de calor o en la cámara de combustión.</li><li>2. Hay un goteo de grasa o marinado desde los alimentos.</li><li>3. La temperatura de cocción es demasiado alta.</li></ol>	<ol style="list-style-type: none"><li>1. Limpie los componentes de la parrilla.</li><li>2. Corte la grasa de la carne y use marinados que no sean a base de aceite.</li><li>3. Baje la temperatura según corresponda.</li></ol>

## SOLUCIÓN DE PROBLEMAS

PROBLEMA	CAUSA POSIBLE	ACCIÓN CORRECTIVA
<p><b>El quemador no se luz con un fósforo.</b></p>	<ol style="list-style-type: none"> <li>1. El fósforo no alcanza los quemadores (al sostenerlo con la mano).</li> <li>2. El suministro de gas está cerrado.</li> <li>3. Hay una mala conexión entre el conector del tapón de la manguera de gas y el acoplador de los manguitos.</li> <li>4. La entrada del quemador está bloqueada.</li> </ol>	<ol style="list-style-type: none"> <li>1. Use el soporte para fósforos que se encuentra en la puerta del gabinete.</li> <li>2. Verifique que la válvula de cierre de suministro de gas manual esté abierta.</li> <li>3. Apague las perillas de la parrilla, cierre la válvula de cierre de suministro de gas y verifique la conexión entre el tapón y el acoplador de los manguitos. Desconecte y vuelva a conectar, si es necesario.</li> <li>4. Limpie la entrada del quemador (venturi) y el quemador como se describe en la sección Cuidado y mantenimiento de este manual.</li> </ol>
<p><b>No hay flujo de gas o un obstruido el flujo de gas.</b></p>	<ol style="list-style-type: none"> <li>1. El suministro de gas está cerrado.</li> <li>2. Hay una mala conexión entre el conector del tapón de la manguera de gas y el acoplador de los manguitos.</li> <li>3. La entrada del quemador está bloqueada.</li> </ol>	<ol style="list-style-type: none"> <li>1. Verifique que la válvula de cierre de suministro de gas manual esté abierta.</li> <li>2. Apague las perillas de la parrilla, cierre la válvula de cierre de suministro de gas y verifique la conexión entre el tapón y el acoplador de los manguitos. Desconecte y vuelva a conectar, si es necesario.</li> <li>3. Limpie la entrada del quemador (venturi) y el quemador como se describe en la sección Cuidado y mantenimiento de este manual.</li> </ol>

# LISTA DE PIEZAS DE REPUESTO



## LISTA DE PIEZAS DE REPUESTO

Para obtener piezas de repuesto, llame a nuestro Departamento de Servicio al Cliente al 1-877-447-4768, de 8:30 am - 4:30 pm, hora central, de lunes - viernes.

REF.	DESCRIPCIÓN	PIEZA #
1	Ensamble de la tapa	70-01-402
2	Ensamble del medidor de temperatura	104 - 12005
3	Divisa	104 - 22006
4	M6 tuerca que queden-Secure pasador de pivote tapa	70-09-001
5	Pin de giro para la tapa	104 - 12002
6	Ensamble de la bandeja para la grasa	105 - 04013
7	Ensamble de la cámara de combustión - incluye paragolpes de la tapa	105 - 03001
8	Ensamble de la taza de la grasa	104 - 04014
9	Imán de la Puerta	104 - 14020
10	Mesa lateral-derecha	105 - 04001
11	Soporte para mesa del lado derecho	105 - 04003
12	Ensamble del panel frontal de la mesa lateral-derecho	105 - 14001
13	Soporte derecho para la abrazadera de la puerta frontal superior	105 - 14002
14	Abrazadera de la puerta frontal superior	105 - 04011
15	Soporte para el pin de la puerta	105 - 14024
16	Soporte izquierdo para la abrazadera de la puerta frontal superior	105 - 14025
17	Panel frontal de la mesa lateral-izquierdo	105 - 44001
18	Ensamble de la mesa del fogón del lado izquierdo	105 - 44002
19	Parrilla de cocción del fogón lateral	105 - 44003
20	Perilla de control	104 - 13010
21	Bisel de la perilla de control	104 - 13009
22	Unión de la manija de la puerta	104 - 14023
23	Bisel de la manija de la puerta	104 - 14022
24	Manija de la puerta	104 - 14021
25	Ensamble de la puerta - derecho	70-01-399
26	Ensamble de la puerta - izquierdo	70-01-400
27	Cable del encendido - fogón lateral	105 - 44004
28	Fogón lateral con tubo de seguridad- incluye tornillo para fijarlo.	105 - 44005
29	Ensamble del electrodo de encendido-fogón lateral	105 - 44006
30	Soporte para la mesa del fogón del lado izquierdo	105 - 44007
31	Placa sopera del fogón lateral	105 - 44008
32	Cubierta del fogón lateral	105 - 44009
33	Cubierta de temperatura	105 - 13003
34	Pila AA (1,5 V)	104 - 05002
35	Parrilla de cocción	105 - 13002
36	Rejilla de calentamiento	105 - 13001
37	Manija de la tapa	105 - 12003
38	Bisel de la manija de la tapa	105 - 12004
39	Fogón principal - con cierre de seguridad	105 - 13011
40	Repisa inferior	105 - 04006
41	Rueda giratoria sin bloqueo (3")-Incluye 4 tornillos/arandelas planas/arandelas de resorte	105 - 04017
42	Rueda giratoria con bloqueo (3")-Incluye 4 tornillos/arandelas planas/arandelas de resorte	105 - 04019
43	Panel lateral del carrito - derecho	105 - 04010
44	Exclusión del cilindro	105 - 14006

## LISTA DE PIEZAS DE REPUESTO

REF.	DESCRIPCIÓN	PIEZA #
45	Panel trasero del carrito	105 - 04008
46	Panel lateral del carrito -izquierdo	105 - 04009
47	Placa retenedora A de la repisa del tanque	105 - 34001
48	Placa de bloqueo del riel de la repisa del tanque	105 - 34002
49	Tornillo de sujeción del cilindro	105 - 34003
50	Riel	105 - 34004
51	Placa de retención B de la repisa del tanque	105 - 34005
52	Asiento del tanque	105 - 34006
53	Porta-fósforos-con cadena y tornillo para fijar	104 - 14024
54	Soporte del panel frontal de la mesa lateral – placa triangular	105 - 14003
55	Eje de la cubierta del fogón lateral	105 - 44010
56	Panel superior trasero de la cámara de combustión	105 - 13019
57	Panel superior izquierdo de la cámara de combustión	105 - 13004
58	Ensamble de la cámara de combustión-estructura de soldadura	105 - 13005
59	Panel superior derecho de la cámara de combustión	105 - 13015
60	Escudo térmico frontal de la cámara combustión	105 - 13013
61	Ensamble de la válvula principal y del tubo de gas	105 - 13006
62	Encendedor electrónico	105 - 13007
63	Ensamble del regulador y de la manguera	105 - 13014
64	Ensamble del tubo corrugado	105 - 13018
65	Ensamble del panel de control	105 - 13008
66	Ensamble de la válvula del fogón lateral y de la manguera	105 - 13016
67	Ensamble del electrodo eléctrico A del fogón principal-con cable largo	105 - 13012
68	Ensamble del electrodo eléctrico B del fogón principal-con cable corto	105 - 13017
n/a	Paquete de hardware	105 - 05001
n/a	Manual de Instrucciones del propietario	70-10-566