

PORCELA SERIES

Porcelain Enamel Steel Large Single Bowl Model

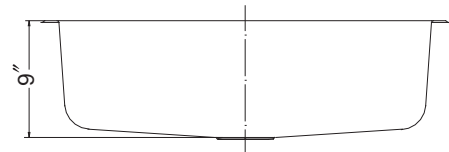
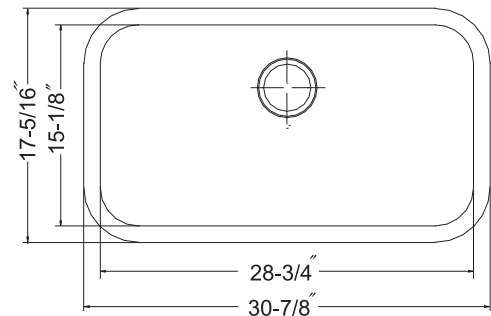
- | | |
|------------------------|-------------------------|
| PCG-3600 WH - White | PCG-3600 BQ - Biscuit |
| PCG-3600 ES - Espresso | PCG-3600 NB - Navy Blue |
| PCG-3600 BL - Black | PCG-3600 MT - Mint |
| PCG-3600 LE - Lemon | PCG-3600 SL - Slate |



FEATURES

- Non-porous glossy surface
- 9" depth, 3-1/2" drain opening
- Chip, crack and scratch resistant
- 8 distinctive colors
- Double baked at 1500°F
- Sound absorbing foam pad
- Easy undermount installation
- Fits 36" sink base
- Supplied with cutout template, fasteners and instructions
- 10 year Limited Warranty

PCG-3600



OPTIONAL COLORS



Color variations possible due to printing constraints.

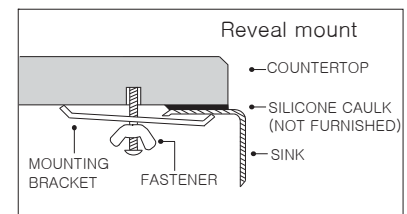
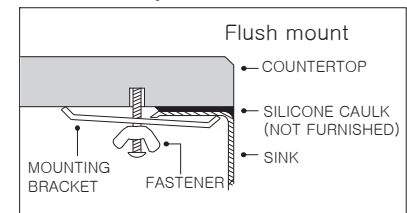
OPTIONAL ACCESSORIES

- Bottom Grid: BG-3650
- Strainer :
- 190-9180 - Stainless Steel
- 190-9261 - Polar White
- 190-9262 - Bone

OVERALL DIMENSIONS	EACH BOWL	CUTOUT SIZE	PACKAGING*	WEIGHT*
30-7/8" x 17-5/16"	28-3/4" x 15-1/8"	See Template	1/16 pcs.	26/460lbs.

*Standard packaging: Single boxed /Pallet of single boxed.
All dimensions are in inches. Specifications subject to change without notice.

Installation profile



Project/Job name _____

Architect/Engineer _____

Contractor _____

Model _____ Q'ty _____

Notes _____