

Use and Care Guide

Floating Wall Shelf

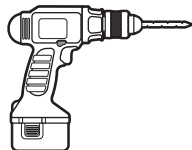
Item # See page 2
Model #

HOME
DECORATORS
COLLECTION

TOOLS REQUIRED



Phillips screwdriver



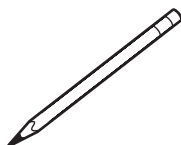
Power drill



3/16 in. drill bit



Level



Pencil



Stud Finder
(optional)



Make sure that at least one screw hole will be installed into a wall stud for best results.

Template for easy installation:

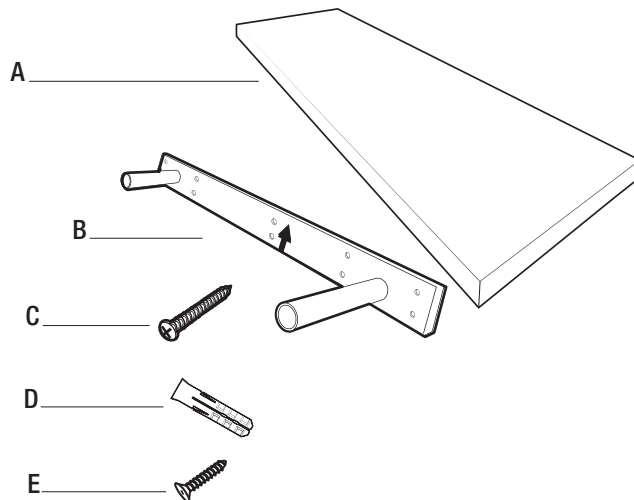


Affix the template on the wall in the desired location. Using a level, adjust the template until straight, then attach the template to the wall.

Mark the screw indicator holes and remove the template.

Place the backplate over the holes marks and screw into place.

PACKAGE CONTENTS

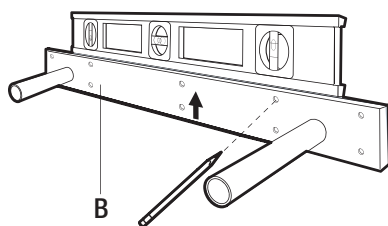


Part	Description	24 in	36 in	42 in
		Quantity	Quantity	Quantity
A	Shelf	1	1	1
B	Backplate	1	1	1
C	Screw	6	6	6
D	Drywall anchor	4	4	4
E	Set screw	2	2	2

Installation

1 PREPARING FOR INSTALLATION

- Ensure that arrow located on backplate (B) is pointing up.
- Place the backplate (B) against the wall in the desired position.
- While holding the backplate (B) against the wall, use a level to ensure that the backplate (B) is level.
- Use a pencil to mark the backplate (B) holes on the wall.



- Helpful Hint:**
Use stud finder to locate wall studs to hold the maximum weight.

2 INSTALLING THE BACKPLATE

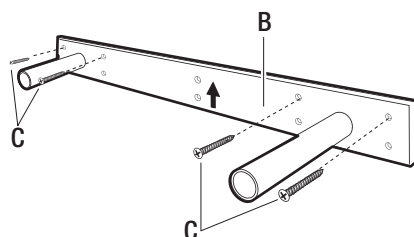


IMPORTANT: If you are drilling into a stud, do not pre-drill or use anchor.



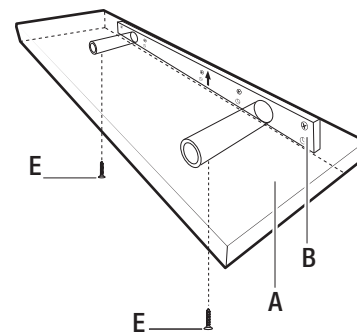
IMPORTANT: Templates will have 7 or more possible hole locations. Only 6 screws are provided in hardware. Decide prior to drilling which 6 hole locations will be used for installation of backplate.

- Using a power drill and a 3/16 in. drill bit, drill holes into the wall at the pencil marks.
- Insert the drywall anchors (D) into the holes that do not have studs.
- Use a Phillips screwdriver and the screws (C) to secure the backplate (B) to the wall.



3 INSTALLING THE SHELF

- Slide the shelf (A) onto the backplate (B).
- Align the holes on the bottom of the shelf (A) with the holes on the bottom of the tubes on the backplate (B).
- Use the set screws (E) to secure the shelf (A) to the backplate (B) by inserting the set screws (E) through the bottom of the shelf (A) and into the bottom of the backplate tubes.



Safety Information



WARNING: It is strongly recommended that this shelf be installed in studs to ensure maximum stability and load capacity.



WARNING: The maximum load capacity of this shelf is 15 lbs.

“IMPORTANT HEALTH NOTICE:

Some of the building materials used in this home (or these building materials) emit formaldehyde. Eye, nose and throat irritation, headache, nausea and a variety of Asthma-like symptoms, including shortness of breath, have been reported as a result of formaldehyde exposure. Elderly persons and young children, as well as anyone with a history of asthma, allergies, or lung problems, may be at greater risk. Research is continuing on the possible long-term effects of exposure to formaldehyde. Reduced ventilation may allow formaldehyde and other containments to accumulate in the indoor air. High indoor temperatures and humidity raise formaldehyde levels. When a home is to be located in the areas subject to extreme summer temperatures, an air-conditioning system can be used to control indoor temperature levels. Other means of controlled mechanical ventilation can be used to reduce levels of formaldehyde and other indoor air containments.

If you have any questions regarding the health effects of formaldehyde, consult your doctor or local health department.”

Warranty

WHAT IS COVERED

The supplier warrants the original purchaser of this product against defects in material and workmanship for a period of one year from date of original purchase. Our sole obligation under this warranty is to repair or replace the defective product, which must be returned during the warranty period, to the store where the product was purchased. Return of the product must be accompanied by a dated proof of purchase, such as a photocopy of the receipt.

This warranty does not apply if accident or misuse has resulted in damage to the product. We make no other warranty, expressed or implied, to you or any other person or entity. Specifically, we make no warranty that this product is fit for a particular purpose. Any implied warranty of merchantability is limited to the respective duration and the conditions stated in this Limited Warranty and are otherwise expressly disclaimed. We will not be liable for special, incidental, consequential, indirect, or other similar damages, even if our agent or we have been advised of the possibility of the damages. This means that we are not responsible or liable for damages or costs incurred as a result of loss of time, loss of profits, or loss of use of the product. In addition, we are not responsible or liable for damages or costs incurred in connection with obtaining a substitute product, claims by others, inconvenience, or similar costs. In no event will our liability for any damages to you or any other person ever exceed the price paid for this product regardless of any form of the claim.

Additional statements by our employers, agents, representatives, distributors, dealers, and retailers such as advertisements or presentations, do not constitute warranties by us, do not bind us, nor should these statements be relied upon.

Item #	Model #
245220	9085646
245484	9085648
246276	9085638
246342	9085640
247464	9085642
369366	9085644