

**RYOBI**  
**5 cu. ft. (0.14 m<sup>3</sup>) Concrete Mixer**  
**Model Number RMX001**  
**Repair Sheet**

RYOBI 5 cu. ft. (0.14 m<sup>3</sup>) CONCRETE MIXER – MODEL NO. RMX001

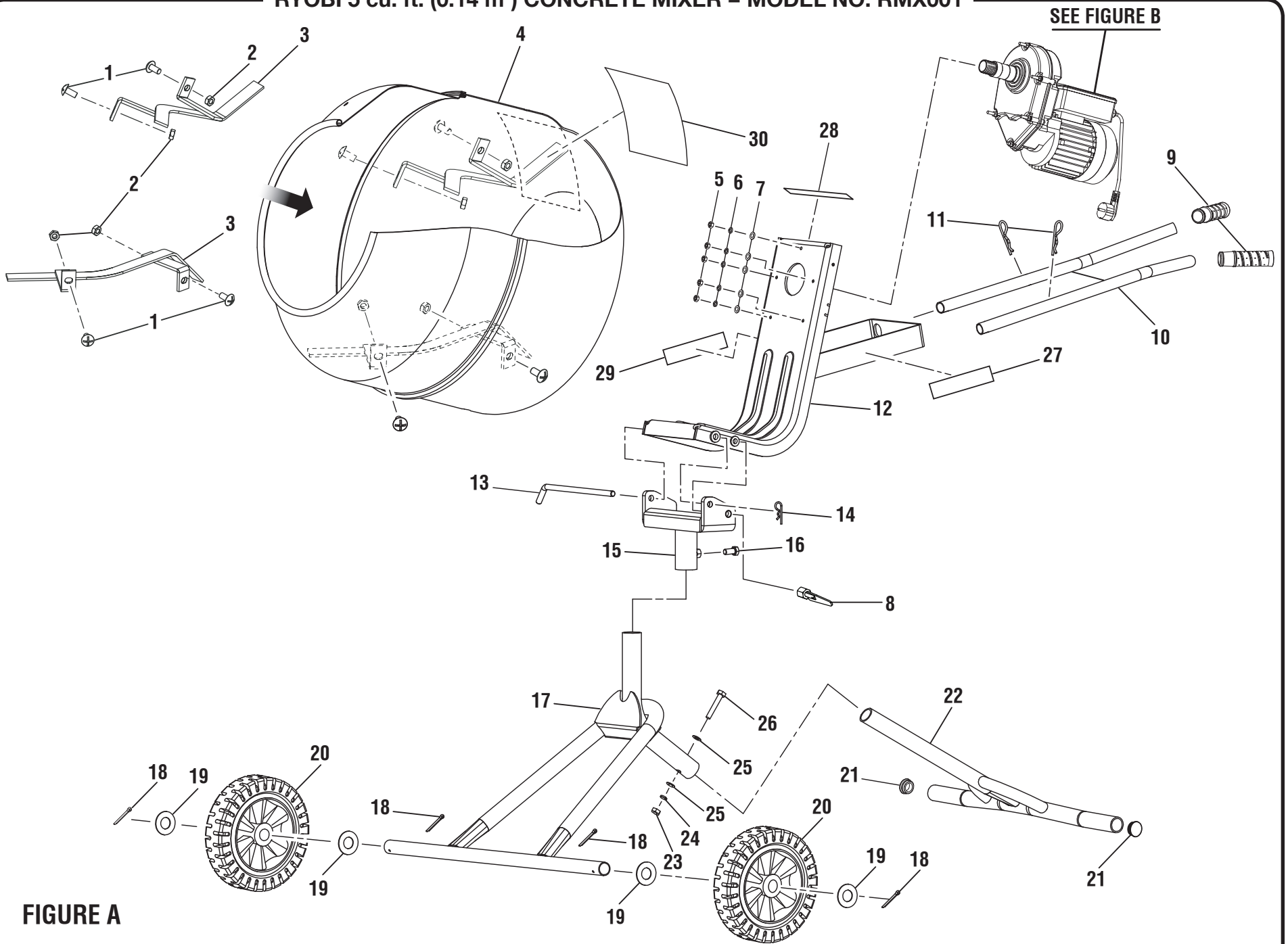


FIGURE A

**RYOBI 5 cu. ft. (0.14 m<sup>3</sup>) CONCRETE MIXER – MODEL NO. RMX001**

The model number will be found on a label attached to the rear leg. Always mention the model number in all correspondence regarding your **CEMENT MIXER** or when ordering replacement parts.

**PARTS LIST – FIGURE A**

<b>KEY NO.</b>	<b>PART NUMBER</b>	<b>DESCRIPTION</b>	<b>QTY</b>	<b>KEY NO.</b>	<b>PART NUMBER</b>	<b>DESCRIPTION</b>	<b>QTY</b>
1	089046001001	Screw (M12 x 25 mm, Pan Hd.).....	4	16	089046001026	Bolt (M10 x 25 mm) .....	1
2	089046001002	Hex Nut (M12).....	4	17	089046001011	Front Leg .....	1
3	089046001003	Mixing Tine .....	2	18	089046001008	Cotter Pin (6 x 50) .....	4
4	089046001007	Drum (Inc. Key No. 35) .....	1	19	089046001009	Washer.....	4
5	089046001017	Hex Nut (M6) .....	5	20	089046001010	Wheel.....	2
6	089046001016	Lock Washer (M6) .....	5	21	089046001031	End Cap.....	2
7	089046001015	Washer (M6) .....	5	22	089046001027	Rear Leg .....	1
8	089046001018	Lock Handle Assembly .....	1	23	089046001006	Hex Nut (M10).....	1
9	089046001030	Handle Grip .....	2	24	089046001005	Lock Washer (M10).....	1
10	089046001029	Handle .....	2	25	089046001004	Cup Washer (M10).....	2
11	089046001019	Hitch Pin (3.5) .....	2	26	089046001020	Bolt (M10 x 60 mm, Hex Hd.) .....	1
12	089046001014	Drum and Motor Bracket (Inc. Key Nos. 32-34).....	1	27	089046001907	Instruction Label .....	1
13	089046001013	Pivot Pin (12 x 240).....	1	28	089046001901	Icon Warning label.....	1
14	089046001028	Hitch Pin (3) .....	1	29	089046001902	Data Label .....	1
15	089046001012	Swivel Bracket.....	1	30	089046001905	Logo Label .....	1

**Not Shown:**

995000436      Operator's Manual (089046001906)  
 9-12-18  
 (Rev:02)

RYOBI 5 cu. ft. (0.14 m<sup>3</sup>) CONCRETE MIXER – MODEL NO. RMX001

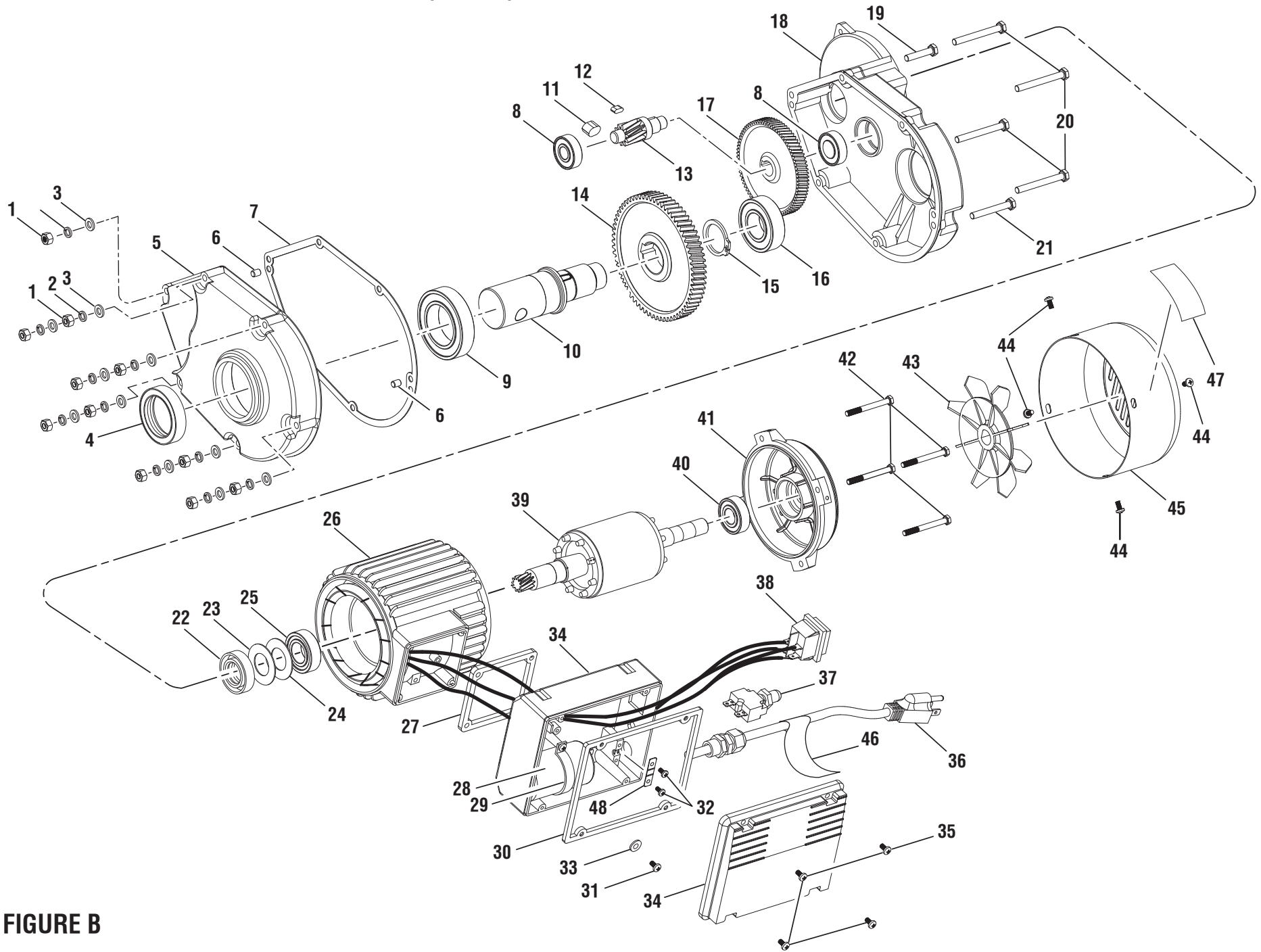


FIGURE B

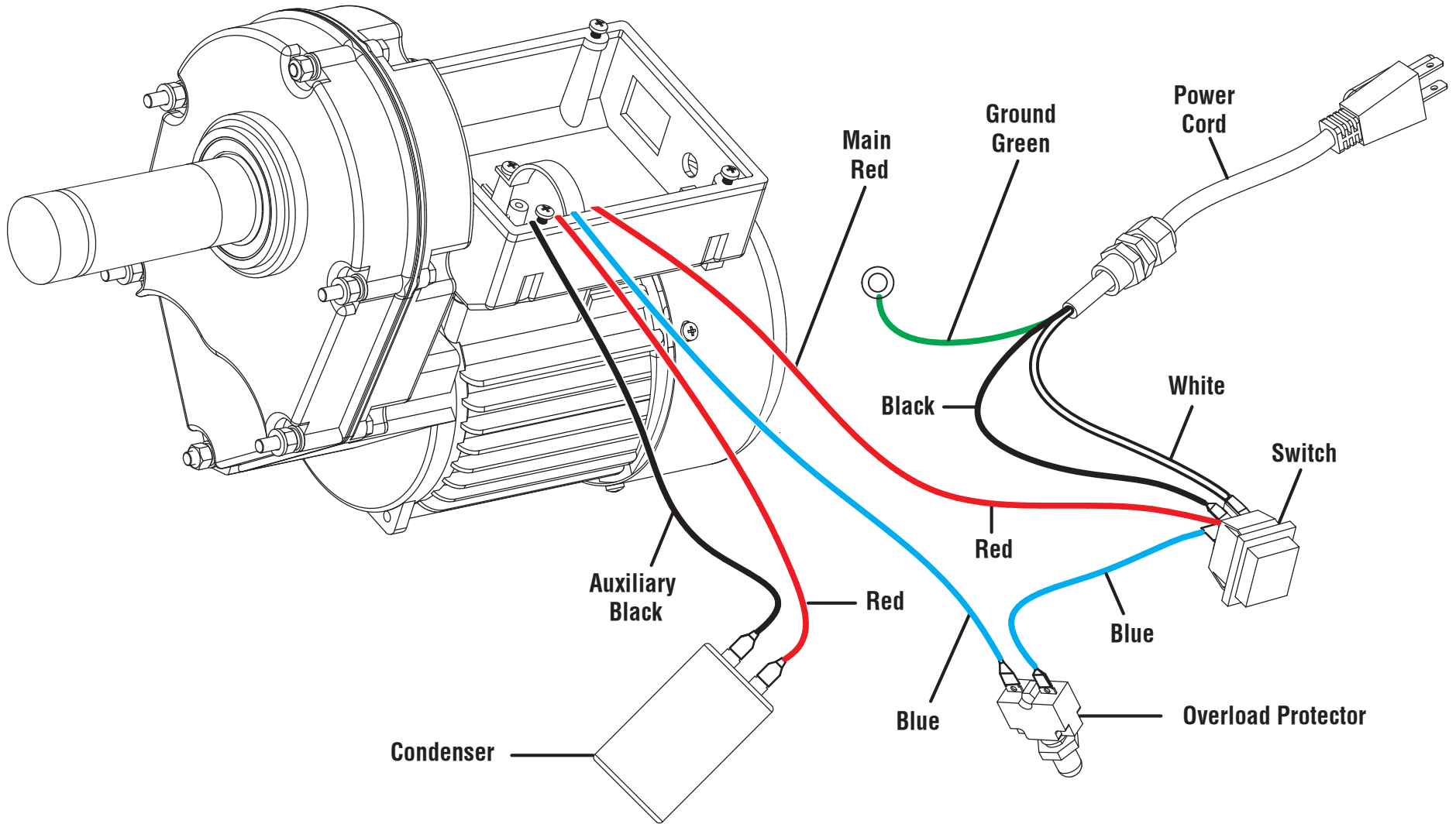
## RYOBI 5 cu. ft. (0.14 m<sup>3</sup>) CONCRETE MIXER – MODEL NO. RMX001

The model number will be found on a label attached to the rear leg. Always mention the model number in all correspondence regarding your **CEMENT MIXER** or when ordering replacement parts.

### PARTS LIST – FIGURE B

KEY NO.	PART NUMBER	DESCRIPTION	QTY	KEY NO.	PART NUMBER	DESCRIPTION	QTY
1	089046001065	Hex Nut (M6) .....	11	25	089046001046	Motor Bearing (6004z).....	1
2	089046001066	Lock Washer (M6) .....	11	26	089046001047	Stator.....	1
3	089046001077	Washer (M6) .....	11	27	089046001064	Motor Gasket.....	1
4	089046001033	Seal (40 mm).....	1	28	089046001061	Condenser (30UF).....	1
5	089046001035	Gear Case (Front Cover) .....	1	29	089046001059	Clamp .....	1
6	089046001071	Locking Pin (M6 x 10 mm).....	2	30	089046001058	Gasket (Panel Box).....	1
7	089046001036	Gearbox Gasket .....	1	31	089046001074	Ground Screw (M4 x 10 mm) .....	1
8	089046001039	Gearbox Ball Bearing (6201z).....	2	32	089046001060	Screw (M4 x 10 mm).....	2
9	089046001070	Ball Bearing (6008).....	1	33	089046001073	Washer (4 mm).....	1
10	089046001075	Drive Shaft.....	1	34	089046001063	Panel Box Assembly .....	1
11	089046001038	Large Locking Key (8 x 15 mm).....	1	35	089046001057	Screw (M4 x 22 mm) .....	4
12	089046001041	Small Locking Key (5 x 5 x 12 mm) .....	1	36	089046001056	Power Cord (Inc. Key No. 46).....	1
13	089046001042	Pinion (Z9) .....	1	37	089046001062	Overload Protector.....	1
14	089046001069	Gear (Z68).....	1	38	089046001055	On/Off Switch.....	1
15	089046001068	Retaining Ring B (30 mm) .....	1	39	089046001048	Rotor.....	1
16	089046001067	Ball Bearing (6205).....	1	40	089046001049	Ball Bearing (6202z) .....	1
17	089046001040	Gear (Z79).....	1	41	089046001050	Bell Housing .....	1
18	089046001043	Gear Case (Back Cover).....	1	42	089046001054	Bolt (M5 x 138 mm) .....	4
19	089046001032	Screw (M6 x 25 mm, Pan Hd.) .....	1	43	089046001051	Fan.....	1
20	089046001034	Screw (M6 x 65 mm) .....	4	44	089046001052	Screw (M4 x 10 mm).....	4
21	089046001072	Bolt (M6 x 42 mm) .....	1	45	089046001053	Fan Cover (Inc. Key No. 47).....	1
22	089046001044	Motor Seal (42 x 20 x 7 mm) .....	1	46	089046001904	Cord Wrap Label .....	1
23	089046001045	Spacer Washer A (42 mm).....	1	47	089046001903	Motor Specifications Label .....	1
24	089046001076	Stop Ring (30 MM) .....	1	48	089046001078	Strain Relief Pressure Plate.....	1

**RYOBI 5 cu. ft. (0.14 m<sup>3</sup>) CONCRETE MIXER – MODEL NO. RMX001**



**WIRING DIAGRAM**