

18 LED Solar Flagpole Light

Beyond Solar's 18 LED Solar Flagpole Light is a set of three light heads; each containing 6 ultra-bright Pury LEDs which can all at once efficiently cover a 360° angle or be individually adjusted to beam at different directions using a 180° knob adjustment. Pury LEDs are super bright, but they are at the brightest when in communion with each other. The triune can be used to light up a flag or to cast light down on your garden, garage, wall or surrounding areas. The light heads are made from aluminum, and the frames from die-cast aluminum. The solar panel is glass protected ensuring that its component parts are durably sustained. The 18 LED Solar Flagpole Light's brightness is a composite of 18 pieces of Pury 1W ultra bright LEDs that come together to give off a bright mode of 1,980 Lumens; steadily powered by a 3.7V-15000mA lithium rechargeable battery. Its battery power lasts up to 12 hours when fully charged by the 6V-16W solar panel. The light is designed to automatically come ON at dusk and go OFF at dawn. It is also accompanied by a button switch for manual operations. With the aid of stainless steel hooks, the setup can easily be attached to broader poles. Beyond Solar's 18 LED Solar Flagpole Light is of high standard value, with an IP rating of IP65, it assures you of a long lasting product that can withstand any weather conditions.



Features

- IP65 Rated
- Compact System
- Unique curved appearance
- 100% Less Power Consumption
- Automatic Day & Night Detection
- Pury LED 1W LED Chips
- Completely Solar Powered
- Lithium-ion battery
- Lumen: 1980Lm
- Emitting Color: White

Applications

- Flagpoles
- Government Buildings
- Memorials
- Historic Sites
- School Playgrounds & Gardens
- Campuses, Parks, & Yards
- Boat & Loading Docks
- Farms & Ranches
- Remote & Wildlife Areas
- Parking Lots & Military Bases



18 LED Solar Flagpole Light

Specifications

- Brightness: 660Lm x 3 = 1980 Lm
 Materials: Aluminum head, Die-casting aluminum frame, Stainless steel hook, & Glass panel
 Battery: 3.7 V 15000mA Lithium rechargeable battery
 Solar panel: 6V 16W
 LED Qty: 18 pieces (6 Pcs x Pury super bright white LED 1W) x3
 Waterproof: IP65 Rated
 Lasting time: up to 12 hours when fully charged
 Switch: Auto switch on/off from dusk/dawn (with button switch)
 Application: flag light/garage/backyard/walkway/porch



18 LED SOLAR FLAGPOLE LIGHT

Model No.	AVS-JY8-829
Solar Panel	6V / 16Wp
IP Rating	IP65
Material	Aluminum, Stainless steel, Glass Body
Product Color	Black
Battery Type	Lithium-ion battery pack
Battery Capacity	3.7 V 15000mA
Working Time	≥12 Hours
LED Type	18 pieces of 1W Pury
Luminous flux	660Lm x 3 = 1980 Lm
Emitting Color	White

Installation

Please place your light in the direct sun for 12 hours prior to first use.

- You can cover the panel in the daytime to make the light “think” that it’s night, and the light will turn ON then.



Advantages

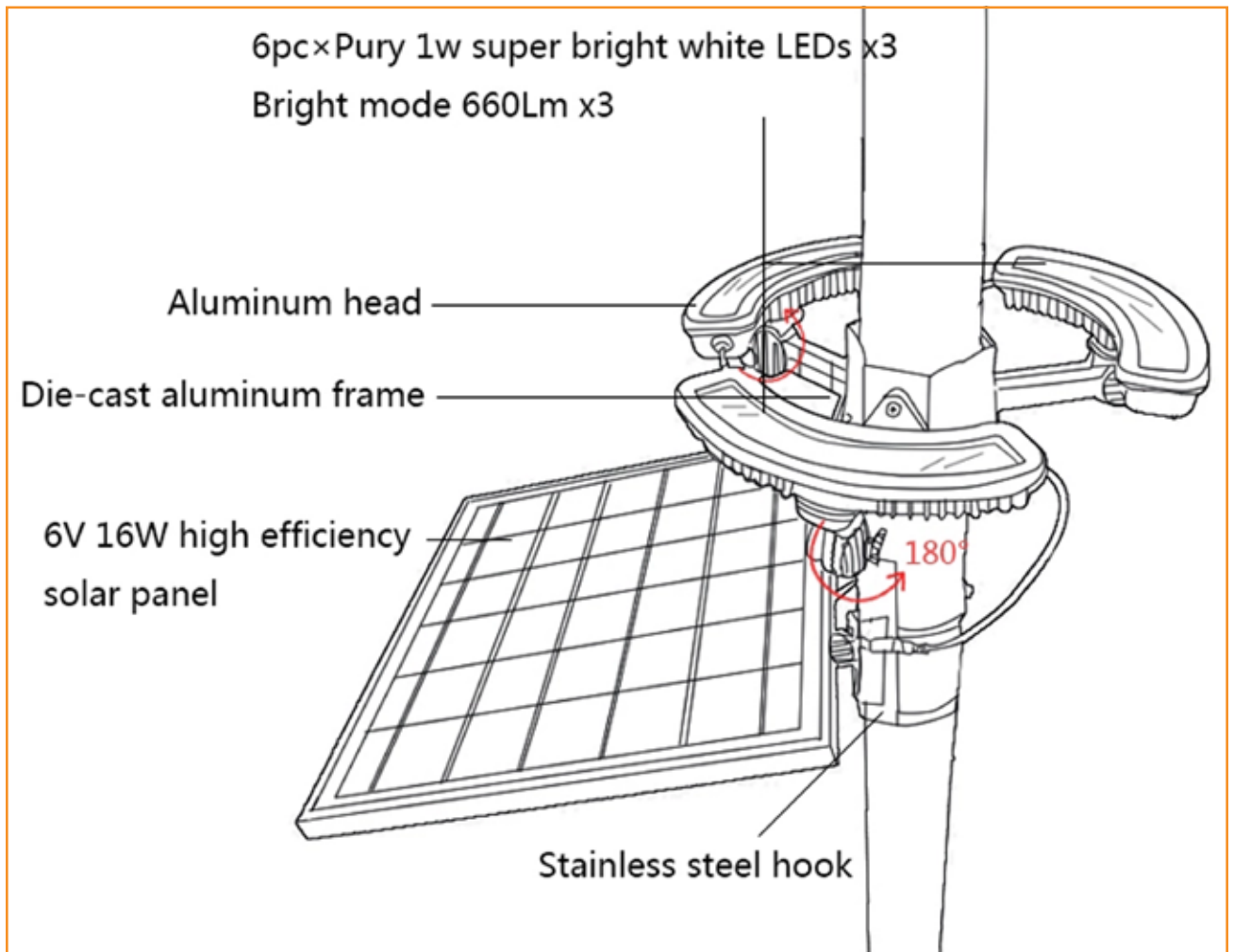
- Energy saving, long lifespan
- Light is soft and uniform, safe to eyes
- Instant start with no flickering or humming
- Green and eco-friendly without mercury
- Durable construction for long time use
- Aluminum, Stainless steel, Glass Body
- No monthly electric bills
- Battery backup for cloudy days
- No power outages
- No line voltage, trenching/metering
- Easy to install & operate - <1 hour
- High performance lithium battery



18 LED Solar Flagpole Light

Super Bright Pury LEDs

Project to a wider coverage area than other LED beads.



18 LED Solar Flagpole Light

Application

