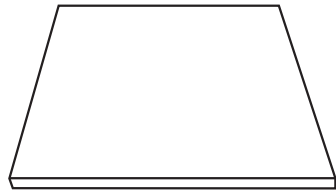
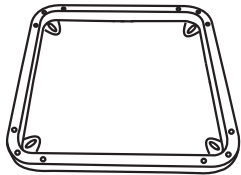


# 161-BT24 Metal Bar Table

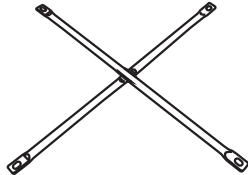
## Parts Listing



A Table Top



B Table supporting frame



D Table supporting tube



C Table Leg 4pcs



E Table footrest



F Screws M6\*16mm 8pcs



G Screws M6\*40mm 12pcs



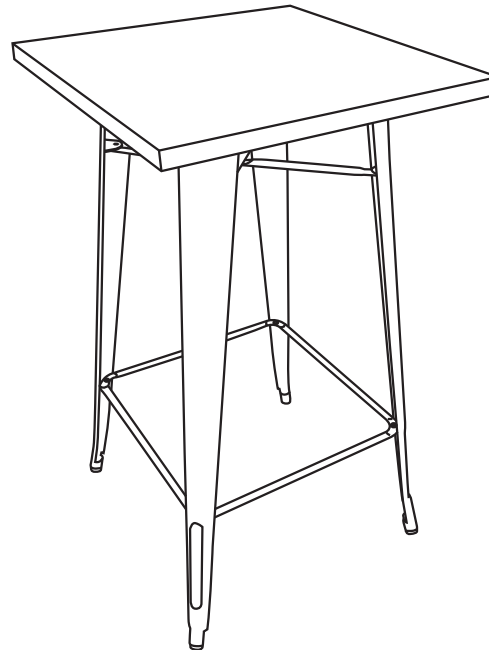
H Screws M6\*20mm 4pcs



I Washer 4pcs



J Allen Wrench 1 pc



## Assembly Instructions

**STOP** Two People Needed For Assembly  
Please read all instructions before assembly.

**Step 1:** Place the table supporting frame(B) on a clean ,flat surface.Assemble it with Legs (C) by screws(G).

**Step 2:** Place the metal frame on a clean,flat surface.Put the table footrest (E) into it and fix by screws (F).

**Step 3:** Place the metal frame upside down on a clean,flat surface.Put the table supporting frame into it and assemble them together by screws(F).

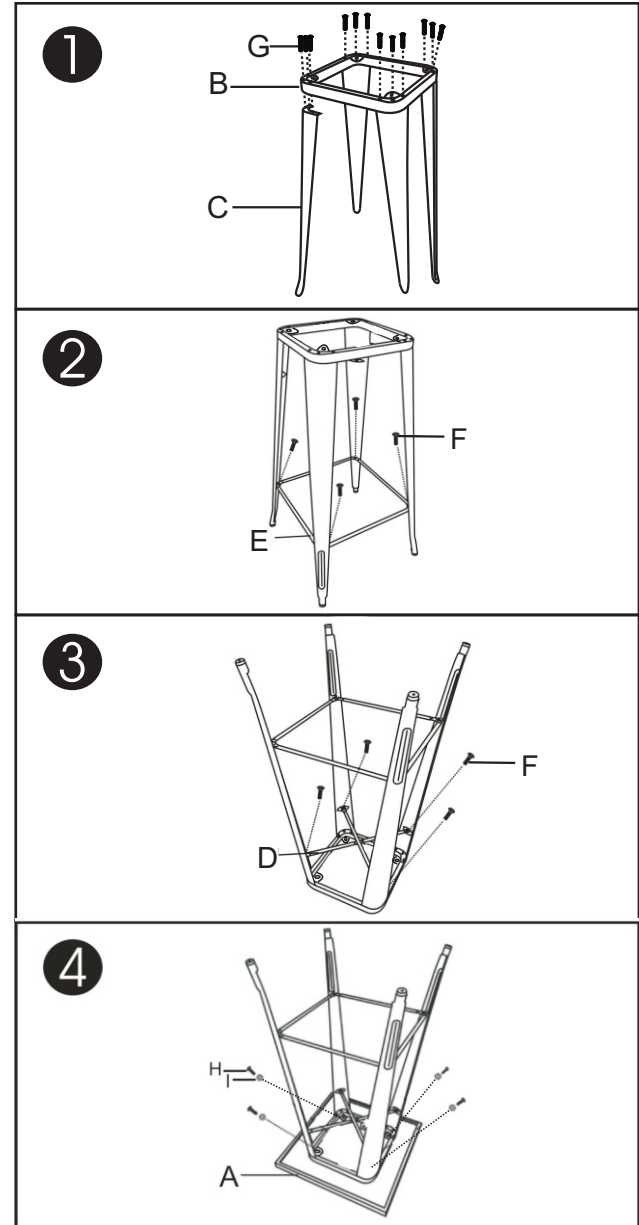
**Step 4:** Place the table top(A) on a clean,flat surface.Put the metal frame upside down on the table top and fix by screws(H) with Washer(I).

### Assembly Notes:

During assembly, hand tighten screws only. When all screws are in place, you may then tighten all screws completely.

### CAUTION:

1. Do not use this table as a step ladder.
2. Check for loose screws and tighten them every 6 months.



*ofm*

161 Tradition Trail, Holly Springs, NC 27540  
 800-520-7471 (voice) 919-362-4765 (fax)  
 919-303-6389 (voice) www.ofminc.com  
 support@ofminc.com