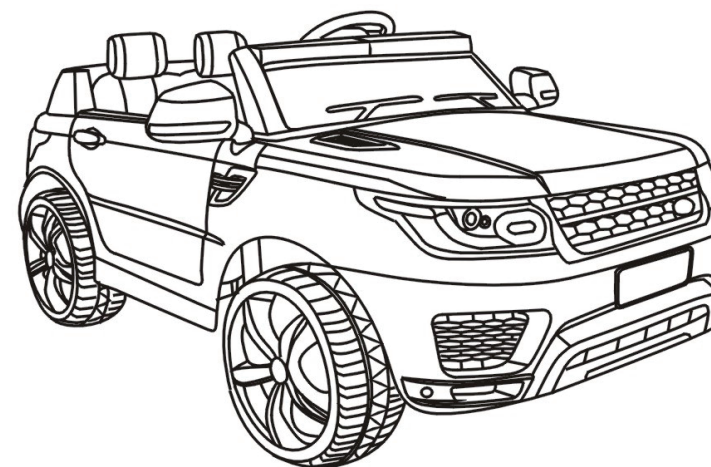


# HONEYJOY<sup>®</sup>



## **USER'S MANUAL** **Ride-on Police Car** **TY327435BK**

THIS INSTRUCTION BOOKLET CONTAINS **IMPORTANT** SAFETY INFORMATION. PLEASE READ AND KEEP FOR FUTURE REFERENCE.

**Please give us a chance to make it right and do better!**

Contact our friendly customer service department for help first.

Replacements for missing or damaged parts will be shipped ASAP!

**Follow Costway**

Visit us: [www.costway.com](http://www.costway.com)



# Contact Us!

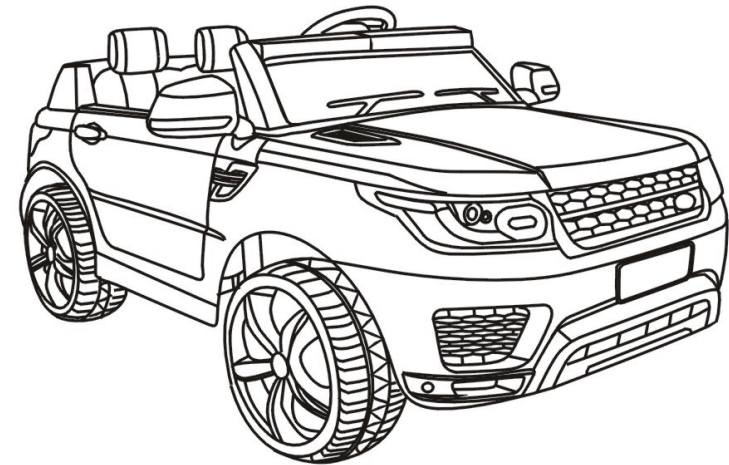
## Do NOT return this item.

Contact our friendly customer service department for help first.



# Before You Start

- ⚠ Please read all instructions carefully.
- ⚠ Retain instructions for future reference.
- ⚠ Separate and count all parts and hardware.
- ⚠ Read through each step carefully and follow the proper order.
- ⚠ We recommend that, where possible, all items are assembled near to the area in which they will be placed in use, to avoid moving the product unnecessarily once assembled.
- ⚠ Always place the product on a flat, steady and stable surface.
- ⚠ Keep all small parts and packaging materials for this product away from babies and children as they potentially pose a serious choking hazard.



- Suitable age 37-95months.
- This product should be assembled by adult.
- This instruction contains important safety information content, please keep it as a reference.

## About the products



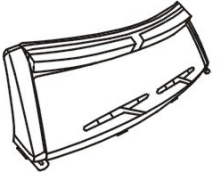

Thank you for choosing our children electric car. We always keep pursuing being outstanding and designing comfortable and safe ride on car for children, and give your children a wonderful childhood.




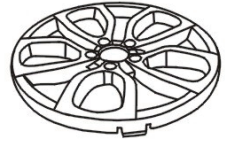
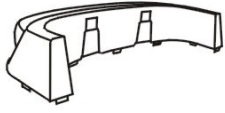
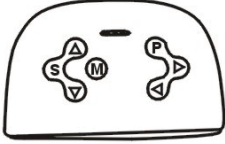


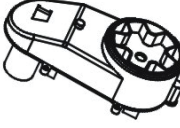

Please read this instruction carefully before use, it will tell you the right way of assembling and operating. To avoid incorrect operations damaging the product or injuring your baby, please keep this instruction.

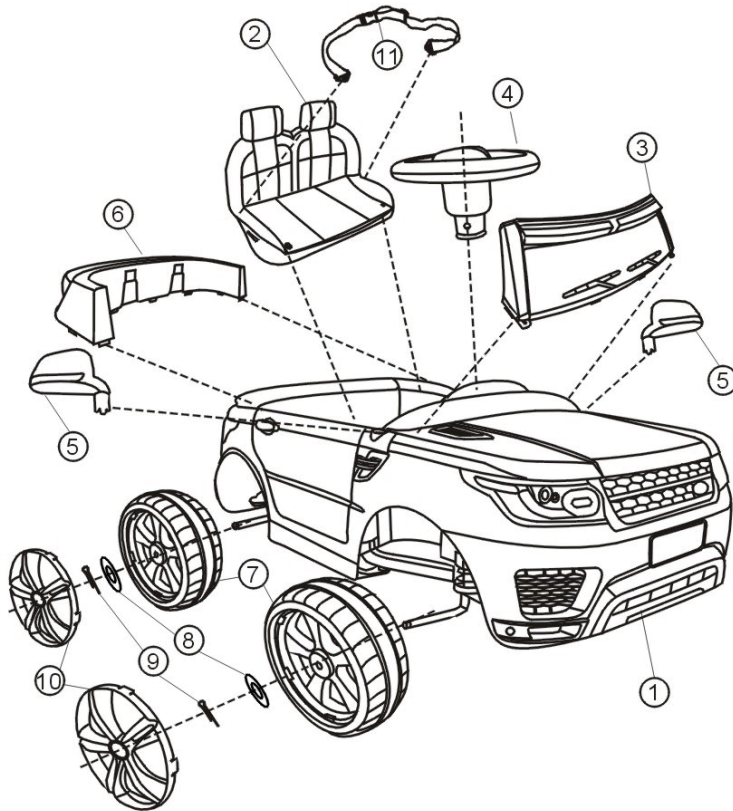
## Specifications

Battery:		12V4.5Ah	
Main material:		PP	
Suitable age:	37-95months	Maximum weight:	30kg
G.W:	20kg	N.W:	16kg
Car Size:	110x 68x52cm	Package Size:	110x 58x37cm
Speed:		3-5km/h	
Operation time:		1-2hours after charging about 8-12hours	
Charge:	Input AC220V; Output DC12V500mA		
Fuse:	Resettable Fuse		

## Part List

Part Number	Part Name	Picture	Q'ty (pcs)	Part Number	Part Name	Picture	Q'ty (pcs)
1	Main body		1	2	Seat		1
3	Wind shield		1	4	Steering wheel		1

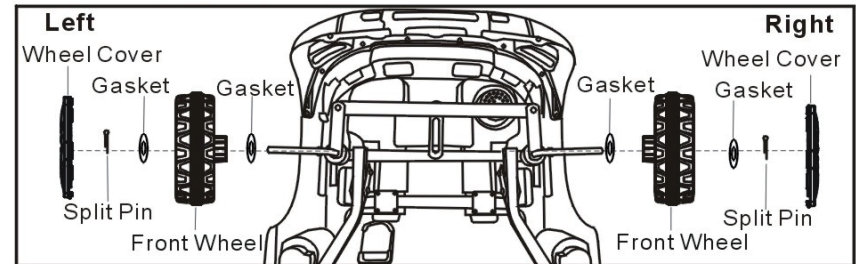
Part Number	Part Name	Picture	Q'ty (pcs)	Part Number	Part Name	Picture	Q'ty (pcs)
5	Rear-view mirror		1	6	Direction axis		1
7	Driving wheel		4	8	Wheel Cove		4
9	Rear wing		1	10	Remote Control		1
11	Charge		1	12	Tool bag		1
13	Gear box		2	14	Instruction		1
15				16			
17				18			



①	Main bodyx1	⑧	Gasketx6
②	Seatx1	⑨	Split Pinx4
③	Wind shieldx1	⑩	Wheel Covex4
④	Steering wheelx1	⑪	Safety belt x1
⑤	Rear-view mirrorx1	⑫	
⑥	Rear wingx1		
⑦	Driving wheelx4		

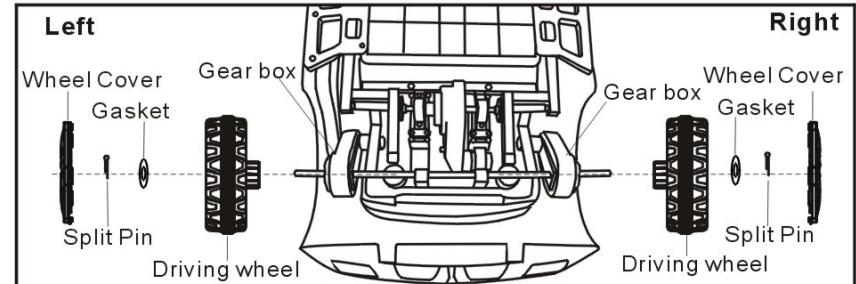
## Assembling

- The vehicle should be assembled by adult before use.
- The small parts might cause choke, please keep away from the children. Children under 36 months can not use.
- Please check the number of the parts before assembling, and keep the packaging bags away from the children in case of choke.



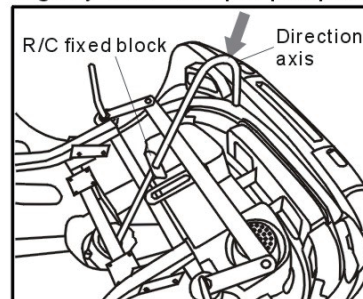
### 1. Assemble the front wheel

Turn over the car body. Fix the gasket, wheel, gasket onto the front axle from each side. Fasten tightly with the split pin, put on the wheel cover and cap.



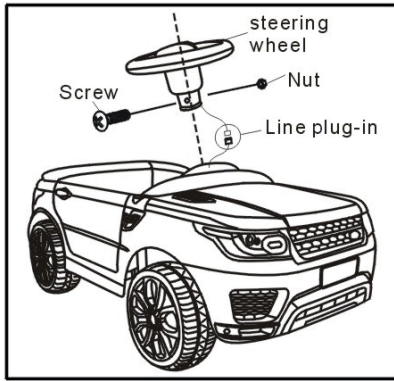
### 2. Assemble the back wheel

As showed in the picture, fix these parts onto the back axel. Fasten tightly with the split pin, put on the wheel cover and cap.



### 3. Assemble the steering iron

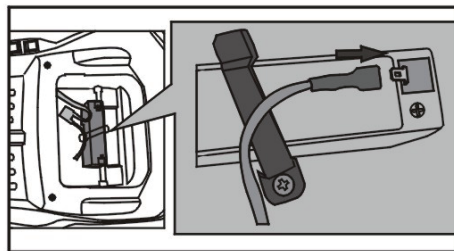
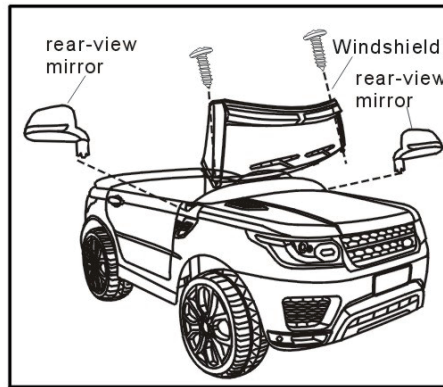
Set the straight side of string iron into the hole in the front of the car body, make sure that the remote control on the direction of stem fixed card into the steering gear box groove, through the hole on the dashboard, hooked in the middle of the hole front axle by bend at one of the iron.



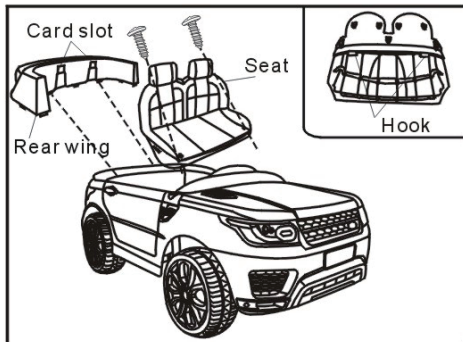
4. Assemble the steering wheel  
Insert cable plug-in well first, then hold the steering wheel in the steering rod, fixed it by screws and nuts.

5. Assemble the mirror  
Insert the mirrors into the hole on the car body tightly.

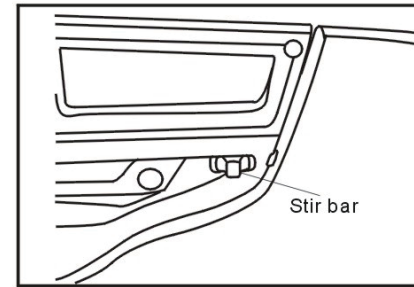
6. Assemble the wind shielder  
Aim the wind deflector neck car body down on inserts, fix with two self-tapping screws on both sides



7. Connect the power  
As showed in the picture, connect the motor plug-in with the car, then connect the power plug-in with the right direction.



8. Assemble the empennage and seat cushion  
buckle into the body corresponding to the position, fix the snap with the neck on the car body, then fasten by reoccupy two self-tapping screws



10. open the car door  
The door can open after push the shifter lever

**Warning. Not to be used in traffic.**  
**⚠ WARNING:**  
**Must be assembled by an adult.**

**GIVE SAFETY EDUCATION BEFORE USE**

1. To avoid being harmed by the little spare parts, children younger than 3 years old can't drive it.
2. Assembled and charged Only by adult,
3. The max loading is 30kgs, suitable for 3-8 years old children. Do not over loading for safety.
4. This product is not traffic tool, keep driving on hard and flat ground.
5. Do not drive in the dangerous place, like street, road or slop.
6. Do not drive the mire or uneven places.
7. Children should be instructed to the correct operation, to prevent the damage caused by improper operation, accident
8. When change gears, release the foot switch, after the car stopped.
9. When driving, adult care and supervision is necessary, Do not leave and keep your children your sight.
10. Do not let the product in rain or other ways touch water, avoid damage the circuit and motor.
11. Check whether the charger, plug-ins, and other parts are in good condition and well connected in time.
12. To make sure safety and use longer, avoid damage the charger, battery or system, must be use the originals.
13. When stop using the car, cut off the power, turn all buttons to "stop" or "off".
14. The charger and battery of the products are not toy, forbidden.
15. Do not use the spare parts not supply from us.
16. The product mainly use PP, safety use time is 2 years.

## HOW TO OPERATE YOUR VEHICLE

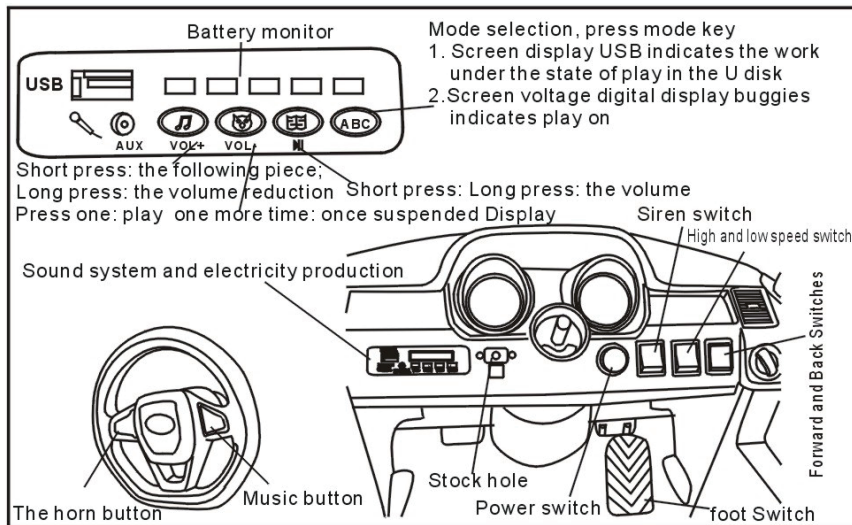
1. Before use, must be confirm the product as follows:

- According to the instruction assemble the car, connected well.
- Make all the screws fastened tightly in the right place.
- Before driving, parents should tell your children safety rules and make them understood.

In order to reduce dangerous:

- Please sit on the seat when driving.
- Only one child drive every time.
- Driving must be under the adult supervision.
- Note the driving in safe place, keep driving on hard and flat ground,  
DO not drive in dangerous places.  
a. ditch pit, river side, slopes or other uneven ground.  
b. Beside the road or other places for cars and people walking.  
c. Barrier which might cause damage and injury.  
d. Other dangerous places.
- Do not drive in black, it may cause injury. Do drive in day time or bright places.

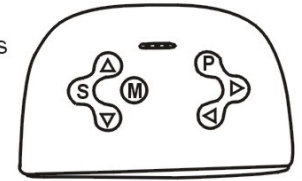
## 2. OPERATE AS FOLLOWS



**Note:** Must tell your children, When change gears, release the foot switch, after the car stopped.  
Do not change gears when the car is driving, or damage the line and other parts.

## 2.4G Remote Control Instructions

For the first time need to code, this product has a memory function, replacement battery next time, you do not need to match the code once again.



- ① Press the "S" key to boot, and then press the "M" button for 2 seconds until the LED flashes quickly.
- ② Open body power, LED turns a long bright on the success of the code.
- ③ Remote control 2 minute without operation of automatic shutdown, press the "S" key to boot.
- ④ Key Description:  $\Delta$  Forward  $\nabla$  Backward  $\triangleleft$  Left  $\triangleright$  Right  
S: On/Off P: Stop  
Press the "P" key to keep the brakes, Indicator light flashes slowly, press the brake button again to lift the brake. Press the "S" key button for 2 seconds until shutdown.

## WARNING

- 1, When using the remote control, please keep less than 10m to the car.
- 2, The remote control should be operated only by adult, keep it away from the children.
- 3, Before use, please read the instruction carefully, and make the empty test, do not allow children drive before you know how to control.
- 4, Do not use this product on road, water or other place with barrier.
- 5, To avoid the circuit damage, please do not use the remote control in rain or other way might cause soaking.
- 6, Do not mix new and old batteries or different batteries.
- 7, When not use for a long time, please remove the battery in case it cause any damage to the circuit board and the remote control.
- 8, Do not drop the remote control when using.
- 9, Take care of the remote control, do not lose it.
- 10, If the remote control can work no far than 3m, it might because there's not enough battery, please replace the cell inside the remote control.

Change the batteries: Remove the battery cover, put 2 batteries in side the remote control, then fasten the cover.



## FUSE

This product configure self-resetting fuse, when the driving car stopped, mainly because of the current exceeds the specified value, at this time, you should wait 8 seconds, then the fuse will automatic reset.

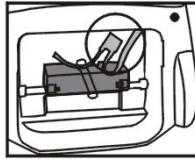
To avoid the fuse trip cause cut the power ,please note the things as follows:

The max loading is 30kgs,do not over the loading.

Do not drag everything .

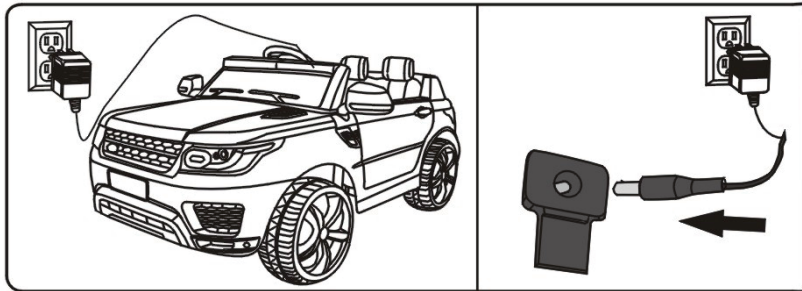
Do not let the water or other liquid touched the circuit,battery and other parts.

Never modify the structure and the electric circuit system.



## CHARGE

- This product should be charged by adult for safety.
- Before first use, the seat should be opened, and the lines should be connected (red to red, black to black). Please charge it at least 8-12 hours.
- The charging port is on the fuel tank cap, and charge it as following steps:
- When driving slowly, it should be charged 8 - 12 hours in time, which can't be over 20 hours.



- 1.Insert the charger tap into charging hole
- 2.Insert the charger into the power socket(The car won't start at charging status)

### NOTE:

- Only can use the manufacturers specified battery and charger.
- The old and new batteries and different types of batteries cannot be mixed use.
- Do not open the battery and charger.
- Do not overturn the battery.
- Before charge,please confirm whether the charger battery and the jack are well,if damaged,stop use,until restored.
- When charging,the battery will be warm,it's regular or the battery maybe damaged.
- Must use the platen fasten the battery,the battery will hurt the children when the car overturn.
- The adult should bring out the battery,proper recycling.
- When the car will be not used for long time,ensure it be charged and charge once every 3 month to keep the battery life.
- The charger is not toy,keep it away from the children.

## MAINTENANCE

- 1.Check the main parts regularly,check if there's any damage of the battery,charger,plug,cover and the other parts,check if the screws are tight,check if the wire lead is old .If any damage,please stop use and deliver to the professional service.
- 2.Clean the iron parts with little lubricating oil after a time of use to avoid rust.
- 3.Keep the car away from fire,avoid direct sunshine;always turn it up but not turn it over;put in dry place when not use,and do not dump the car,Keep the car inside door room or cover it with cloth when wet weather.
- 4.Keep the car away from hot obejects loke stove or heater,for the plastic might be melted;when charging ,keep it away from flammable materials to avoid fire.
- 5.Charge in time after use,and do it by adult,when the car will be not used for long time,ensure it be chargedand charge once every 3 month to keep the battery life.
- 6.Clean the vehicle by dry soft cloth ,do not use any chemical solvents,soap or water,Do not drive in raining or snowing days.
- 7.When stop using the car,cut off the power,turn all the buttons to "stop" or "off" .
- 8.Do not use inconsistent fuse.
- 9.Do not change the line system,structure and additional electric system of the vehicle by yourself,repair work must be done by career man or under professional supervision.
- 10.Toy is not to be used for other purposes
- 11.In the correct polarity in the battery
- 12.It is forbidden to battery is negative short circuit
- 13.The rechargeable battery can't charge
- 14.Rechargeable batteries can only be charged under adult supervision
- 15.The old and new batteries and different types of batteries cannot be mixed use.
- 16.Run out of batteries extracted from toys to properly handle, prevent children playing.
- 17.When stop using the car,cut off the power,turn all the buttons to "stop" or "off" ,properly handle, prevent children playing.

**WARNING: NOT TRAFFIC TOOL,TO KEEP SAFE, ADULT'S SUPERVISION IS REQUIRED.**

**MALFUNCTION ELIMINATES:**

Vehicle couldn't move	1, Check whether the power switch is off.
	2, Check whether the forward/backward switch is in the neutral gear (in the middle)
	3, Check the fuse is damaged, if so, change it.
	4, Check whether the battery wires are connected well?
	5, Charger's dc in the charging socket will make it not work, if so, take it out.
	6, Check whether stepped on the pedal.
	7, Check whether anything trapped in the wheels.
Vehicle move slowly	1, Check whether the battery be fully charged.
	2, Check whether anything trapped in the wheels.
	3, Check whether the vehicle is over loaded.
Vehicle cannot be charged	1, Check whether the charger or battery is damaged.
	2, Check whether the charger and the battery is well connected.
	3, The charger or battery if there is a loose connection.

**WARNING**

- 1, This note is to use illustrations to illustrate the operation of the product and product structure, there are a few differences, in kind prevail.
- 2, In order to improve the quality of the products, under the condition of without telling, we may make changes to the product part of the structure with the appearance, please understanding

**Welcome to visit our website and purchase our quality products!**

Your suggestions and comments for COSTWAY are really important to us!  
We sincerely solicit you to go back to our shop and leave a good rating in just a simple click. It would be quite encouraging if you could kindly do so like below:

★★★★★ Great products so far

February 24, 2019

Great products so far. Fast delivery, easy setup, and working without any issues.

With your inspiring rating, COSTWAY will be more consistent to offer you EASY SHOPPING EXPERIENCE, GOOD PRODUCTS and EFFICIENT SERVICE!

US office: Fontana, California

UK office: Ipswich



- \* Reward Points
- \* Exclusive Customer Service
- \* Personalized Recommendations
- \* Permanent Shopping Cart
- \* Order History

*5 Star Rating*



We would like to extend our heartfelt thanks to all of our customers for taking time to assemble this product and giving us valuable feedbacks.

THANK YOU  
☺