

# GE24STACK INSTALLATION INSTRUCTIONS

(WCVH48\*\*K & DCCH48\*\*K ONLY)

## BEFORE YOU BEGIN

Read these instructions completely and carefully.

- **IMPORTANT**– Save these instructions for local electrical inspector's use.
- **IMPORTANT**– Observe all governing codes and ordinances.
- **Note to Installer** – Be sure to leave these instructions with the Consumer.
- **Note to Consumer** – Keep these instructions for future reference.
- Service must be performed by a qualified installer.
- Proper installation is the responsibility of the installer.
- Stacking installations may require a power cord up to 6 feet in length.

## FOR YOUR SAFETY:

### WARNING –

- Electric Shock Hazard. Disconnect power before installing. Failure to do so could result in serious injury or death.
- Potential Personal Injury. More than two people are recommended to lift the dryer into position because of its weight and size. Failure to do so could result in personal injury or death.
- Avoid Tipping and Rupture of Utility Services. Dryer must be securely attached to the washer. DO NOT place the washer on top of the dryer. Failure to do so could result in personal injury/death or property damage.

## MINIMUM CLEARANCE OTHER THAN ALCOVE OR CLOSET INSTALLATION

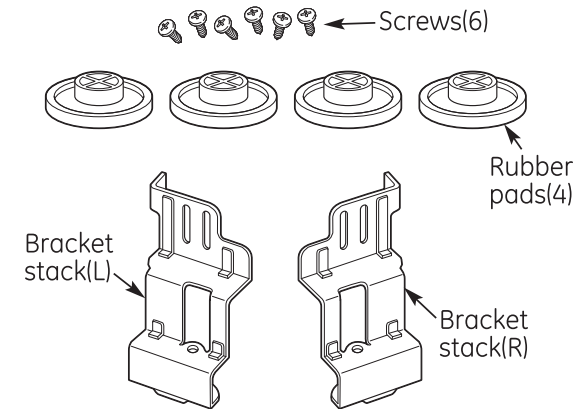
Minimum clearance to combustible surfaces and for air opening are: 0" both sides, 1" front and 3" rear. Consideration must be given to provide adequate clearance for installation and service.

## REQUIREMENTS FOR ALCOVE OR CLOSET INSTALLATION

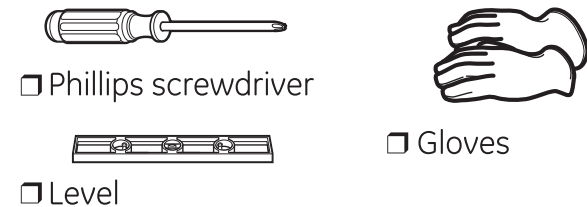
- Your dryer is approved for installation in an alcove or closet, as stated on a label on the dryer back.
- The dryer MUST be vented to the outdoors. See the EXHAUSTING THE DRYER section.
- Minimum clearance between dryer cabinet and adjacent walls or other surfaces is: 0" either side 3" front and rear

- Minimum vertical space from floor to overhead shelves, cabinets, ceilings, etc., is 52".
- Closet doors must be louvered or otherwise ventilated and have at least 60 square inches of open area equally distributed. If the closet contains both a washer and a dryer, doors must contain a minimum of 120 square inches of open area equally distributed.

## KIT CONTENTS (GE KIT #GE24STACK)



## TOOLS YOU WILL NEED



## INSTALLATION PREPARATION

Remove the packaging.

Flatten the product carton to use as a pad to lay the dryer down on its side. Continue using the carton to protect the finished floor in front of the installation location.

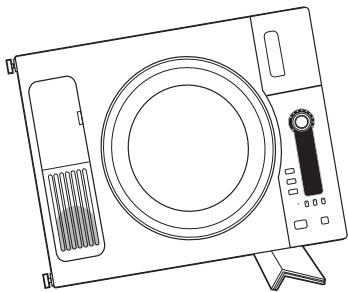
# GE24STACK INSTALLATION INSTRUCTIONS

## (WCVH48\*\*K & DCCH48\*\*K ONLY)

### INSTALLING THE STACK BRACKET KIT

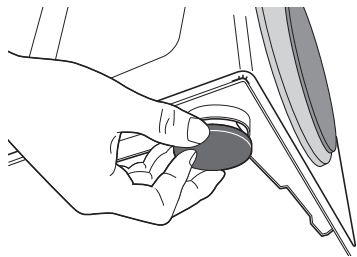
#### ① LAY THE DRYER ON ITS SIDE

A. Carefully lay the dryer on its side. Use the packing material so you don't scratch the finish on the dryer.

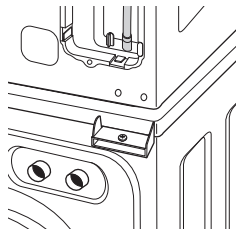


#### ② INSTALL RUBBER PADS

A. Locate the 4 rubber pads in the parts package. Insert rubber pads into the LEG.



B. Set the dryer upright.

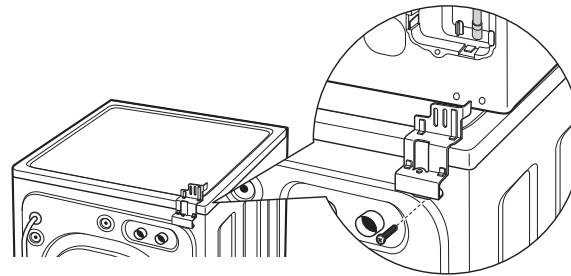


#### ③ INSTALL BRACKET TO DRYER

A. Remove washer top cap screw from the rear left. Align left bracket holes with top cap screw hole on rear left of the unit and replace screw.

**NOTE:** Leave screw loose so dryer hole alignment will be easier.

B. Repeat the above step with the right side.



#### ④ INSTALL DRYER AND BRACKET ON WASHER

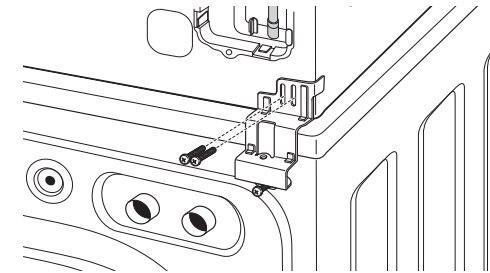
A. Lift the dryer on top of the washer. Protect the washer control panel with cardboard or other protection. Be sure to lift the dryer high enough to clear the washer control panel.

**! WARNING – Potential**

**Personal Injury. More than two people are recommended to lift the dryer into position because of its weight and size. Failure to do so could result in personal injury or death.**

B. Align the holes in the bracket with the holes in the back of the dryer. Using a Phillips screwdriver, attach the 4x12mm tapping screws.

C. Tighten the washer bracket screws; then tighten all stacking kit screws.



#### ⑤ FINALIZE THE INSTALLATION

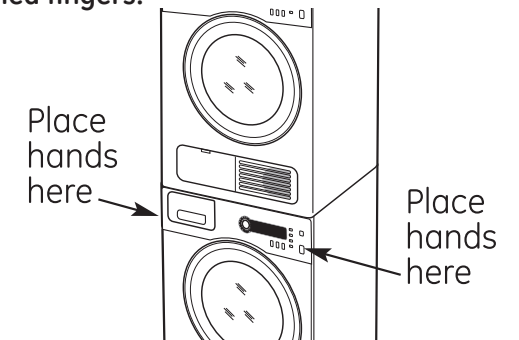
A. Refer to the washer Installation Instructions to complete the washer installation.

B. Refer to the dryer Installation Instructions to complete the dryer installation.

C. Carefully slide or walk the stacked washer and dryer into place. Use felt pads or other sliding device to assist moving and to protect flooring.

**! WARNING – Potential Personal**

**Injury. Do not push on the dryer once installed to top of the washer. Pushing on the dryer may result in pinched fingers.**



DC68-02772D