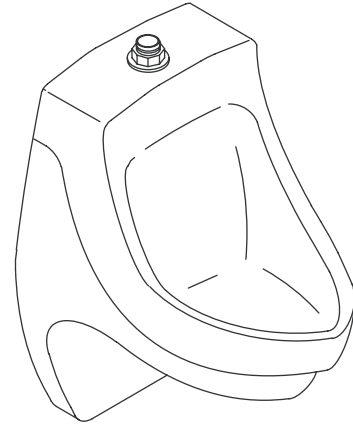


### Features

- Vitreous china
- Siphon jet
- 3/4" top spud
- Includes inlet and outlet spuds and hangers
- Includes anti-backsplash wall
- 14-1/2" (36.8 cm) extended rim
- 0.5 gpf (1.9 lpf) to 1.0 gpf (3.8 lpf)

## URINAL K-5016-ET

ADA



### Codes/Standards Applicable

Specified model meets or exceeds the following:

- ASME A112.19.2/CSA B45.1
- ICC/ANSI A117.1
- ADA

### Colors/Finishes

- 0: White
- Other: Refer to Price Book for additional colors/finishes

### Accessories

- CP: Polished Chrome

### Specified Model

Model	Description	Colors/Finishes	
K-5016-ET	3/4" top spud urinal	<input type="checkbox"/> 0	<input type="checkbox"/> Other _____
Optional Accessories			
K-10961	1.0 gpf (3.8 lpf) Touchless DC flushometer with TriPoint™ technology	<input type="checkbox"/> CP	

### Product Specification

Siphon jet urinal shall be made of vitreous china with a 3/4" top spud. Urinal shall include inlet and outlet spuds and hangers. Urinal shall include anti-backsplash wall. Urinal shall use 0.5 gpf (1.9 lpf) to 1.0 gpf (3.8 lpf). Urinal shall have a 14-1/2" (36.8 cm) extended rim. Urinal shall be Kohler Model K-5016-ET-\_\_\_\_\_.

# DEXTER™

## Technical Information

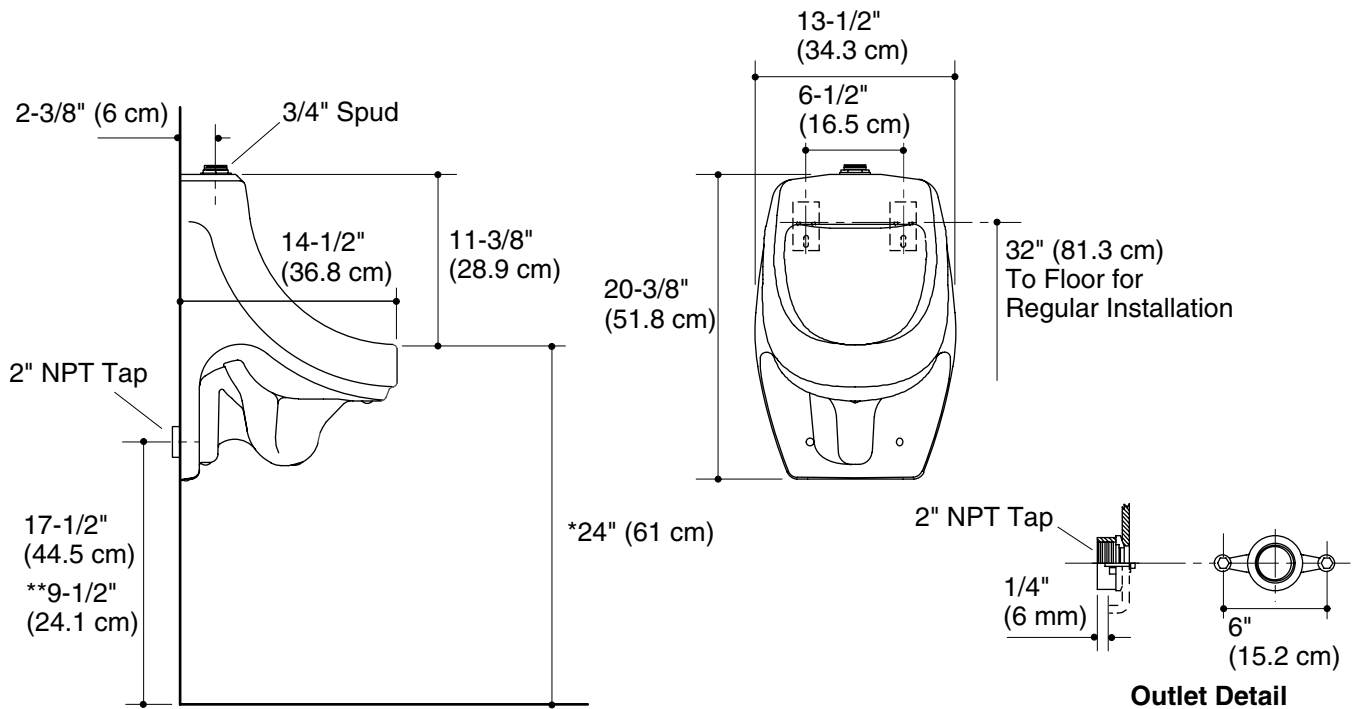
Urinal complies with ADA requirements when rim is mounted no higher than 17" (43.2 cm) from finished floor.	
<b>ADA</b>	
Fixture:	
Configuration	3/4" top spud
Spud inlet size	3/4"
Water per flush	0.5 gpf (1.9 lpf) to 1.0 gpf (3.8 lpf)*
* Designed to use 0.5 gpf (1.9 lpf) to 1.0 gpf (3.8 lpf) of water when installed with a water saving flush valve.	

Included components:	
3/4" inlet spud	18376
2" outlet spud	18766
Hanger (2 required)	64512

## Installation Notes

Install this product according to the installation guide. Refer to manufacturer's instructions and local codes for flush valve requirements.

\*Urinal complies with ADA requirement when rim is mounted no higher than 17" (43.2 cm) from finished floor.  
 \*\*Outlet height for ADA compliance.



## Product Diagram