

REPAIR SHEET

BRAND

RYOBI

DESCRIPTION

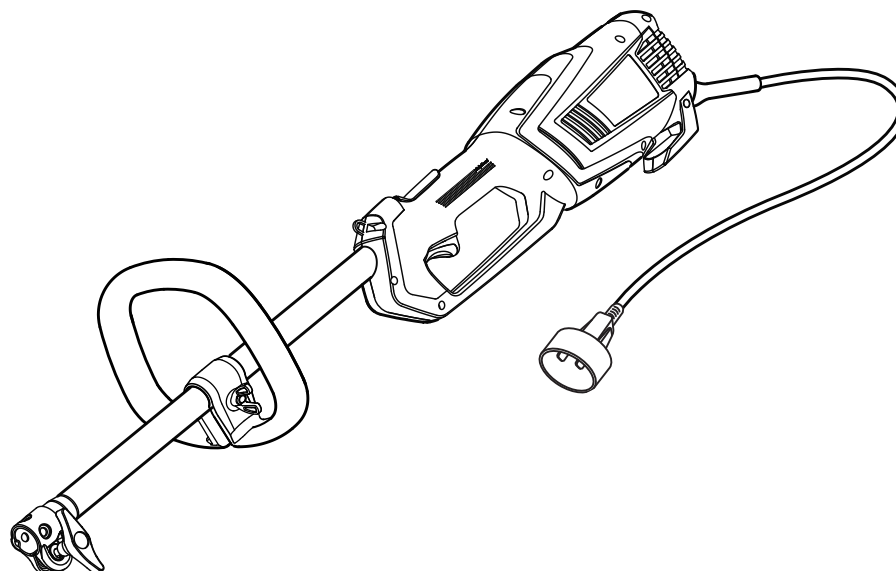
Electric Power Head

MODEL NO.

RY15124

MFG. NO.

099839001

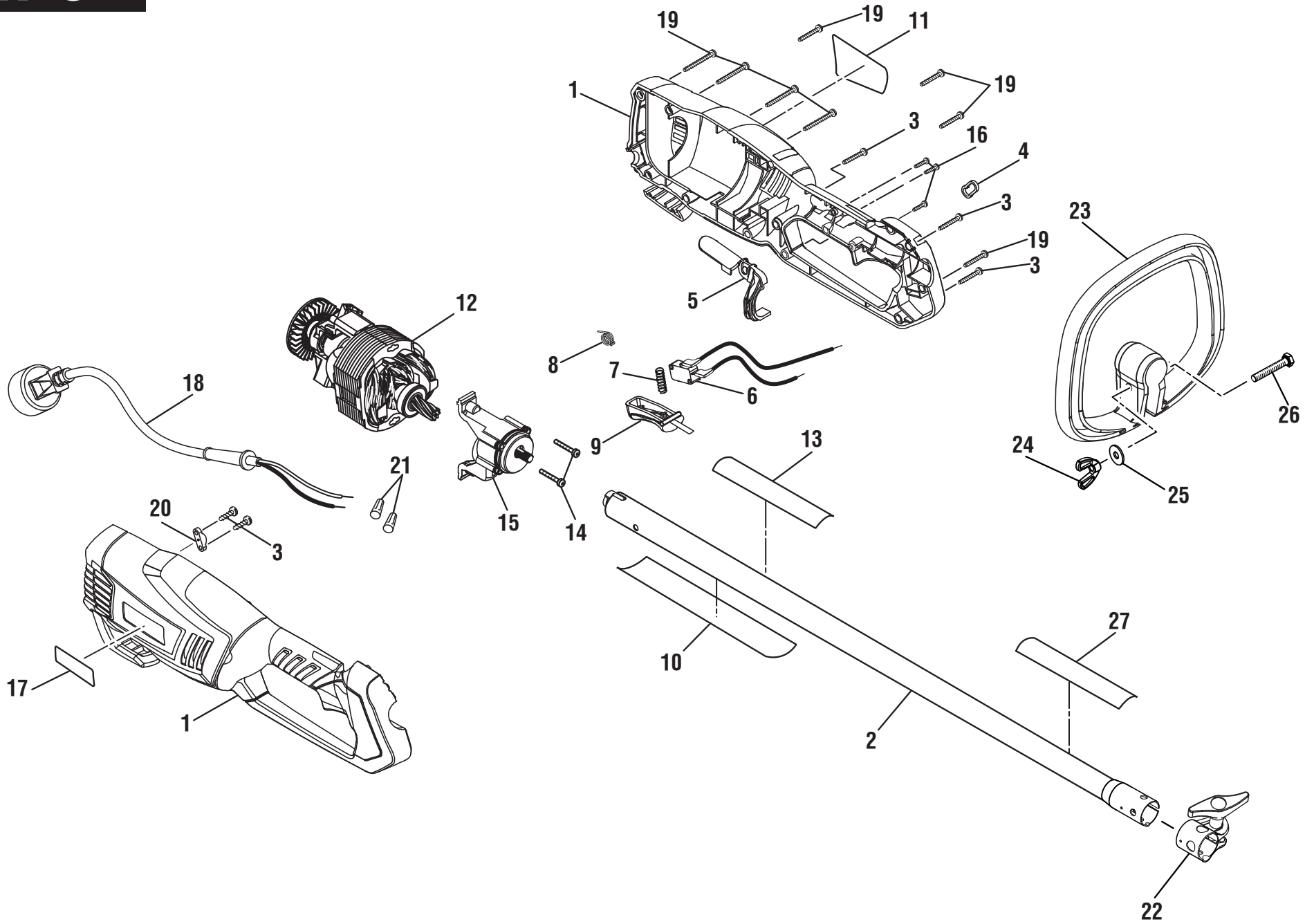


TECHTRONIC INDUSTRIES POWER EQUIPMENT

P.O. Box 1288, Anderson, SC 29622 ■ 1-800-525-2579 ■ www.ryobitools.com

2-3-21 (Rev:03)

The model number and manufacturing location will be found on a label attached to the product. Always mention this information in all communications regarding this product and when ordering parts.

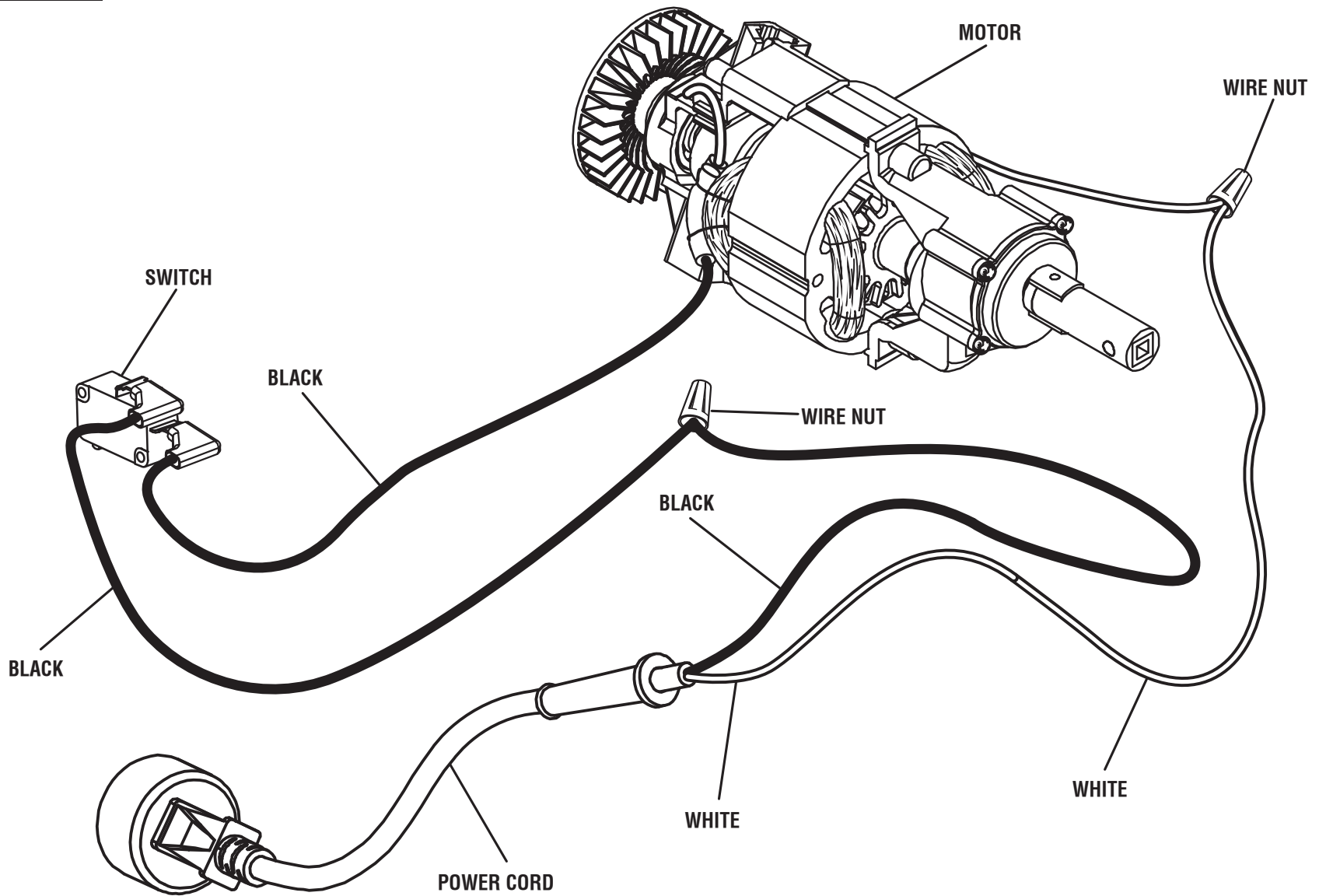


PARTS LIST

KEY NO.	PART NO.	DESCRIPTION	QTY.
1	099839001009	Housing Assembly	1
2	099839001002	Boom Assembly	1
3	099839001020	Screw (M4 x 14 mm)	5
4	099839001007	Strap Hook	1
5	099839001017	Lock-Out Lever	1
6	099839001014	Switch Assembly w/Leads	1
7	099839001018	Compression Spring	1
8	099839001008	Torsion Spring	1
9	099839001022	Switch Trigger	1
10	099919001902	Warning Label (French)	1
11	941588045	Data Label/Warning Label (English and Spanish)	1
12	099839001011	Motor Assembly	1
13	099919001900	Icon Strip Label	1
14	099839001012	Screw	2
15	099839001010	Gear Assembly	1

KEY NO.	PART NO.	DESCRIPTION	QTY.
16	099839001021	Screw (M3 x 12 mm)	3
17	940705492	Logo Label	1
18	099839001015	Power Cord Assembly	1
19	099839001019	Screw (M4 x 16 mm)	8
20	099839001016	Cord Clamp	1
21	099839001013	Wire Nut	2
22	099839001001	Boom Clamp Assembly	1
23	099839001005	Front Handle	1
24	099839001003	Wing Nut (1/4-20)	1
25	099839001004	Washer (1/4 in.)	1
26	099839001006	Bolt (1/4-20 x 40 mm)	1
27	941263016	Attachment Capable Label	1
	Not Shown:		
	990000718	Operator's Manual	

⚠ WARNING: Improper repair of a double insulated tool can result in damage to the double insulation system possibly causing electrical shock or electrocution. Any repairs requiring disassembly of your tool requires safety testing and should only be performed by a RYOBI Authorized Service Center. For the service center nearest you call 1-800-525-2579.



WIRING DIAGRAM

**RYOBI
EXPAND-IT STRAIGHT SHAFT
TRIMMER ATTACHMENT
ITEM NO. RYSST44
MFG. NO. 090110015
REPAIR SHEET**

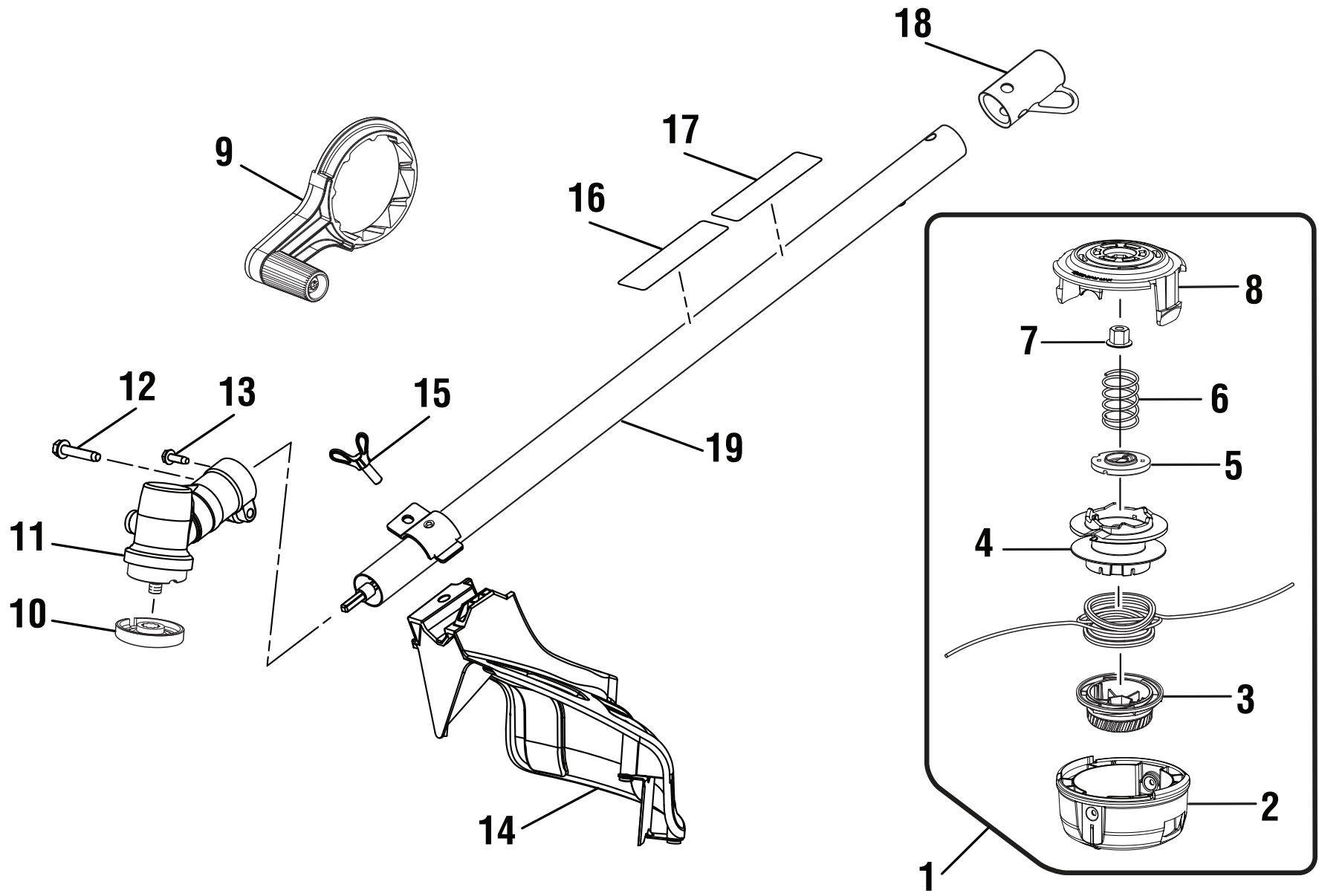
ONE WORLD TECHNOLOGIES, INC.

P.O. Box 1288, Anderson, SC 29622 • Phone 1-800-525-2579

États-Unis, Téléphone 1-800-525-2579 • USA, Teléfono 1-800-525-2579

www.ryobitools.com

RYOBI EXPAND-IT TRIMMER ATTACHMENT - ITEM NUMBER RYSST44



RYOBI EXPAND-IT TRIMMER ATTACHMENT – ITEM NUMBER RYSST44

The item number and manufacturing number can be found on a label attached to the unit. Always mention the item number and manufacturing number of your **STRAIGHT SHAFT TRIMMER ATTACHMENT** when requesting service or ordering repair parts.

PARTS LIST

KEY NO.	PART NUMBER	DESCRIPTION	QTY
1	311759015	Trimmer Head Assembly (.095) (Inc. Key Nos. 2-8)	1
2	530366001	Lower Housing	1
3	530455002	Bump Knob (Green).....	1
4	530670001	Spool	1
5	529803001	String Guide.....	1
6	678749001	Compression Spring.....	1
7	662568002	Hex Nut (M8, L.H. Thread).....	1
8	530001004	Upper Housing	1
9	312283001	Crank Handle Assembly	1
10	678011001	Flanged Washer.....	1
11	308210009	Gear Case Assembly	1
12	660642001	Screw (1/4-20 x 1-1/4 in., Hex Washer Hd. S.T.)	1
13	660736001	Screw (10-24 x 5/8 in., Hex Washer Hd. S.T.)	1
14	308473005	Grass Deflector Assembly (Inc. Key No. 15)	1
15	660886001	Wing Screw (1/4-20 x 7/8 in.)	1
16	940726013	Expand-it Label	1
17	940657165	Warning Icon Label.....	1
18	518019002	Storage Hanger Cap.....	1
19	308035047	Straight Shaft Assembly (Inc. Key Nos. 16-18)	1
	NOT SHOWN:		
	995000172	Operator's Manual	
	12-12-18		
	(Rev:01)		