

Toll Free 866 215 1421  
info@jakob-usa.com

## Installation Instructions for Wire Rope Plant Trellis System. Part #30790-0000

### Parts List:

- - 6 qty, Stainless steel rod 39 ½" long. 5/32" diameter.
- - 4 qty, Stainless steel cables 98 7/16" long. 5/32" diameter.
- - 8 qty, Spacers.
- - 8 qty, Tensioners.
- - 8 qty, Plastic anchor (for concrete/masonry)
- - 8 qty, Screw.
- - 24 qty, plastic cross clamps.
- - 1 qty, Allen wrench.

### Tools Needed:

- Safety glases
- Step Ladder
- Pencil.
- Measuring tape.
- Level.
- Plumb bob.
- Electric drill.
- Hammer
- Exterior grade sealant & caulking gun.
- Cable cutter or electric grinder or Dremel tool with cutting disk.

Please refer to Installation Details diagram during installation.

**\*\*IMPORTANT:** Never attach trellis to vinyl siding, Dryvit or other synthetic or natural construction material. Walls where integrity is uncertain or where possible penetration of a moisture barrier membrane may create A potential for water leakage or damage or may violate and void any product warranties. Be sure to carefully seal any wall penetrations with the proper sealant materials. Consult a construction expert for advice on your specific conditions.

QUESTIONS: 1866 215 1421

EMAIL: [info@jakob-usa.com](mailto:info@jakob-usa.com)

## Mounting the brackets:

Determine the mounting location for both Spacers top and bottom.

1-Remove the base plate of the spacer. (C)

2-Mark the drill hole with a pencil using the center hole.

3-Drill the hole using **Drill bit 5/16" Concrete/ masonry wall.**

4-Insert plastic anchor. (A)

Gently tap them with a hammer until they are flush with the wall face.

5-Seal the wall penetration hole by squeezing a ring of premium exterior grade sealant around the drill hole before attaching the base plate (C). Be sure to check with your local hardware/paint store for recommendations on the proper sealant to use given your surface and attachment conditions.

6-Attach the spacer. **See installation details (3)**

**Note: To cut cable to the proper length measure the distance from center to center of top and bottom spacer (S) and subtract 2".**

7-Attach the cables to the tensioners. See installation details (4)

8-Insert the tensioner through the holes of the top and bottom spacers.

See installation details (5)

9-To tension the cables spin the nut by hand until threads engage and you start to feel resistance. **IMPORTANT: Do not over tension the cables; they should simply hang straight and flex easily. See installation details (6)**

### HANGING THE RODS:

10-With a measuring tape and Sharpie felt pen, mark each cable (E) at the points where you'd would like to attach the rods (R).

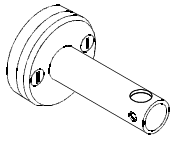
11-Remove sets screws from plastic Cross Clamps (cc). Use Allen wrench.

Loosely attach the rods (R) to each cable by sliding the slotted Cross Clamps onto each cable and then inserting and gently tightening the Cross Clamps setscrews.

**See installation details (7)**

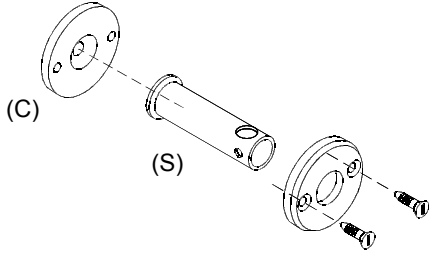
**IMPORTANT: Do not force the setscrews into the Cross Clamp as this might damage the threads.** If you encounter any resistance, simply back off the setscrews slightly to re-align the threads and then try again. The Cross Clamps may be attached with the setscrews facing the wall or toward the wall.

12-Adjust the position of the rods on each cable so that the Cross Clamp are centered on the felt pen marks, and then securely tighten the setscrews on all Cross Clamp fittings to lock the rods in position.

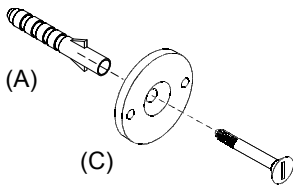


## SPACER - Wall attachment

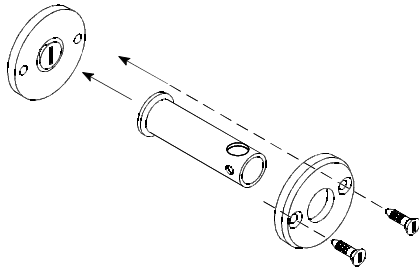
1 Remove base plate from SPACER



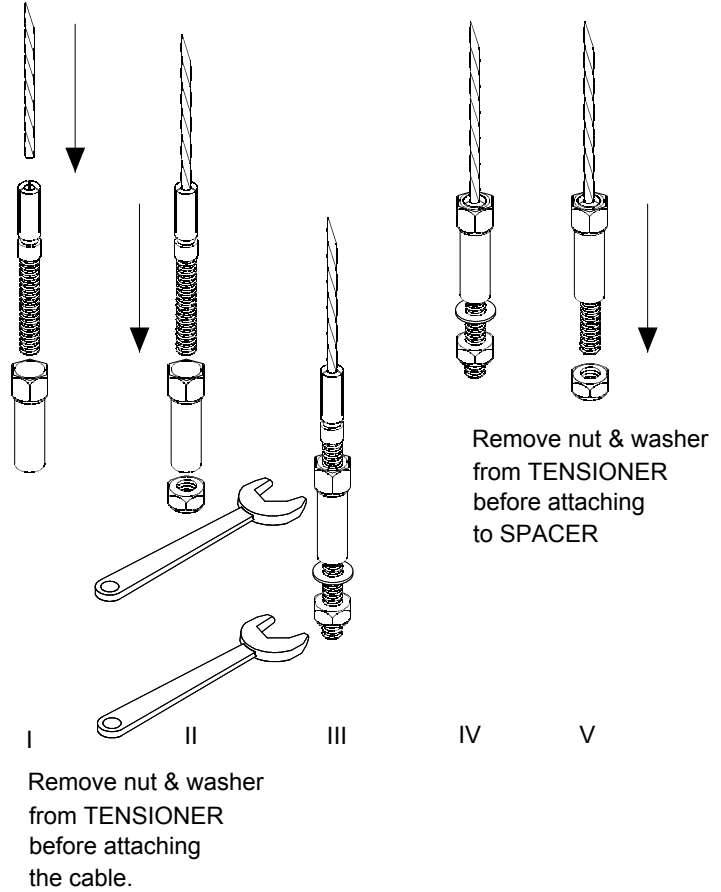
2 Mount base plate to the wall



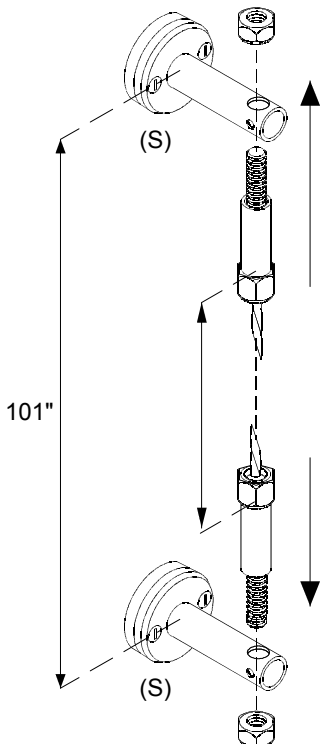
3 Attach SPACER to the base plate



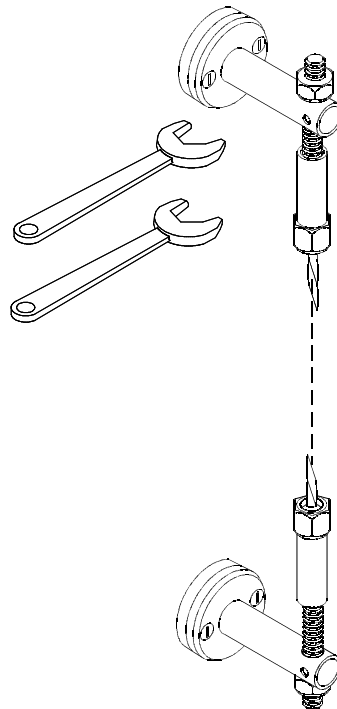
## 4 TENSIONER



5 Attach top and bottom tensioners



6 Tension the cables using nuts until the cable is straight



7 Attach the rods with the 2 part plastic clamp

