



CROSSOVER PRODUCT™

POST WRAP INSTALLATION INSTRUCTIONS

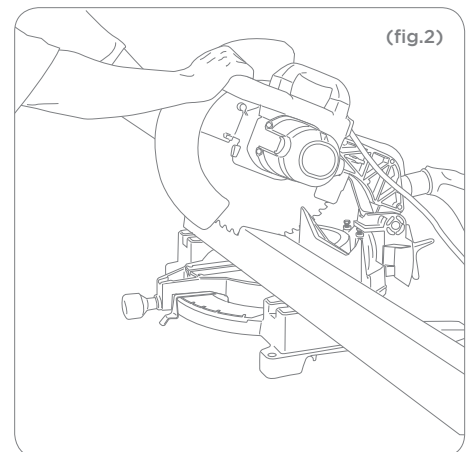
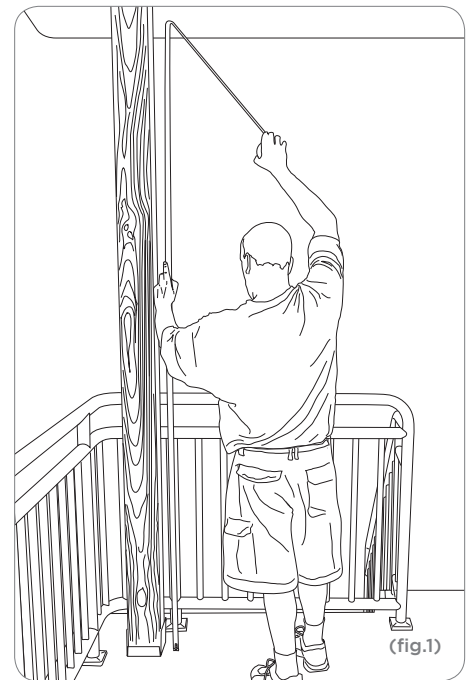
Compatible with all RDI Products



POST WRAP

1.

Measure height of post or newel to wrap. (fig.1) Subtract 1/8" to allow for expansion, and cut all four quarters of post wrap (fig.2).

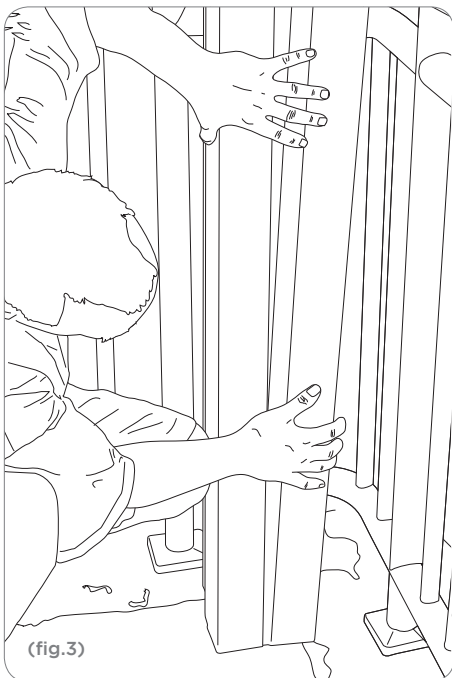


WARNING:
Always wear
safety goggles.

2.

Align and connect two quarters in place around post (fig.3), and compress for a snug fit.

Remove the assembled half and set safely aside.



3.

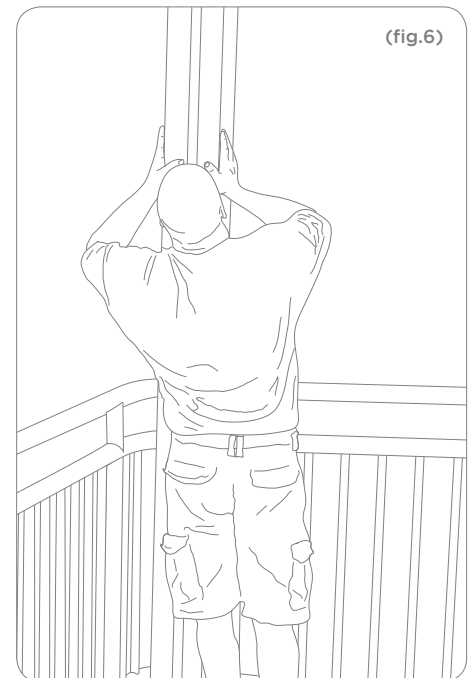
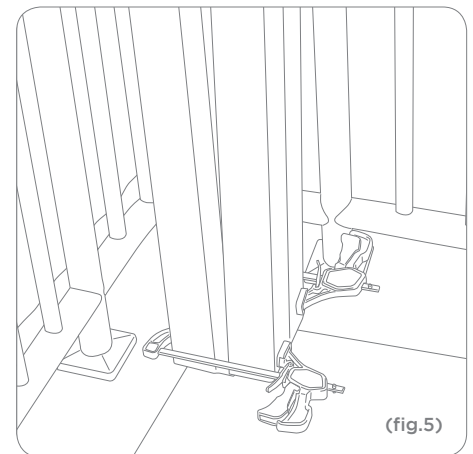
Align and connect the remaining two quarters (fig.4), but **DO NOT COMPRESS** — leave roughly 1/4".



4.

Put the first assembled half into position and clamp in place (fig.5).

Align the channels and ribs of the second half to the first and compress until all four sides are equal in width (fig.5&6).





RAILING DYNAMICS, INC.
FOR HOME, FOR LIFE™

135 STEELMANVILLE ROAD
EGG HARBOR TOWNSHIP, NJ 08234

TEL: (877) 420-7245
FAX: (866) 277-5160
E-MAIL: CS@RDIRAIL.COM
URL: WWW.RDIRAIL.COM

Endurance