



STYLE BOARD ON BOARD (Privacy)
SHADOWBOX (Semi-Private)
TRADITIONAL (Semi-Private)

INSTALLATION MANUAL

BRACKET MOUNT FOR DOG-EAR PICKETS & SQUARE TOP PICKETS



Questions, problems, missing parts? Before returning to the store,
call Fiberon Customer Service
8 a.m. - 7 p.m., EST, Monday - Friday, 9 a.m. - 6 p.m., EST, Saturday

1-800-215-2740

FIBERONFENCING.COM

THANK YOU

We appreciate the trust and confidence you have placed in Fiberon through the purchase of this fencing. We strive to continually create quality products designed to enhance your home. Visit us online to see our full line of products available for your home improvement needs. Thank you for choosing Fiberon!

Pre-Installation

TOOLS REQUIRED

- Air compressor
- Tape Measure
- Wheel Barrow
- Post Hole Digger
- Saw
- Staple Gun
- Hammer
- Clamp
- Level
- Power Drill
- Rail & Bracket Locator Template (provided)

SUPPLIES

- Quick Set Concrete
- Gravel
- Twine or String
- Stakes
- Spray Paint
- Galvanized Staples Leg: 1 1/4 / 1 1/2 in.
- Work Gloves
- Brackets
- Pencil

PRIOR TO INSTALLING THE FENCING



IMPORTANT: Please read and follow the instructions in this section before you begin installation of your fencing products.



NOTE: Prior to digging, confirm location of underground utilities with local authorities. Apply for permits if required by local authorities and codes. Local zoning laws, neighborhood associations and/or historic districts may regulate size, type placement and ability of fencing. Ensure compliance prior to installation.



NOTE: Due to variation in picket width, minor adjustments to gapping may be required. Care should be taken to ensure that spacing does not result in too large of gap at the end posts.

PLANNING:

- Determine total area to be fenced.
- Site-Built installation: Ensure the right amount of pickets and rails per section.
- Make adjustments for odd widths at the back corners or build partial sections equally. Example: If you have 8 feet left in a run, consider building two 4 ft. sections rather than a 6 ft. and a 2 ft..
- Determine the number of posts including gate post and gate location (if applicable).
- Installations are facilitated with the use of an air compressor or air driven staple gun.
- Recommendation fasteners include 1-1/4 - 1-1/2 in. long x 1/4 - 7/16 in. crown galvanized and oiled or stainless steel staples, 16 - 18 gauge. Name brand staples are more reliable. Air compressor set to 90-100 PSI.

Pre-Installation (continued)

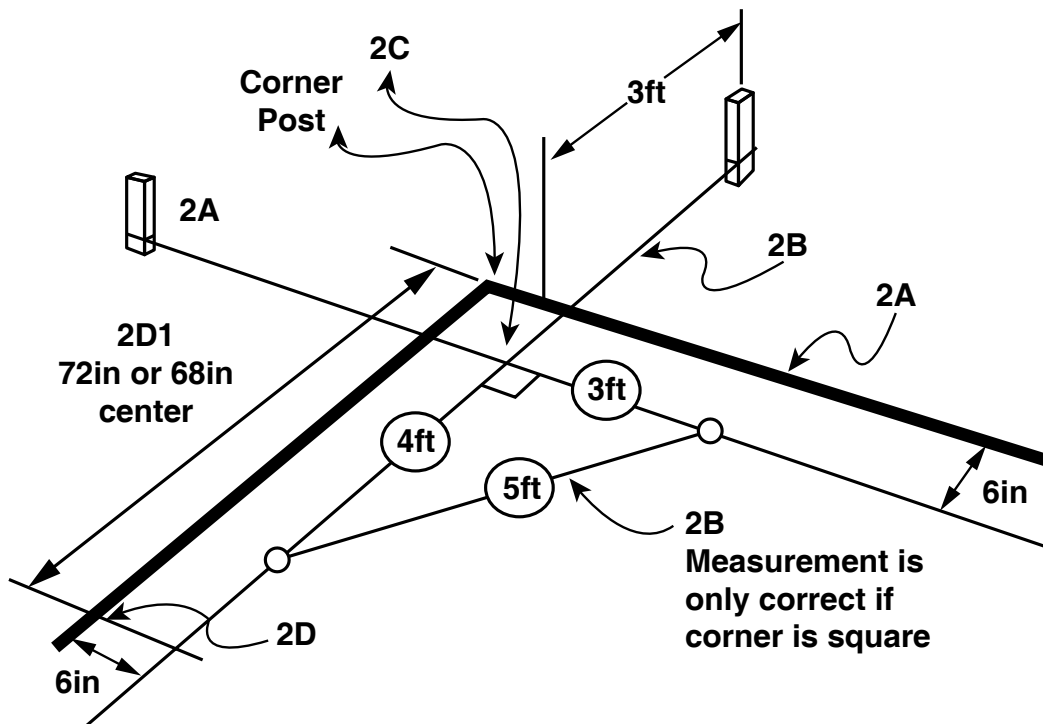
PRIOR TO INSTALLING THE FENCING

LAYOUT (See Diagram):

- 2A. Establish total area to be fenced. Insert stakes 6 in. inside of proposed area extending an additional 3 ft. laterally so as not to disturb string lines when digging post holes.
- 2B. Attach string line to staked area. Verify corners are square using the 3 ft. x 4 ft. x 5 ft. method.
- 2C. Fence corners are determined by where strings intersect.
- 2D. Mark locations for subsequent posts starting with the first location and measuring the appropriate distance determined by install method.
 - 2D-1. Bracket Side Mount - Maximum of 72 in. post-center to post-center
- Mark gate location and size. Minimum 44 in. inside posts when using Adjustable Gate Frame.
- Place proper post at each location.



NOTE: When marking measurements with spray paint, mark both the ground and string (See illustration)



All Purpose Post Installation

1 Dig hole:

- Dig hole 12 in. wide x 30 in. deep.

2 Add Gravel

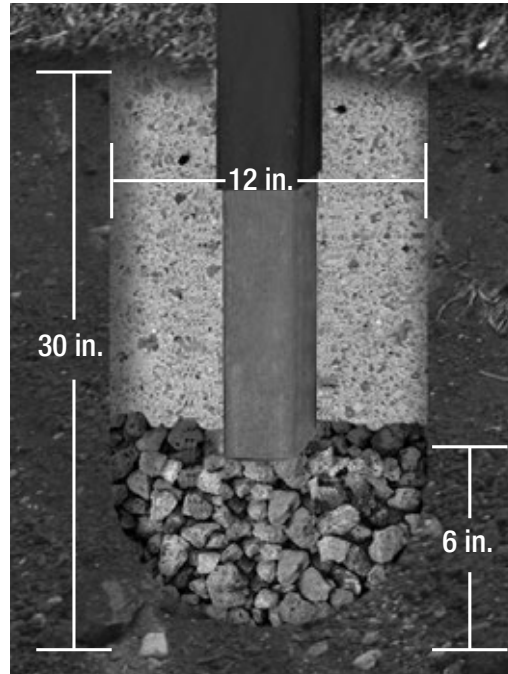
- Add 6 in. gravel (depth now = 24 in.)

3 Set Post

- Add 160 lbs of concrete.

4 Next Post

- Set post at a maximum of 72 in. post-center to post-center.



Cross Rail Installation



IMPORTANT: Through temperature changes of seasonal weather, Wood Composite Fencing will experience thermal expansion in the pickets and cross rails. To anticipate this expansion movement, our instructions include installation steps which need to be followed to prevent pressure from building in the fence during the hot summer months. Following these preventive steps will ensure a long lasting fence through the years. Avoid installing below 40 degrees.

USE RAIL & BRACKET LOCATOR

Place Rail and Bracket Locator template square against the post. Slide Bracket into location. Attach with provided screws.

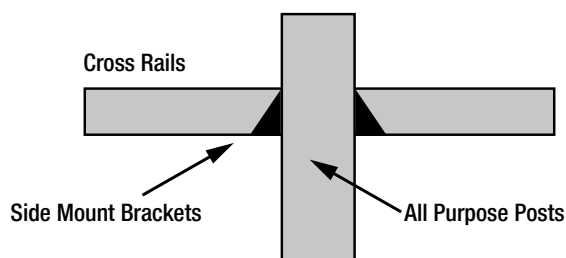
ADD CROSS RAILS IN BRACKETS

Mark the Bracket hole locations on the Post and Cross Rail ends. Pre-drill the holes to prevent splitting the ends of the wood insert or the composite sleeve. Slide Cross Rails into Brackets. Attach with provided screws through bracket screw slots. Skip using screw where picket covers bracket.

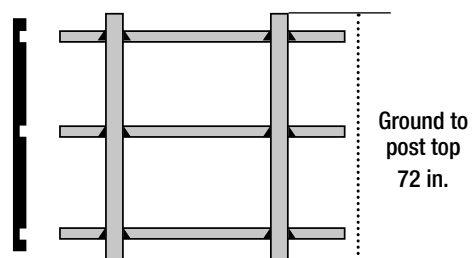
Screw/Bracket Slot Locations: Top Rail = Tighten screws into slot-top Middle Rail = Touch Tighten into slot bottom Bottom Rail = Touch Tighten into slot bottom



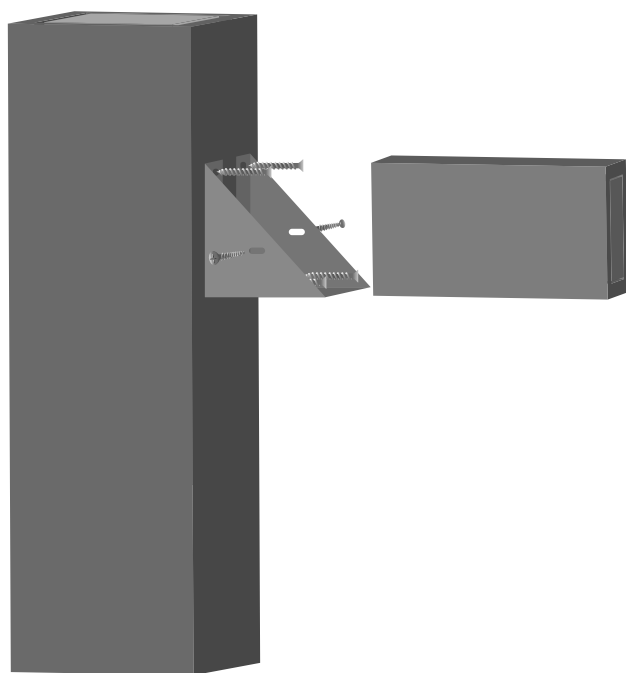
NOTE: Avoid applying screws to top 5 Inches of post tops.



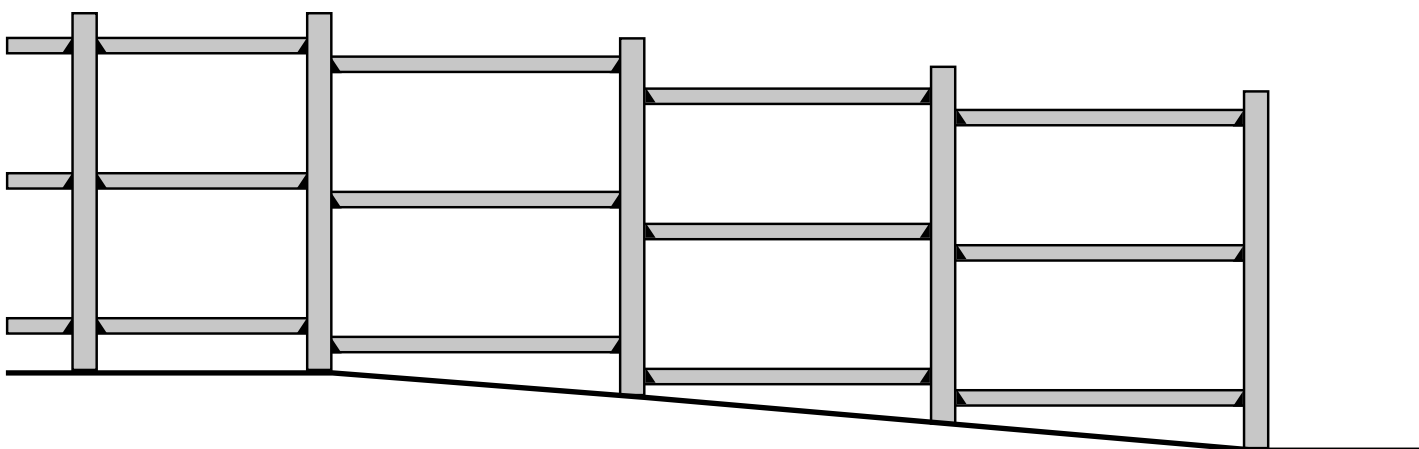
Rail & Bracket Locator Template



Cross Rail Installation



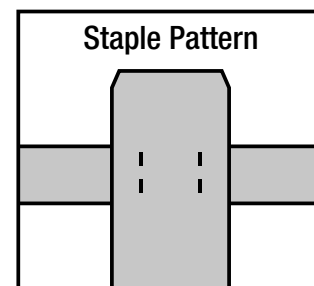
 **NOTE:** For sloping landscape, step brackets down.



Picket Installation

STAPLES

Holding the staple gun sideways, shoots 4 staples in a box pattern in each “picket and cross rail intersection” so the staples hide vertically in the grain of the picket. To prevent staple buckling when fired into pickets, go slow, push the staple gun firmly and make sure the fence panel is not bouncing back towards the gun. Shorter 1 1/4 in., 16 gauge staples are also used frequently in low-temperature installation to help prevent staple buckling. Set air-compressor to 90-100 PSI.





Traditional (semi-private)

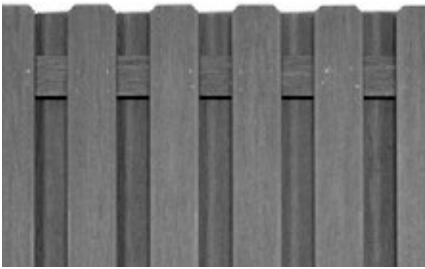
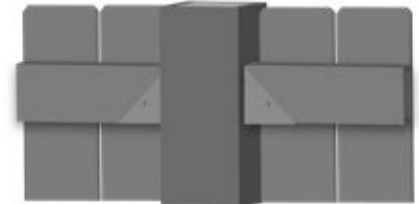
Dog-ear Picket 4 5/8 in. x 69 in.
Square Top Picket 6 5/8 in. x 69 in.



TRADITIONAL PICKET STYLE

Traditional style consists of 14 Dog-ear and 10 Square Top pickets between posts, and it is important to leave a 1/8 in. space in between each picket. A minimum of 1/8 in. picket spacing is a necessary precaution to avoid the thermal expansion of the pickets, from pushing into each other and building pressure. A small space in between the pickets will prevent the pickets from ever touching. The Traditional Picket Style is more of a semi-private fence.

- 1/8 in. spacing between pickets.
- Pickets install 1 in. below post top and 2 in. above the ground
- Staples 1 1/2 in. Galvanized or Stainless Steel, 4 staples per picket and rail crossing



Shadow Box (semi-private)

Dog-ear Picket 4 5/8 in. x 69 in.
Square Top Picket 6 5/8 in. x 69 in.



SHADOW BOX PICKET STYLE

For an easier semi-private installation, we recommend a “Good Neighbor” Shadow box Picket Style. You don’t need to be precise with the spacing, and it looks great from both sides. Shadow Box style consists of 17 to 21 Dog-ear and 13 Square Top pickets per 6 ft. section (depending on the look you want).

- Spread pickets evenly across both sides of rail
- Pickets install 1 in. below post top and 2 in. above the ground
- Staples 1 1/2 in. Galvanized or Stainless Steel, 4 staples per picket and rail crossing



Board on Board (private)

Dog-ear Picket 4 5/8 in. x 69 in.
Square Top Picket 6 5/8 in. x 69 in.



BOARD ON BOARD PICKET STYLE

Board on Board is a full privacy fence with 17 to 21 Dog-ear and 13 Square Top pickets per 6 ft. section. It’s the strongest picket style of the 3, with all of the pickets stapled together in an overlapping picket method. The Board on Board picket style is also the easiest to install. You don’t need precise spacing, plus during the entire installation you only need to stand on one side of the fence. Normal spacing between pickets is 2 3/4 in.

- Spread pickets evenly overlapping on 1 side of rail
- Pickets install 1 in. below post top and 2 in. above the ground
- Staples 1 1/2 in. Galvanized or Stainless Steel, 4 staples per picket and rail crossing



Gate Frame Kit Installation

Follow the Gate Frame Kit instructions in the box to install each gate. All hardware is included. Use 1 gate frame kit for a single gate; use 2 gate frame kits for a double drive gate. Gates are designed to “swing in.” Gate pickets need a minimum of 4 in. above the ground grade to swing properly. Pickets should be installed in a single layer Tradition Picket Style row for gates only. Shadow Box and Board on Board Styles add too much extra weight to the frame and hinges of the gate. In general, the shorter and lighter it is, the stronger the gate will be. Gates that exceed 4 1/2 feet wide require a support wheel for weight distribution and stability. Attach the support wheels directly to the metal gate frame kit only. Support wheels are sold separately.

Helpful Tips for Bracket Mount Fence Styles

1. The Board on Board is the only style that provides tight visual privacy and is relatively easy to install.
2. Shadow Box provides a similar look on either side of the fence, thus the name “Good Neighbor.” Some communities require a “same look” on each side.
3. While we recommend 17 Dog-ear and 13 Square Top pickets per 6 ft. for the Shadow Box and/or the Board on Board, you can use more than that to achieve a “tighter look,” reducing the spacing between the pickets. This especially changes the Shadow Box look.
4. The recommended gap of 1/8 in. (it can be more than 1/8 in. if you wish) between the pickets in the Traditional “one sided” is not optional but necessary to accommodate possible thermal expansion.
5. In a typical fence run, it is common to have sections less than 6 ft. We recommend a symmetrical look when possible. E.G. a 20 ft. run could be 6 ft. - 6 ft. - 6 ft. - 2 ft., however 4 ft. - 6 ft. - 6 ft. - 4ft. would look better. In a 10 ft. run, 2 each 5 ft. sections usually looks better than a 6 ft. and a 4 ft.
6. Sometimes it becomes necessary to rip a picket to fill a space, at the end of the fence. If you see that you will need to rip a picket, it always looks better to rip more than one. The material is easy to rip with a standard table saw. E.G. if a short section will require a 2 inch filler strip to complete the infill, instead of making an ugly 2 in. filler, rip 1/2 in. off 4 pickets and scatter the slightly more narrow ripped pickets throughout the section. The eye won't notice and the fence will look great.
7. Use the recommended gravel and concrete quantities, don't “cheat below the ground.” The gravel isn't just for drainage, it also provides a base for the fence foundation.
8. Your fence will settle a bit, keep the picket bottoms up off the ground or they will buckle. Recommended distance is 2 in.
9. When a picket is to cover a bracket, leave that side's screw out - do not use it.

Warranty

15 & 10 YEAR PERFORMANCE LIMITED WARRANTY

WHAT IS COVERED

Fiberon Fencing is backed by a 15-year limited pro-rated warranty on fence pickets and backer rails. Fence posts are covered by a 10-year limited pro-rated warranty. When installed correctly, your composite fencing is guaranteed to remain free from rot, fungal degradation, checking, splintering and delamination.

Fiberon Fencing is a system of pickets, rails, and posts and must be installed according to guidelines to validate the warranty. Substitution of wood or other materials for any portion of the system will void the warranty.

WHAT IS NOT COVERED

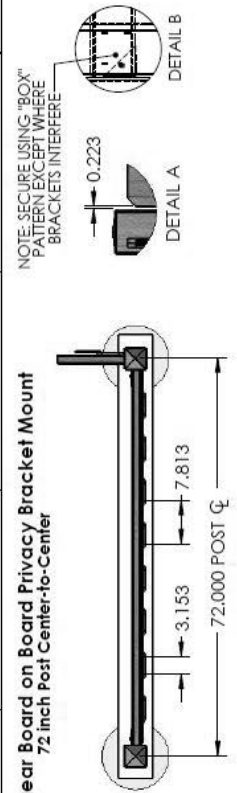
In no event will the manufacturer be liable for any direct, indirect, incidental, special, consequential, punitive, exemplary, statutory, special, or other, damages based upon the manufacturer products or manufacturer fasteners or resulting, directly or indirectly, from any defect in the manufacturer products or fasteners, including but not limited to damage to, diminution in value of and/or loss of use or enjoyment of, any property or part thereof, whether based on contract, tort, strict liability, statute, regulation or otherwise, even if the manufacturer is expressly advised about the possibility of such damages. Some states do not allow the exclusion or limitation of incidental or consequential damages in certain circumstances, so the above limitation may not apply to you.

In addition, this Limited Warranty does not cover and the manufacturer shall not be liable for any installation, removal or reinstallation costs. The manufacturer does not warrant against and is not responsible for, and no express or implied warranty shall be deemed to cover, any condition attributable to: (1) improper installation of products and/or failure to abide by the manufacturer's written instructions and any applicable laws or building codes, including but not limited to improper structural support, fastening, ventilation or gapping; (2) use of the manufacturer's products beyond normal use or in an application not recommended or permitted by the manufacturer's written instructions and applicable laws and building codes; (3) movement, distortion, collapse or settling of the ground or the supporting structure on which the manufacturer's products are installed; (4) Defects in or failure arising from decking structure resulting from water caused by improper installation, workmanship, maintenance or repair; (5) any Act of God (including but not limited to flooding, hurricane, tornado, wind, earthquake, lightning, hail, etc.); (6) discoloration, fading, spotting or staining from or caused, in whole or in part, by mold, mildew, other fungal growth, organic materials, metallic oxides or particles (including but not limited to rust or corrosion of any fasteners), dirt, other atmospheric or environmental pollutants, foreign substances such as grease or oil, chemicals (including but not limited to those found in cleaners), or normal weathering (defined as natural efflorescence, exposure to sunlight, weather and atmospheric conditions which causes any colored surface to gradually fade, flake, chalk, or accumulate dirt or stains); (7) damage resulting from casualty, fire or exposure to heat sources such as cooking devices or retro-reflective surfaces; (8) the application of paints, stains, surface treatments or other chemical substances including but not limited to cleaners or pesticides; (9) fading, flaking or other deterioration of any paints, stains or other coatings placed on the manufacturer's products; (10) climate change, environmental conditions, static electricity or any cause beyond the control of the manufacturer; (11) variations or changes in color of the manufacturer's products; (12) improper handling, maintenance, storage, abuse or neglect of the manufacturer's products by Purchaser or others; (13) ordinary wear and tear; (14) impact from objects; or (15) any fasteners not supplied or approved by the manufacturer.

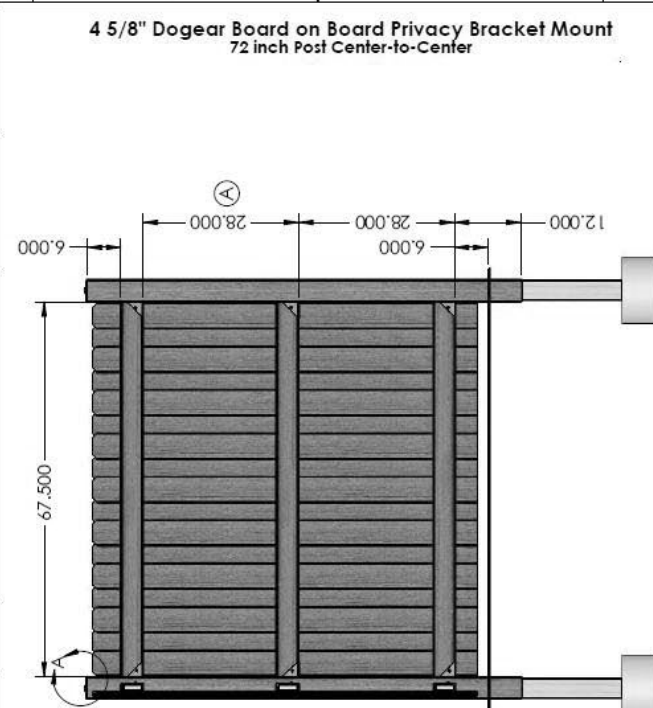
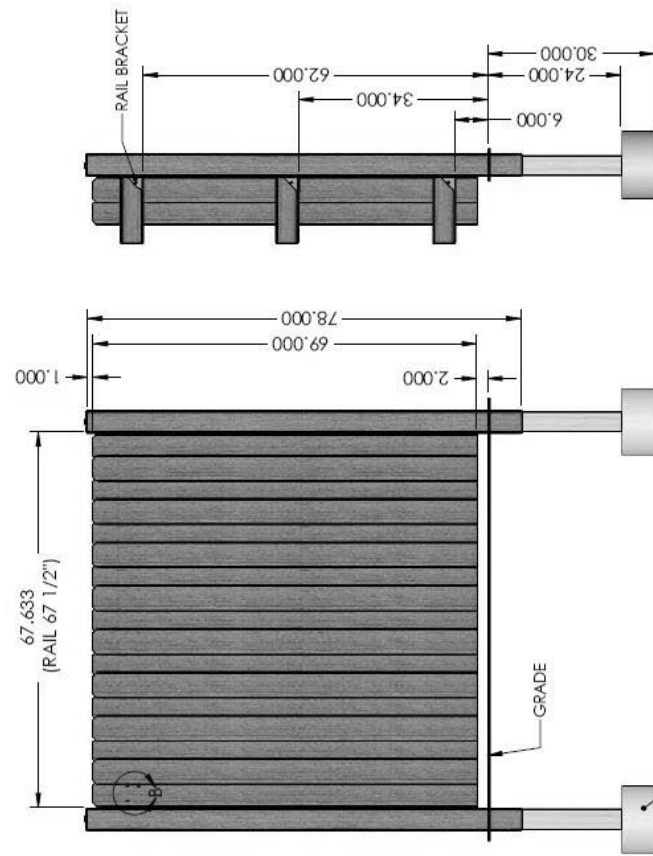
No warranty is given with respect to any fasteners other than the fasteners produced by the manufacturer. Other fasteners, whether approved fasteners or otherwise, are subject to only the warranties provided by the manufacturer of the fastener and Purchaser's sole warranty and remedy is with that manufacturer.

Contact the Customer Service Team at 1-800-215-2740 or visit www.FIBERONFENCING.com.

**4 5/8" Dogear Board on Board Privacy Bracket Mount
72 inch Post Center-to-Center**



ZONE	REV.	DESCRIPTION	DATE	APPROVED
	A	CORRECTED RAIL LOCATIONS TO MATCH INSTALLATION TEMPLATE	2/28/2014	RL
	B	GRAPHIC CHANGES	3/20/2014	RL
	C	GRAPHIC CHANGES	3/25/2014	RL



**4 5/8" Dogear Board on Board Privacy Bracket Mount
72 inch Post Center-to-Center**

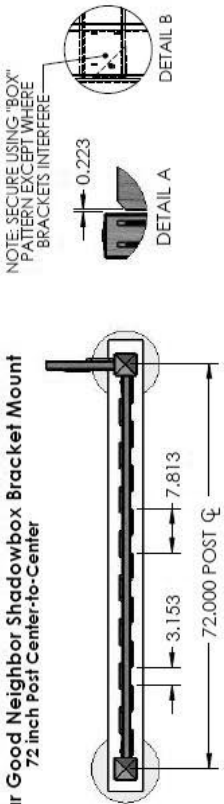
UNLESS OTHERWISE SPECIFIED:		NAME	DATE
DIMENSIONS ARE IN INCHES			1/14/14
TOLERANCES:		DRAWN	
±		BY APPROVED	
ANGULAR MATCH:	BEND ±	ENG. APPROVED	
TWO PLACE DECIMAL	±	MG. APPROVED	
THREE PLACE DECIMAL	±	G.A. APPROVED	
INTERFERE GEOMETRIC		COMMENTS:	
TOLERANCE PER MATERIAL			
FINISH:			

DO NOT SCALE DRAWING

INCREASING AND CONGRUOUS		TITLE:	
THE INFORMATION CONTAINED IN THIS DRAWING IS THE SOLE PROPERTY OF THE COMPANY AND IS NOT TO BE REPRODUCED OR TRANSMITTED IN ANY FORM OR BY ANY MEANS, ELECTRONIC OR MECHANICAL, INCLUDING PHOTOCOPYING, RECORDING, OR BY ANY INFORMATION STORAGE AND RETRIEVAL SYSTEM, WITHOUT THE WRITTEN PERMISSION OF THE COMPANY'S LEGAL DEPARTMENT.		FENCE 2014:	
		Dogear Board on Board Privacy Bracket Mount SYSTEM 10	
SIZE	DWG. NO.	REV	C
B			
SCALE: VARIET		SHEET 1 OF 1	

NOTE: STANDARD BOARD ON BOARDS 17 PICKETS PER SECTION; 9 IN THE BACK ROW; 8 IN THE FRONT - BOTH ROWS ON THE SAME SIDE OF THE CROSS RAILS. TO INCREASE OVERLAP, YOU CAN GO TO 19 PICKETS (10/9) OR 21 PICKETS (11/10) BY REDUCING SPACIES.

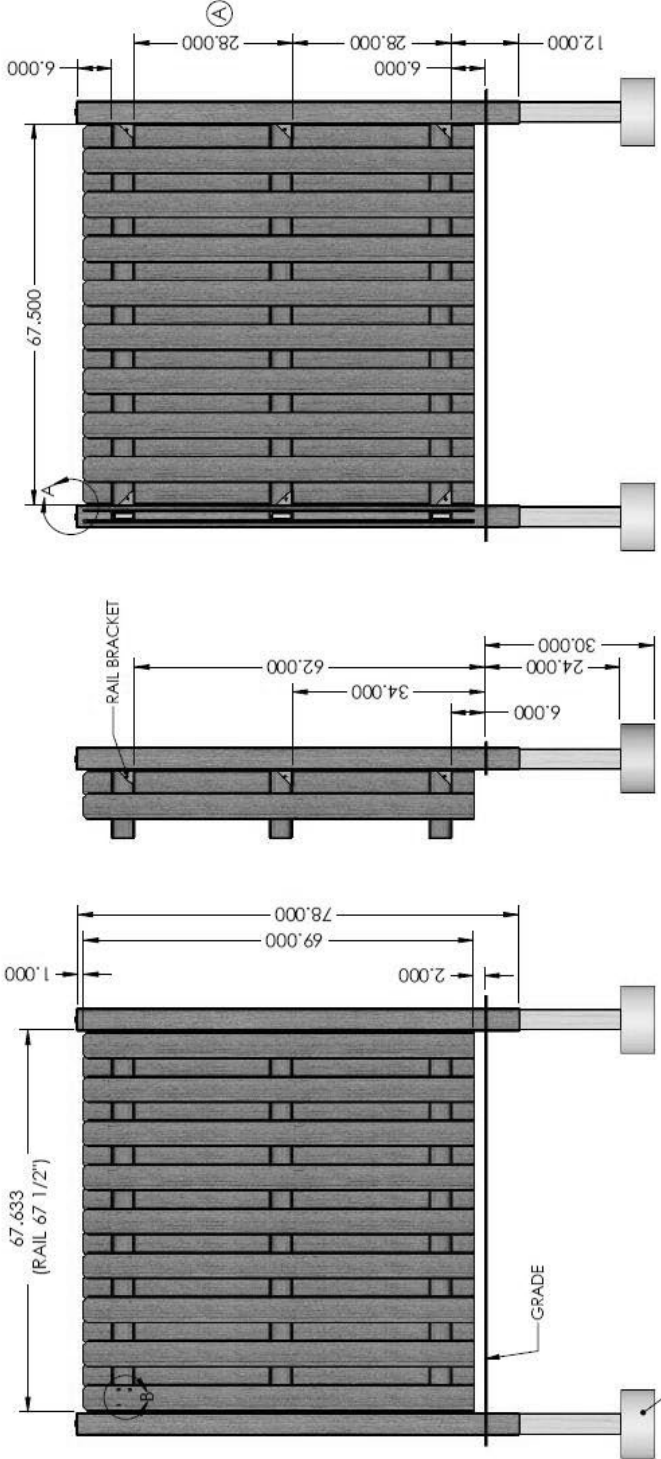
4 5/8" Dogear Good Neighbor Shadowbox Bracket Mount
72 inch Post Center-to-Center



REVISIONS

ZONE	REV.	DESCRIPTION	DATE	APPROVED
	A	CORRECTED RAIL LOCATIONS TO MATCH INSTALLATION TEMPLATE	2/28/2014	RL
	B	GRAPHIC CHANGES	3/20/2014	RL
	C	GRAPHIC CHANGES	3/25/2014	RL

4 5/8" Dogear Good Neighbor Shadowbox Bracket Mount
72 inch Post Center-to-Center

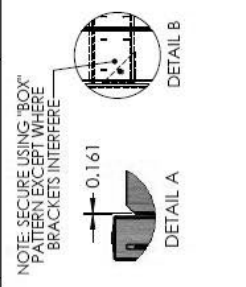


NOTE: STANDARD SHADOWBOX IS 17 PICKET, 9 ON THE FRONT, 8 ON THE BACK. TO REDUCE SPACING AND TIGHTEN VIEW, ADD PICKETS AS DESIRED (9/9, 10/9, OR 10/10).

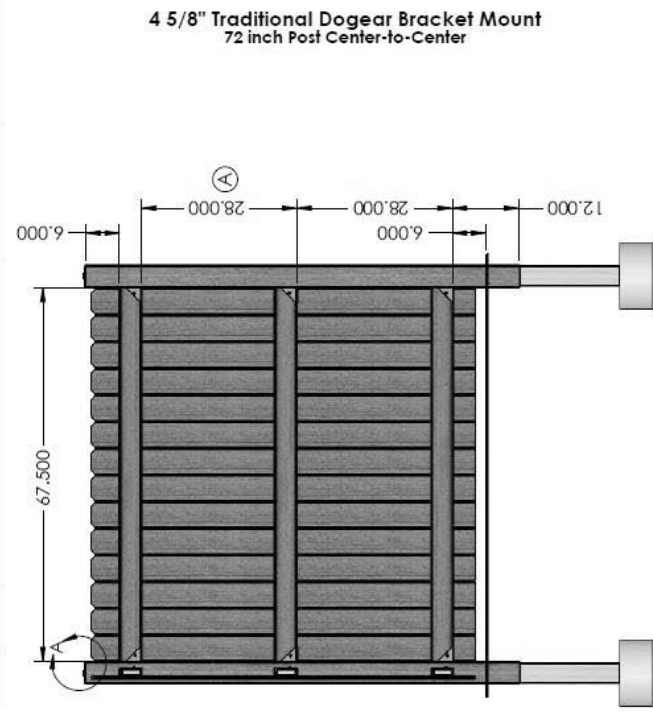
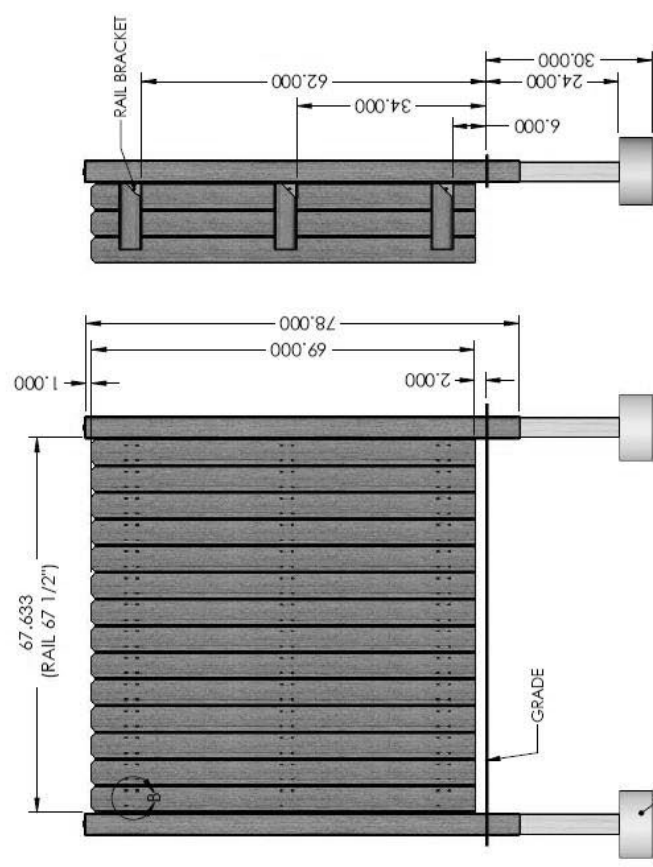
UNLESS OTHERWISE SPECIFIED:		PROPERTY AND COPYRIGHT	
DIMENSIONS ARE IN INCHES	NAME	DATE	1/14/14
TOLERANCES:	DESIGNED BY	DATE	
FRACTIONAL: 1/16	RED APPROVED		
DECIMAL: 0.0005	ENG APPROVED		
THREE PLACE DECIMAL: 0.001	MFG APPROVED		
INTERFEROMETRIC FINISH	Q.A. APPROVED		
MATERIAL	COMMENTS:		
FINISH			
DO NOT SCALE DRAWING			

TITLE:		FEICE 2014
Dogear Good Neighbor Shadowbox Bracket Mount		
SIZE	DWG. NO.	REV
B		C
SCALE VARIES	WEIGHT:	SHEET 1 OF 1

**4 5/8" Traditional Dogear Bracket Mount
72 inch Post Center-to-Center**



REVISIONS				
ZONE	REV.	DESCRIPTION	DATE	APPROVED
	A	CORRECTED RAIL LOCATIONS TO MATCH INSTALLATION TEMPLATE	2/28/2014	RL
	B	GRAPHIC CHANGES	3/20/2014	RL
	C	GRAPHIC CHANGES	3/25/2014	RL



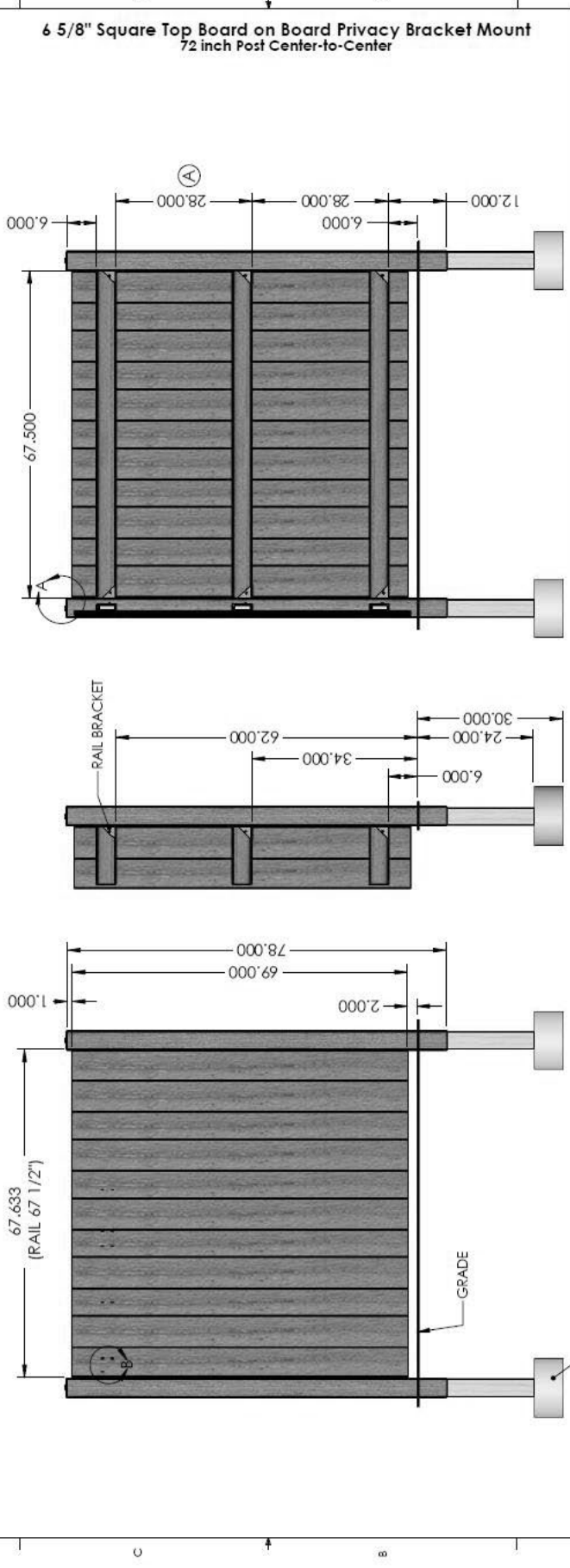
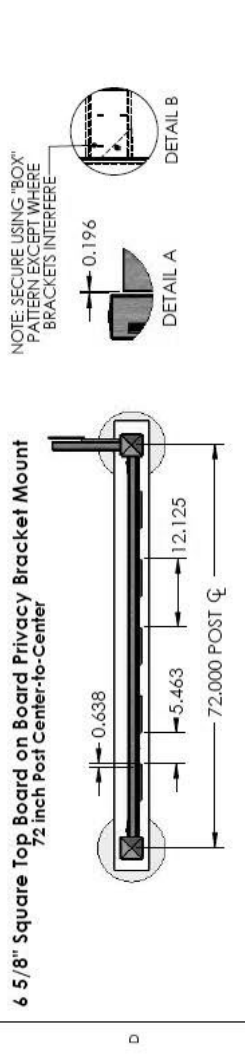
UNLESS OTHERWISE SPECIFIED:		DRAWN		DATE	
DIMENSIONS ARE IN INCHES		R. JAPPIN		1/7/14	
FRACTIONAL		REG. APPROVED		TITLE:	
ANGULAR MATCH: BEND ±		ENG. APPROVED		Traditional Dogear Bracket Mount	
TWO PLACE DECIMAL		MFG. APPROVED		SYSTEM 2	
THREE PLACE DECIMAL ±		O.A. APPROVED		SIZE DWG. NO. B	
INFERRED GEOMETRIC TOLERANCING PER MATERIAL		COMMENTS:		REV C	
FINISH				SCALE: VARIES	
DO NOT SCALE DRAWING				SHEET 1 OF 1	

PROPERTY AND CONFIDENTIAL INFORMATION. NOT TO BE REPRODUCED OR TRANSMITTED IN ANY FORM OR BY ANY MEANS WITHOUT THE WRITTEN PERMISSION OF THE COMPANY. SEE WEBSITE FOR MORE INFORMATION.

FEINCE 2014

1 2 3 4 5 6 7 8

ZONE	REV.	DESCRIPTION	DATE	APPROVED
	A	CORRECTED RAIL LOCATIONS TO MATCH INSTALLATION TEMPLATE	2/28/2014	RL
	B	GRAPHIC CHANGES	3/20/2014	RL
	C	GRAPHIC CHANGES	3/25/2014	RL



6 5/8" Square Top Board on Board Privacy Bracket Mount
72 inch Post Center-to-Center

UNLESS OTHERWISE SPECIFIED:
DIMENSIONS ARE IN INCHES
TOLERANCES:
FRACTIONAL: ± 1/16"
DECIMAL: ± 0.015"
THREE PLACE DECIMAL: ± 0.005"
FOUR PLACE DECIMAL: ± 0.0015"

REVISIONS:
DRAWN: []
FIELD APPROVED: []
ENG APPROVED: []
MFG APPROVED: []
G.A. APPROVED: []
MATERIAL: []
FINISH: []

DATE: 1/14/14
NAME: []
FLAPPS: []

PROJECT: []
TITLE: **Square Top Board on Board Privacy Bracket Mount SYSTEM 12**
FEICE 2014

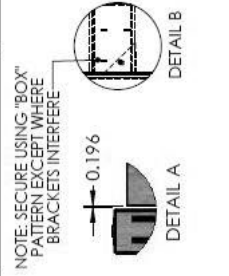
SIZE: DWG. NO. []
REV: **C**

SCALE: VARIES
WEIGHT: []
SHEET 1 OF 1

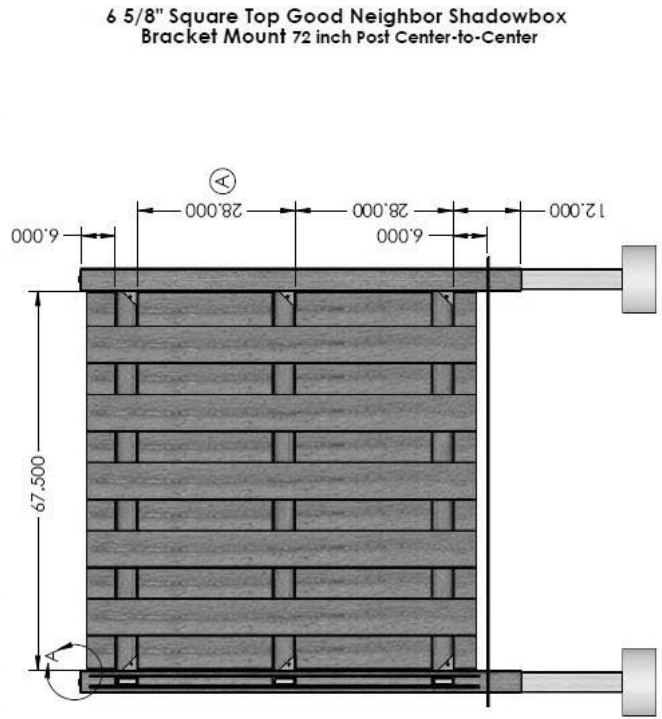
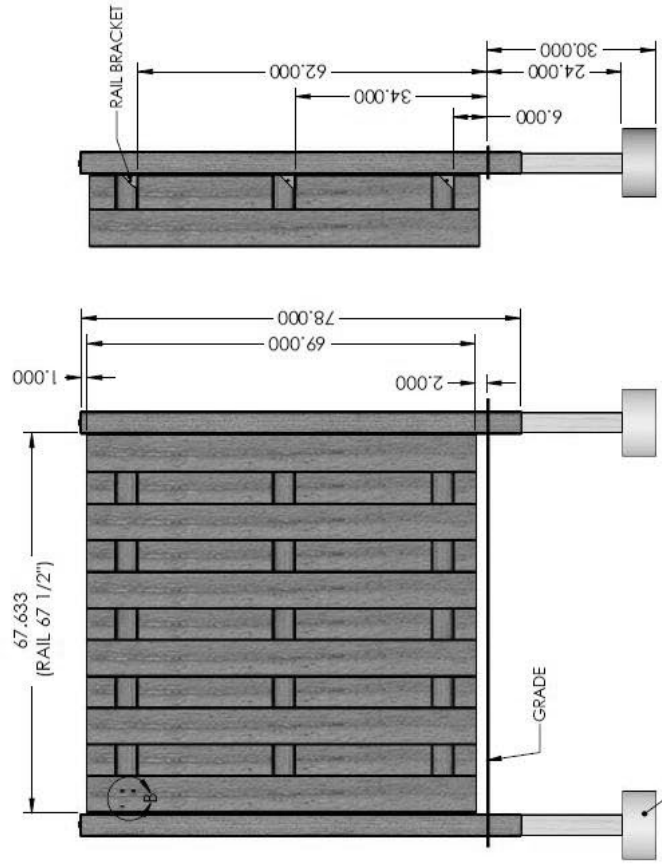
DO NOT SCALE DRAWING

NOTE: STANDARD BOARD ON BOARD IS 13 PICKETS PER SECTION, 7 IN THE BACK ROW, 6 IN THE FRONT - BOTH ROWS ON THE SAME SIDE OF THE CROSS RAILS. MAY VARY WITH SPACING. RECOMMEND COVERING ALL CROSS RAIL SEAMS WITH PICKETS FOR BEST APPEARANCE.

6 5/8" Square Top Good Neighbor Shadowbox Bracket Mount 72 inch Post Center-to-Center



ZONE	REV.	DESCRIPTION	DATE	APPROVED
	A	CORRECTED RAIL LOCATIONS TO MATCH INSTALLATION TEMPLATE	2/28/2014	RL
	B	GRAPHIC CHANGES	3/20/2014	RL
	C	GRAPHIC CHANGES	3/25/2014	RL



6 5/8" Square Top Good Neighbor Shadowbox Bracket Mount 72 inch Post Center-to-Center

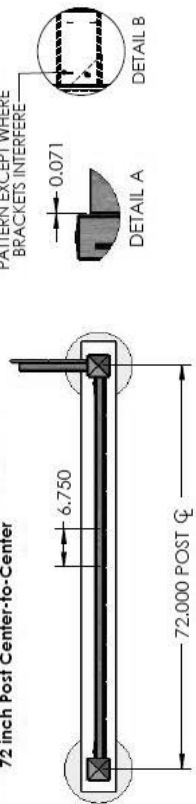
UNLESS OTHERWISE SPECIFIED:	NAME	DATE	PROPRIETARY AND CONFIDENTIAL
DIMENSIONS ARE IN INCHES	DRAWN	1/14/14	THE INFORMATION CONTAINED HEREIN IS PROPRIETARY AND CONFIDENTIAL AND IS TO BE USED ONLY FOR THE PROJECT AND SITE SPECIFICALLY IDENTIFIED IN THE TITLE OF THIS DRAWING. NO PART OF THIS DRAWING IS TO BE REPRODUCED OR TRANSMITTED IN ANY FORM OR BY ANY MEANS WITHOUT THE WRITTEN PERMISSION OF THE OWNER.
TOLERANCES:	APP'N		
FRACTIONAL: 1/16	ENG APPROVED		
ANGULAR: MATCH: BEND 1/4	MFG APPROVED		
THREE PLACE DECIMAL	C.A. APPROVED		
INTERFERE GEOMETRIC	COMMENTS:		
CONFLICTING P.S.			
MATERIAL:			
FINISH:			
DO NOT SCALE DRAWING			

TITLE:	FEICE 2014
SIZE	DWG. NO.
SCALE	VARIABLE
REV	C
SHEET	1 OF 1

NOTE: STANDARD SHADOWBOX IS 13 PICKETS PER SECTION, 7 IN THE BACK ROW, 6 IN THE FRONT. MAY VARY WITH SPACING. TO TIGHTEN VIEW, ADD PICKETS AS DESIRED.

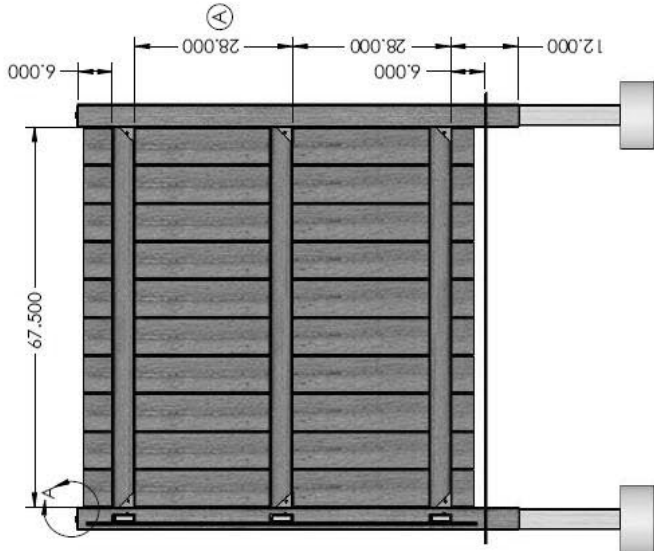
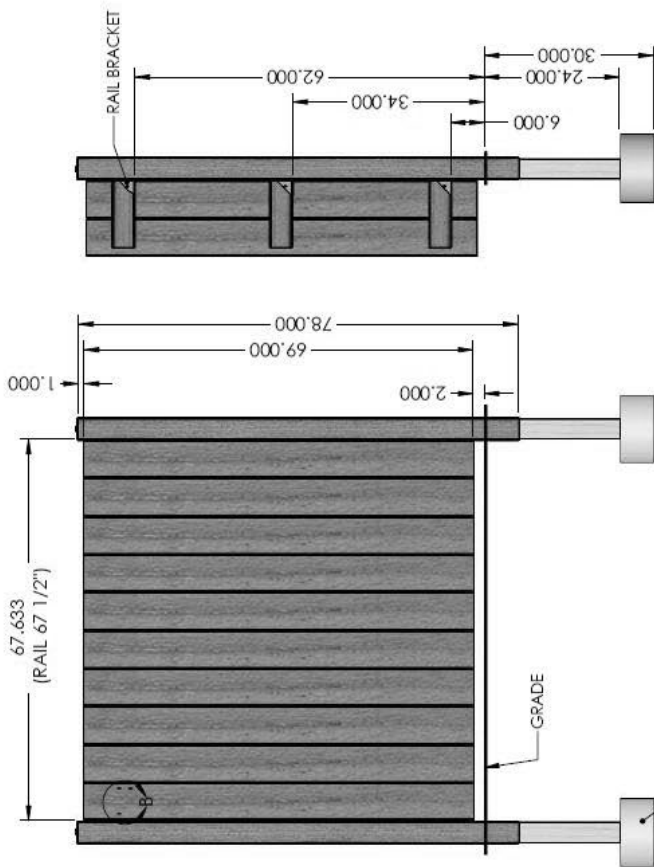
**6 5/8" Traditional Square Top Bracket Mount
72 inch Post Center-to-Center**

NOTE: SECURE USING "BOX" PATTERN EXCEPT WHERE BRACKETS INTERFERE



REVISIONS

ZONE	REV.	DESCRIPTION	DATE	APPROVED
	A	CORRECTED RAIL LOCATIONS TO MATCH INSTALLATION TEMPLATE	2/28/2014	RL
	B	GRAPHIC CHANGES	3/20/2014	RL
	C	GRAPHIC CHANGES	3/25/2014	RL



**6 5/8" Traditional Square Top Bracket Mount
72 inch Post Center-to-Center**

UNLESS OTHERWISE SPECIFIED:	NAME	DATE	REVISIONS
DIMENSIONS ARE IN INCHES	R. LAPPIN	1/14/14	
DECIMALS: 1/16			
ANGULAR: MACH: BEND: ±			
TWO PLACE DECIMAL			
THREE PLACE DECIMAL			
TOLERANCE: ±			
INTERFERE GEOMETRIC			
TOLERANCE: ±			
MATERIAL			
FINISH			
DO NOT SCALE DRAWING			

FRAGILE AND COMBUSTIBLE	TITLE	FEINCE 2014:
THIS INFORMATION CONTAINED IN THIS DRAWING IS THE SOLE PROPERTY OF THE COMPANY AND IS NOT TO BE REPRODUCED OR TRANSMITTED IN ANY FORM OR BY ANY MEANS, ELECTRONIC OR MECHANICAL, INCLUDING PHOTOCOPYING, RECORDING, OR BY ANY INFORMATION STORAGE AND RETRIEVAL SYSTEM.	Traditional Square Top Bracket Mount SYSTEM 4	
SIZE	DWG. NO.	REV
B		C

SCALE: VARIES	SHEET 1 OF 1

NOTE: MAY VARY WITH ACTUAL SPACING DIMENSIONS.