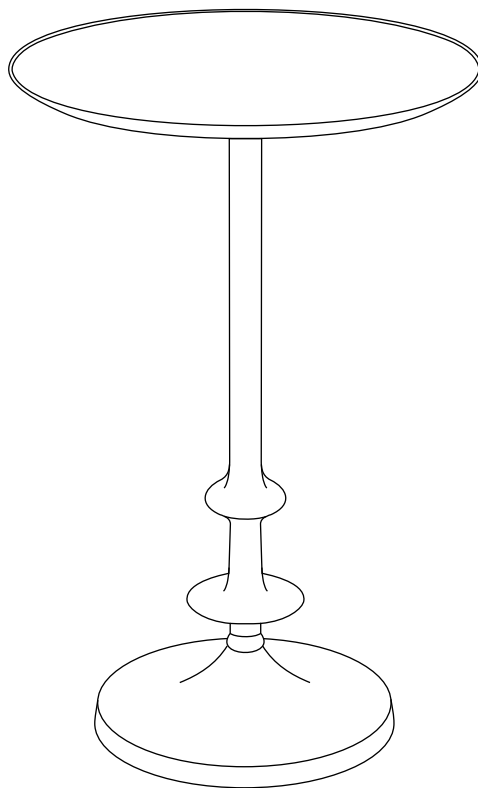


USE AND CARE GUIDE

METAL TURNED ACCENT TABLE WITH DARK BRONZE FINISH



Questions, problems, missing parts? Before returning to the store,
call Home Decorators Collection Customer Service.
8 a.m. - 7 p.m., EST, Monday - Friday, 9 a.m. - 6 p.m., EST, Saturday

1-800-998-7021

HOMEDEPOT.COM/HOMEDECORATORS

THANK YOU

We appreciate the trust and confidence you have placed in Home Decorators Collection through the purchase of Metal Turned Accent Table With Dark Bronze Finish. We strive to continually create quality products designed to enhance your home. Visit us online to see our full line of products available for your home improvement needs. Thank you for choosing Home Decorators Collection!

Table of Contents

Table of Contents	2	Pre-assembly	3
Safety Information	2	Package Contents	3
Warranty	2	Assembly	4
3 Year Warranty.....	2	Maintenance	5
What is Covered.....	2	Care and Cleaning	5
What is Not Covered.....	2		

Safety Information

DANGER

- Keep small parts away from children during assembly.
- Read and follow instructions carefully.

WARNING

- Read these instructions carefully and keep in a safe place.
- TO GUARANTEE THE SAFE USE OF THIS PRODUCT, FOLLOW THE WARNINGS, GUIDELINES AND RECOMMENDATIONS IN THIS MANUAL.
- Adult assembly required.
- Small parts may present choking hazard prior to assembly.

CAUTION

- Do not use power tools to assemble your furniture.
- Power tools may strip or damage parts/product.
- Do not overtighten connectors (screws, bolts, etc.). Overtightening can lead to product damage.
- Be sure to check all packing materials carefully for small parts that may have come loose inside the carton during shipment. If parts are missing, contact THE HOME DEPOT to obtain any missing parts.
- DO NOT USE SUBSTITUTE PARTS.
- This product should only be used on a flat, level surface.

Warranty

3 YEAR WARRANTY

WHAT IS COVERED

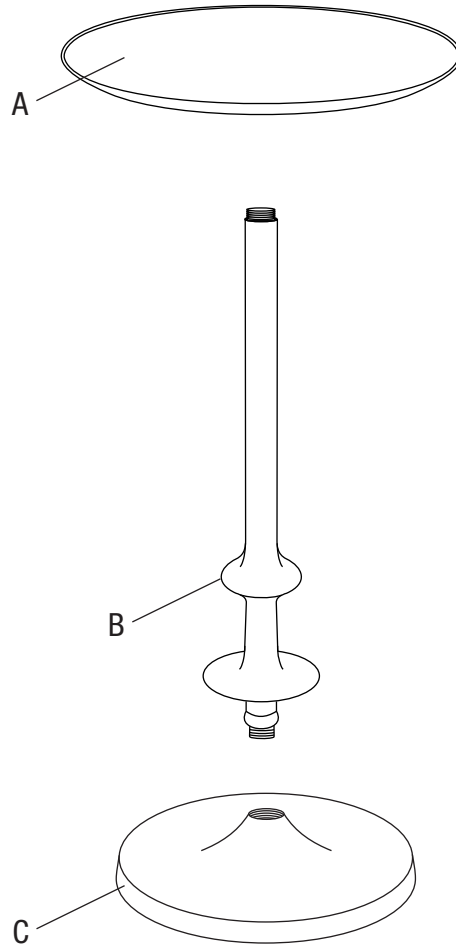
We guarantee this product to be free of manufacturing defects to the original purchaser for three years.

WHAT IS NOT COVERED

This warranty does not cover commercial use, acts of nature, and abusive use.

Pre-assembly (continued)

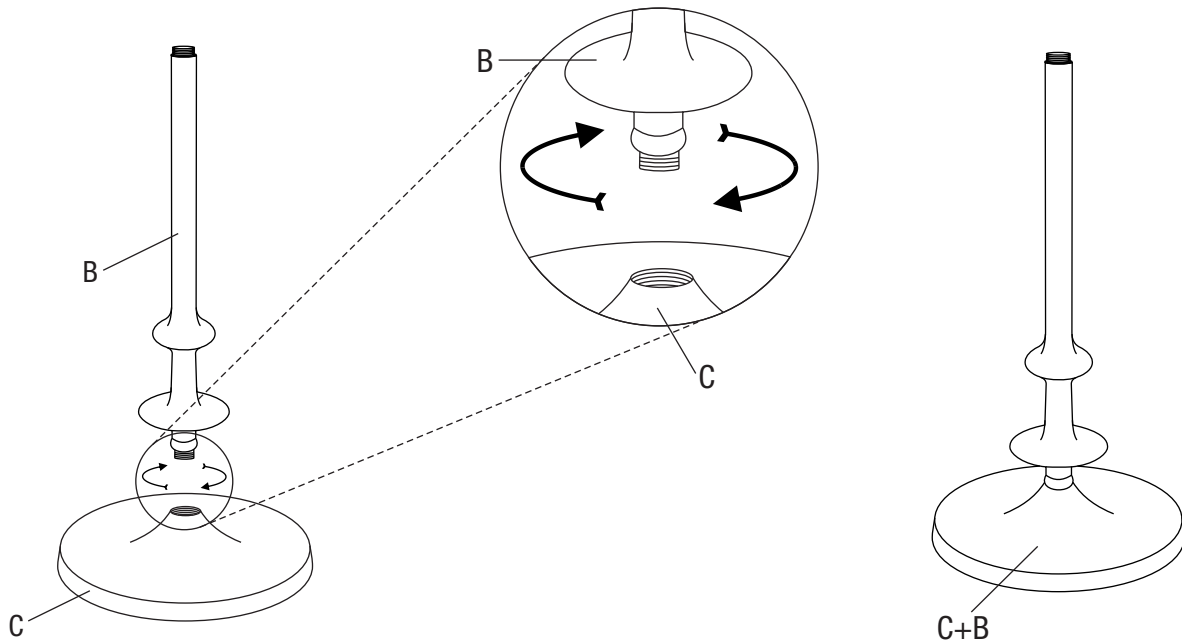
PACKAGE CONTENTS



Part	Part Description	Quantity
A	Top	01
B	Center Pipe	01
C	Base	01

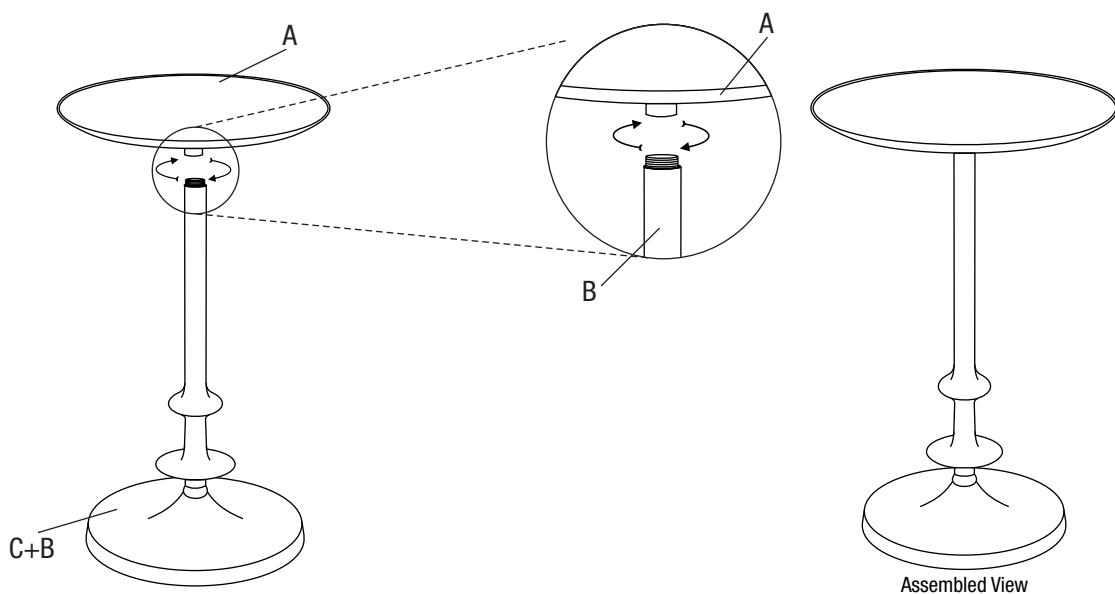
1 Install The Center Pipe On The Base

- Place the base (C) on the floor.
- Rotate the center pipe (B) clockwise align of the base and fully tightening the center pipe (B). As shown below in the drawing.



2 Install The Top On The Center Pipe

- Install the top (A) and rotate the top (A) clockwise align hole of the center pipe and fully tightening the top (A). As shown below in the drawing.
- Product assembly is complete and product is ready to use.



Maintenance

- Keep the product away from heat & sunlight.
- Prolonged exposure to heat sources may cause scorching, or even cause color to fade.
- Regular vacuuming and light brushing helps to remove dirt and prevent soil buildup, which increases the appearance of wear.
- Periodically (every 90 days), make sure that the top and base threads are fully tightened.

Care and Cleaning

- Vacuum your product regularly. Small dust particles are very abrasive and can wear furniture prematurely.
- Never use harsh chemicals or solvents on your products, as this may damage the metal.
- Marks and stain from pens, crayons, and ink markers are difficult to remove. In the event your product became permanently stained, we recommend that you consult a professional.

**HOME
DECORATORS
COLLECTION®**

**Questions, problems, missing parts?
Before returning to the store, call Home Decorators Collection Customer Service.
8 a.m. – 7 p.m., EST, Monday – Friday, 9 a.m. – 6 p.m., EST, Saturday**

1-800-998-7021

HOMEDEPOT.COM/HOMEDECORATORS

Retain this manual for future use.