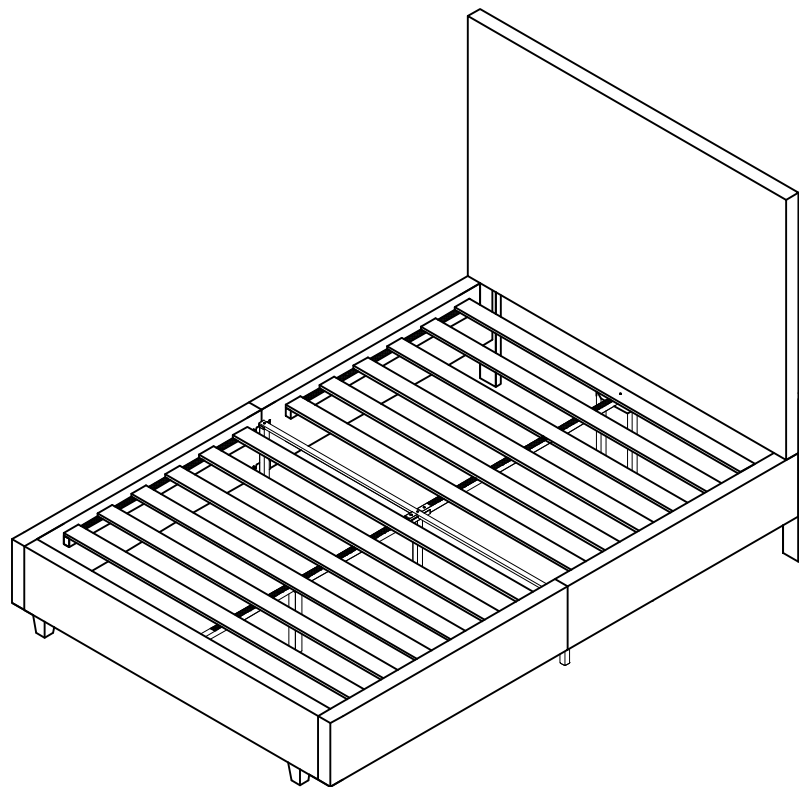


## USE AND CARE GUIDE

### HDC Biscuit/Charcoal Upholstery Platform Queen/King Bed B270-Q/K with Square back



**Questions, problems, missing parts? Before returning to the store,  
call Home Decorators Collection Customer Service.  
8 a.m. – 7 p.m., EST, Monday – Friday, 9 a.m. – 6 p.m., EST, Saturday**

**1-800-986-3460**

**[Homedepot.com/HOMEDECORATORS](http://Homedepot.com/HOMEDECORATORS)**

---

*THANK YOU*

*We appreciate the trust and confidence you have placed in Home Decorators Collection through the purchase of this Biscuit/Charcoal Upholstery Platform Queen/King Bed with Square back. We strive to continually create quality products designed to enhance your home. Visit us online to see our full line of products available for your home improvement needs. Thank you for choosing Home Decorators Collection!*

# Table of Contents

Table of Contents .....	2	Tools Required .....	3
Safety Information .....	2	Hardware Included .....	3
Warranty .....	2	Pre-assembly (continued) .....	4
3 Years Warranty .....	2	Package Contents .....	4
What is Covered .....	2	Assembly .....	5
What is Not Covered .....	2	Maintenance .....	14
Pre-assembly .....	3	Care and Cleaning .....	14
Planning Assembly .....	3		

## Safety Information



### DANGER

- Keep small parts away from children during assembly.
- Read and follow instructions carefully.



### WARNING

- TO GUARANTEE THE SAFE USE OF THIS PRODUCT, FOLLOW THE WARNINGS, GUIDELINES AND RECOMMENDATIONS IN THIS MANUAL.
- Adult assembly required.
- Small parts may present choking hazard prior to assembly.



### CAUTION

- Do not use power tools to assemble your furniture. Power tools may strip or damage parts/product.
- Do not overtighten connectors (screws, bolts, etc.). Overtightening can lead to product damage.
- Be sure to check all packing materials carefully for small parts that may have come loose inside the carton during shipment. If parts are missing, contact THE HOME DEPOT to obtain any missing parts.
- DO NOT USE SUBSTITUTE PARTS.
- This product should only be used on a flat, level surface.
- Read these instructions carefully and retain them for future use. If this product is passed to a third party, then these instructions must be included.
- Assembly requires two people; assembly alone may cause injury.
- Before using the product be sure that it is completely and properly assembled.
- During assembly children should be kept away from the product to avoid possible risk of injury.
- Regularly check screws to ensure they are tightened securely .

## Warranty

### 3 YEARS WARRANTY

#### WHAT IS COVERED

We guarantee this product to be free of manufacturing defects to the original purchaser for three years.

#### WHAT IS NOT COVERED

This warranty does not cover commercial use, acts of nature, and abusive use.

# Pre-assembly

## PLANNING ASSEMBLY

- Remove all Packaging materials , staples and packing straps from the carton .
- Refer to Parts List and Hardware List , and ensure parts and hardware are correct before assembly .
- Contact customer service for missing parts .
- Place all wooden parts on a clean , flat , and soft surface (e.g.carpet or rug) to prevent scratch and damage to parts .

## TOOLS REQUIRED

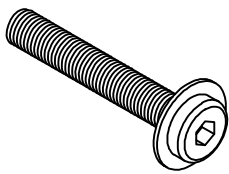


Safety goggles

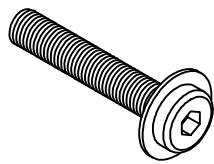


Level

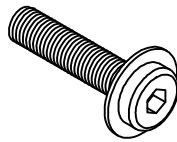
## HARDWARE INCLUDED



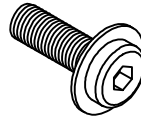
AA



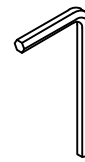
BB



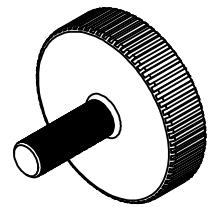
CC



DD



EE

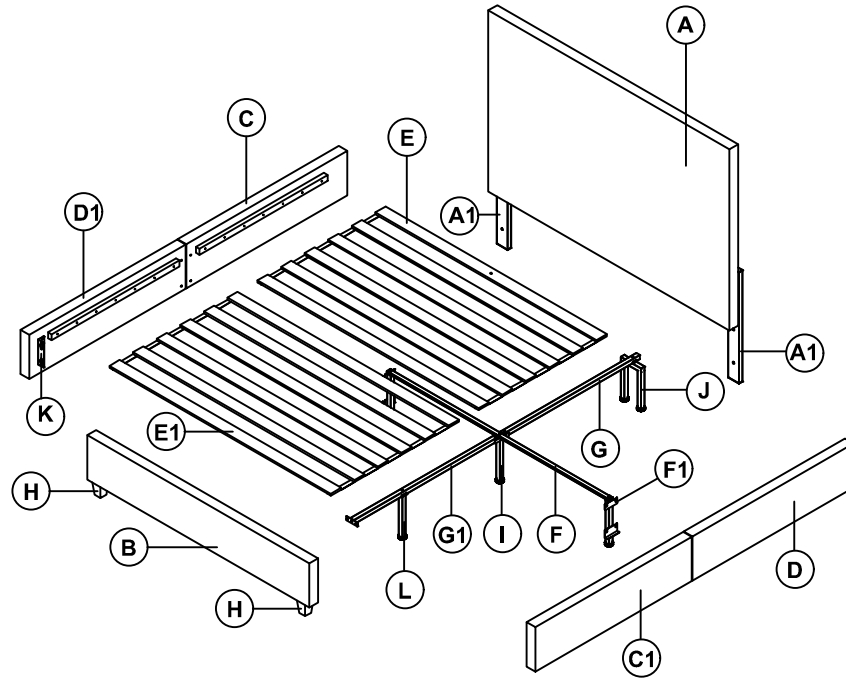


HH

Part	Description	Quantity
AA	Screws	4
BB	Screws	8
CC	Screws	5
DD	Screws	18
EE	Allen Key	1
HH	Adjustable Levers	6

## Pre-assembly (continued)

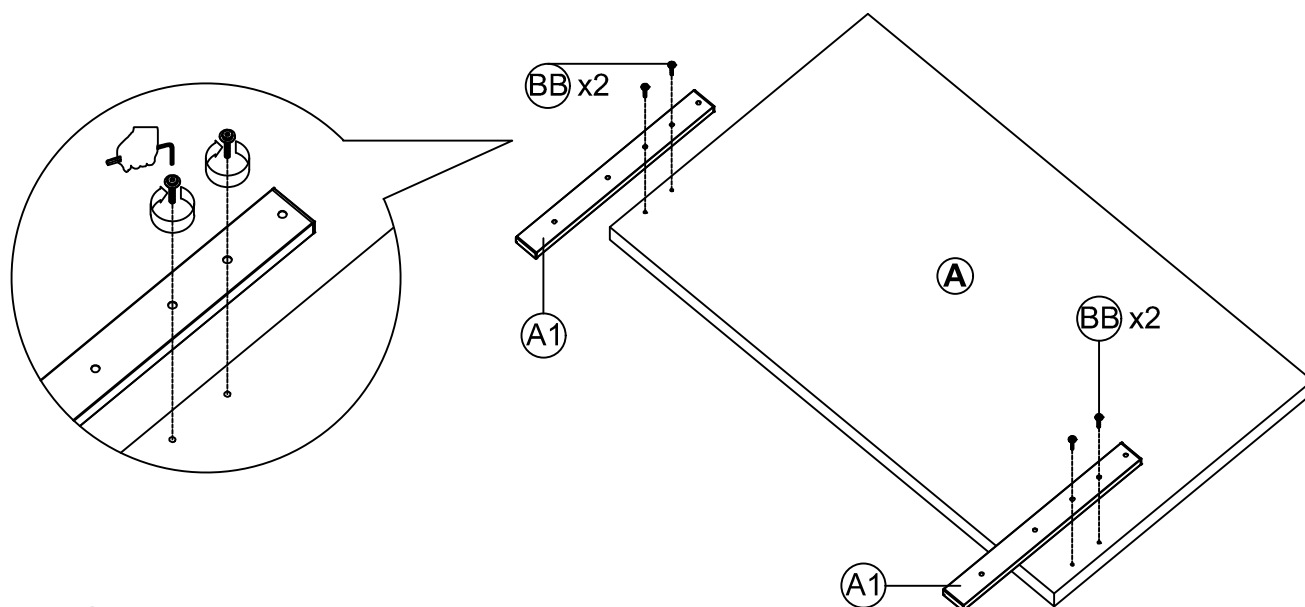
### PACKAGE CONTENTS



Part	Description	Quantity
A	Headboard	1
A1	Metal legs	2
B	Footboard	1
C	Bed frame	1
C1	Bed frame	1
D	Bed frame	1
D1	Bed frame	1
E	Wood slats	1
E1	Wood slats	1
F	Horizontal metal support	1
F1	Metal legs	2
G	Middle metal support	1
G1	Middle metal support	1
H	Wood legs	2
I	Metal legs	1
J	Metal legs	1
K	Corner code	2
L	Metal legs	1

# Assembly

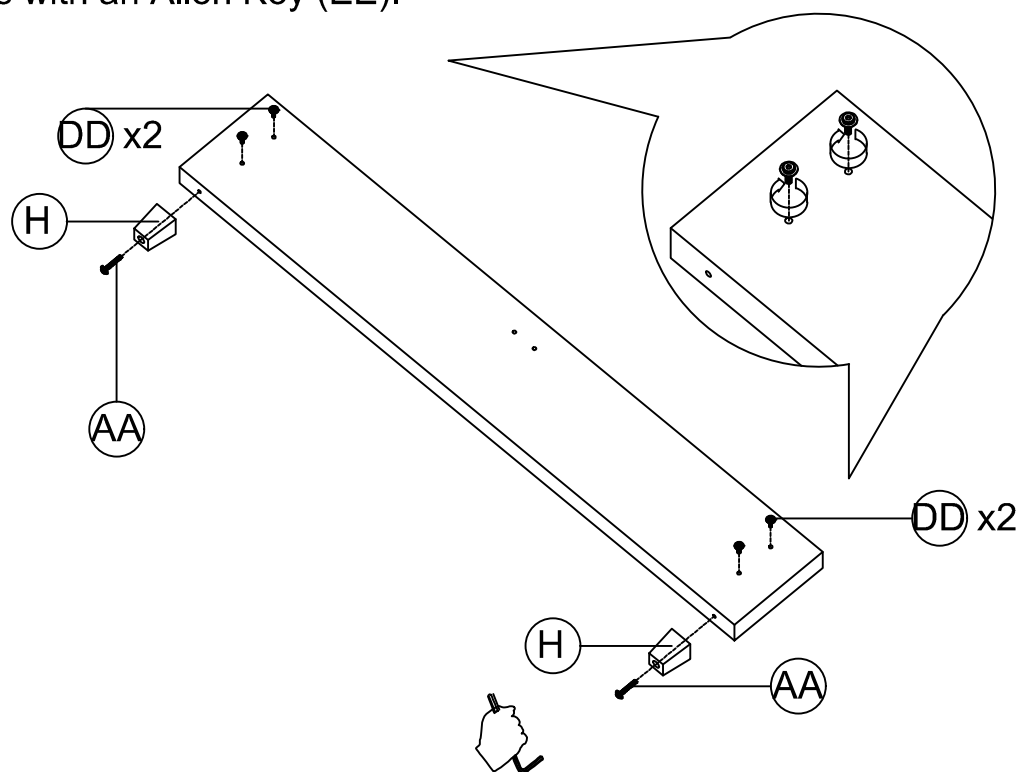
- 1 Connect the metal legs (A1) and the headboard (A) with screws (BB) and tighten the screws with an Allen Key (EE).



**ATTENTION!**

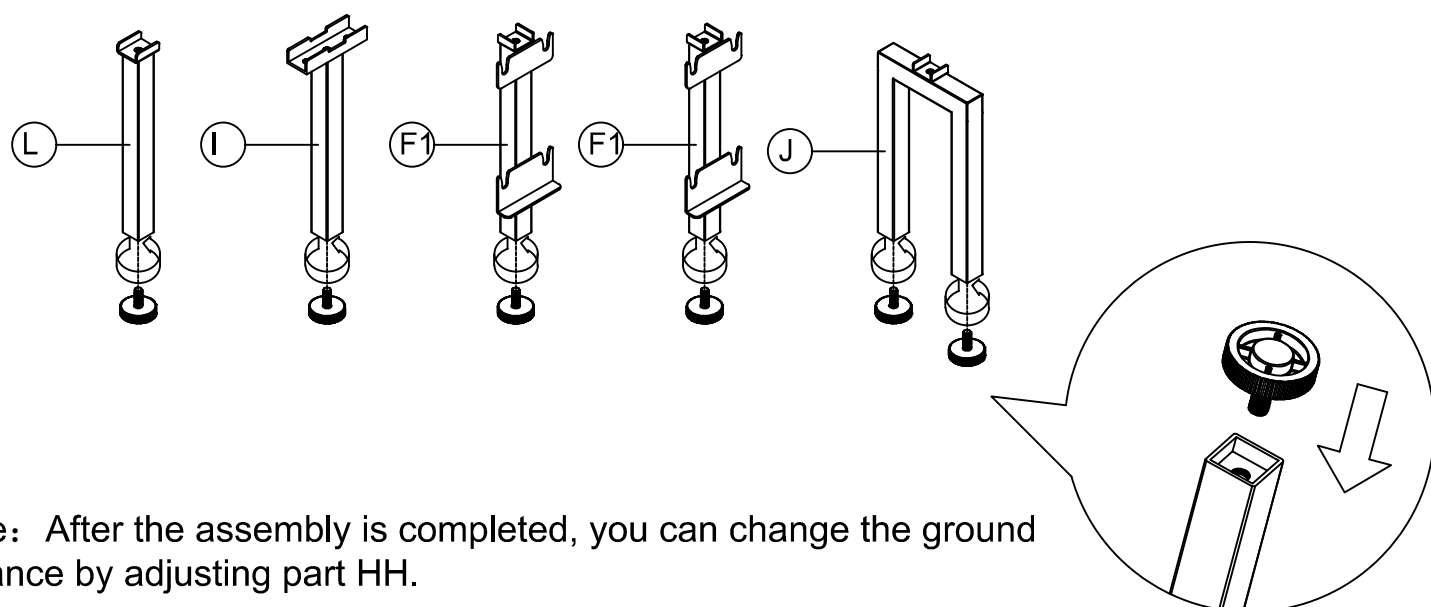
The height of headboard is adjustable by screwing to different holes.

- 2 Connect the wood legs (H) and the footboard (B) with screws (AA) and tighten the screws with an Allen Key (EE).



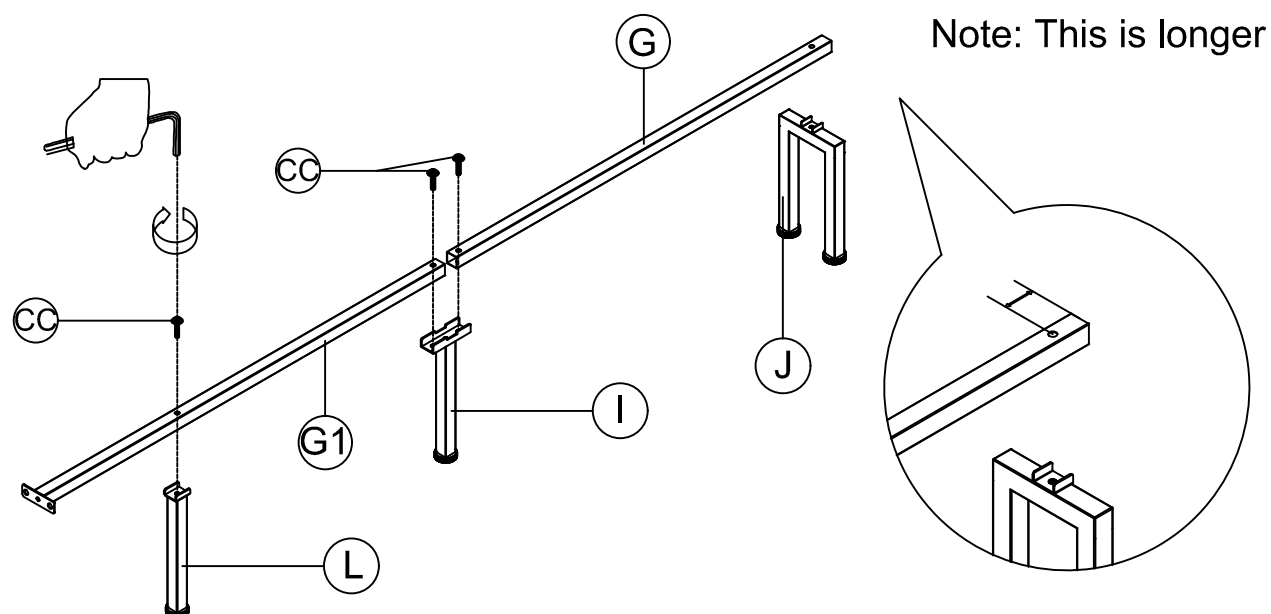
## Assembly

- 3 Screw the adjustable levers ( HH ) into each metal legs ( L&I&J&F1 ) separately.



Notice: After the assembly is completed, you can change the ground clearance by adjusting part HH.

4

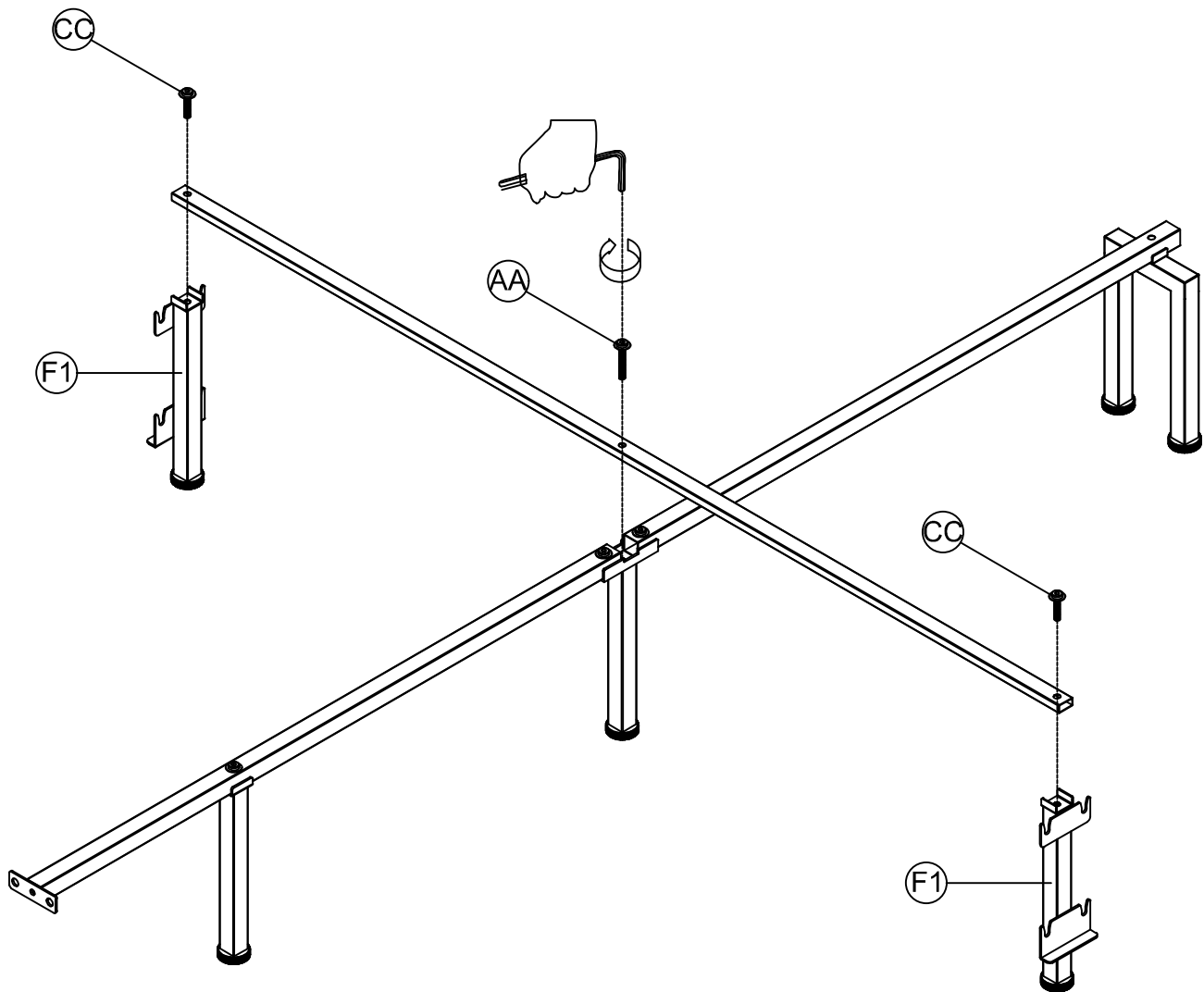


### ATTENTION!

The hole positions at both ends of the metal middle bar (G) are asymmetric, and the hole position close to the edge shall be connected with the metal legs (I).

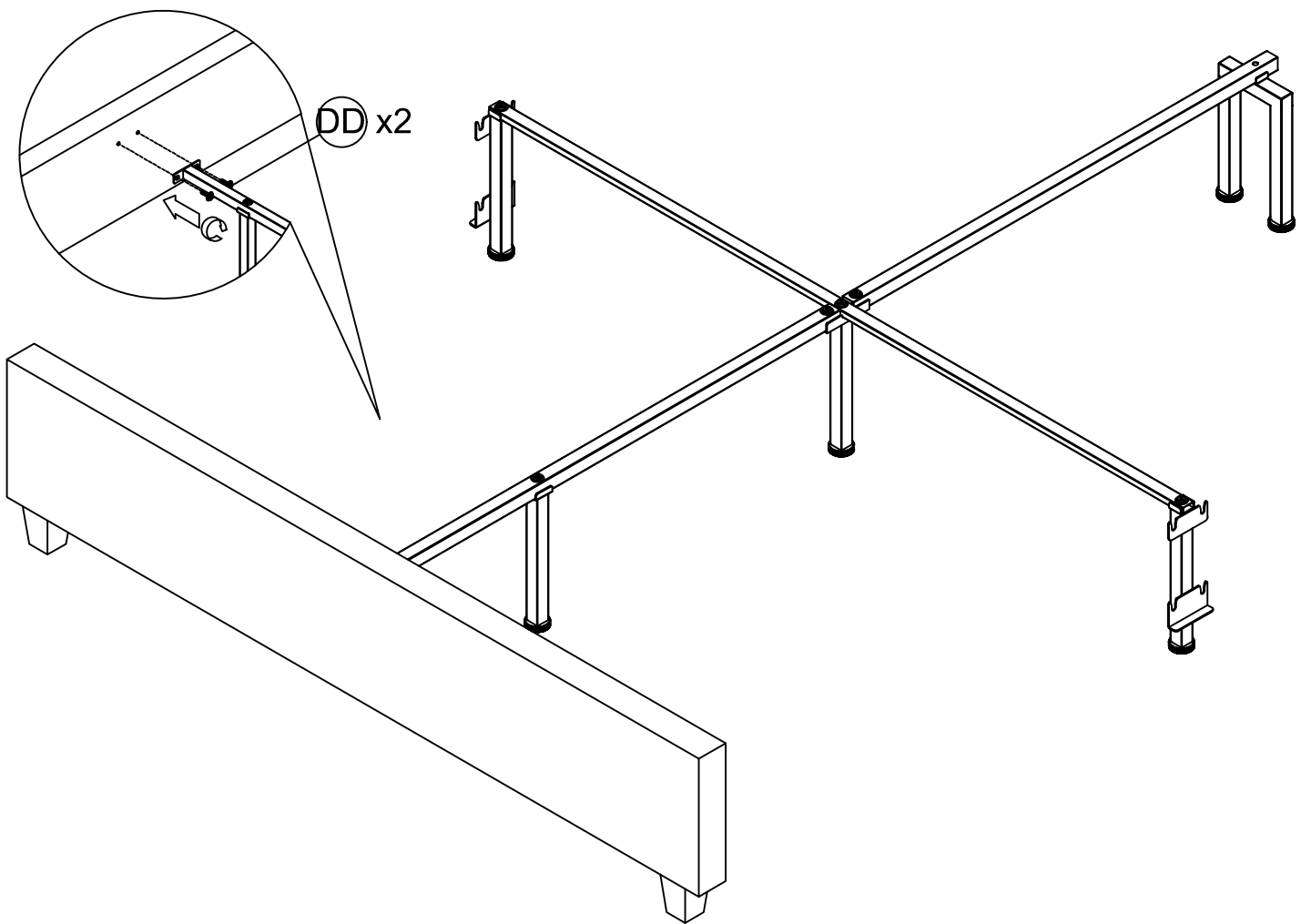
## Assembly

- 5 Use screws and Allen Key to connect metal support and metal legs.



## Assembly

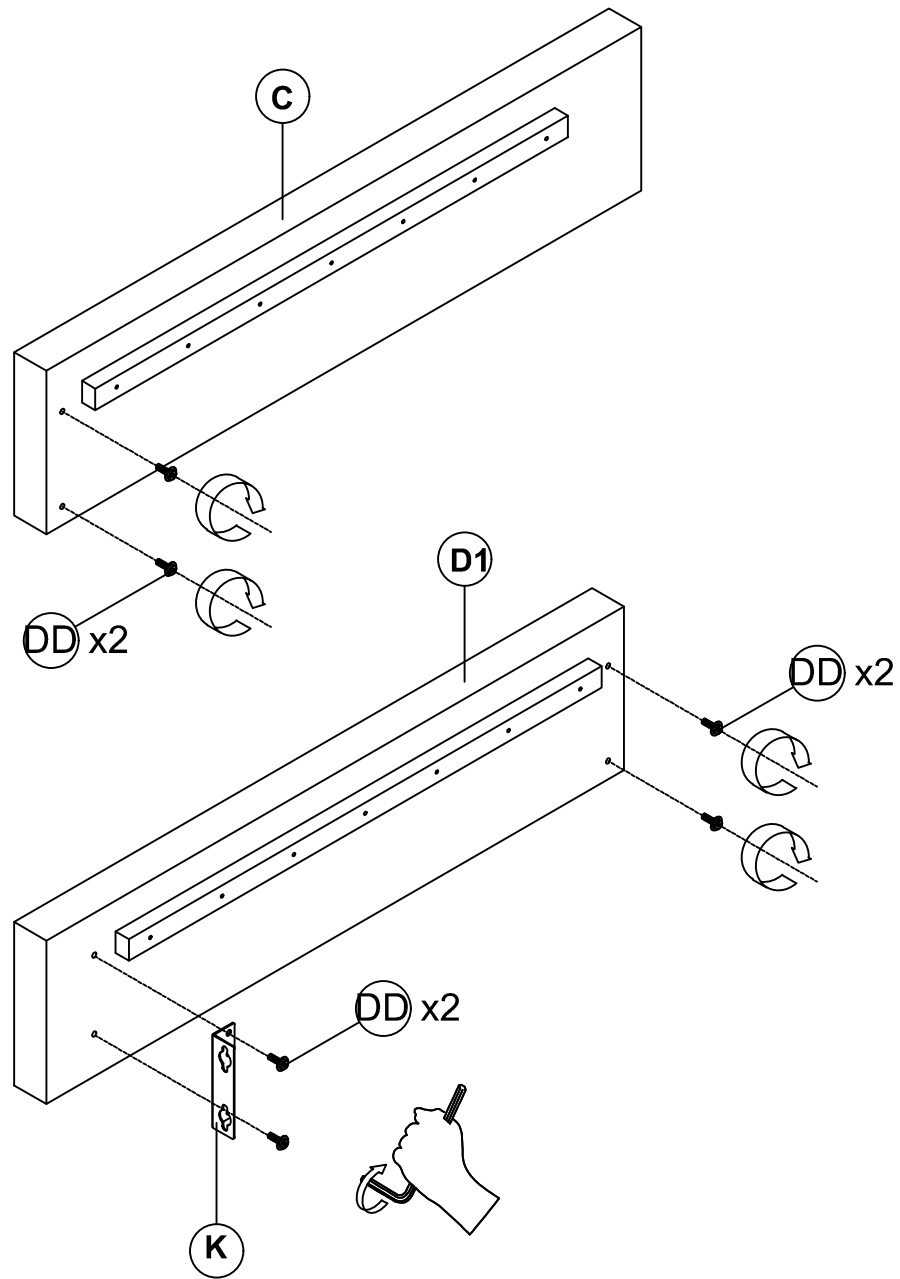
- 6 Use screws (DD) to connect metal support and Footboard (B), and use Allen Key to tighten screws.





# Assembly

7

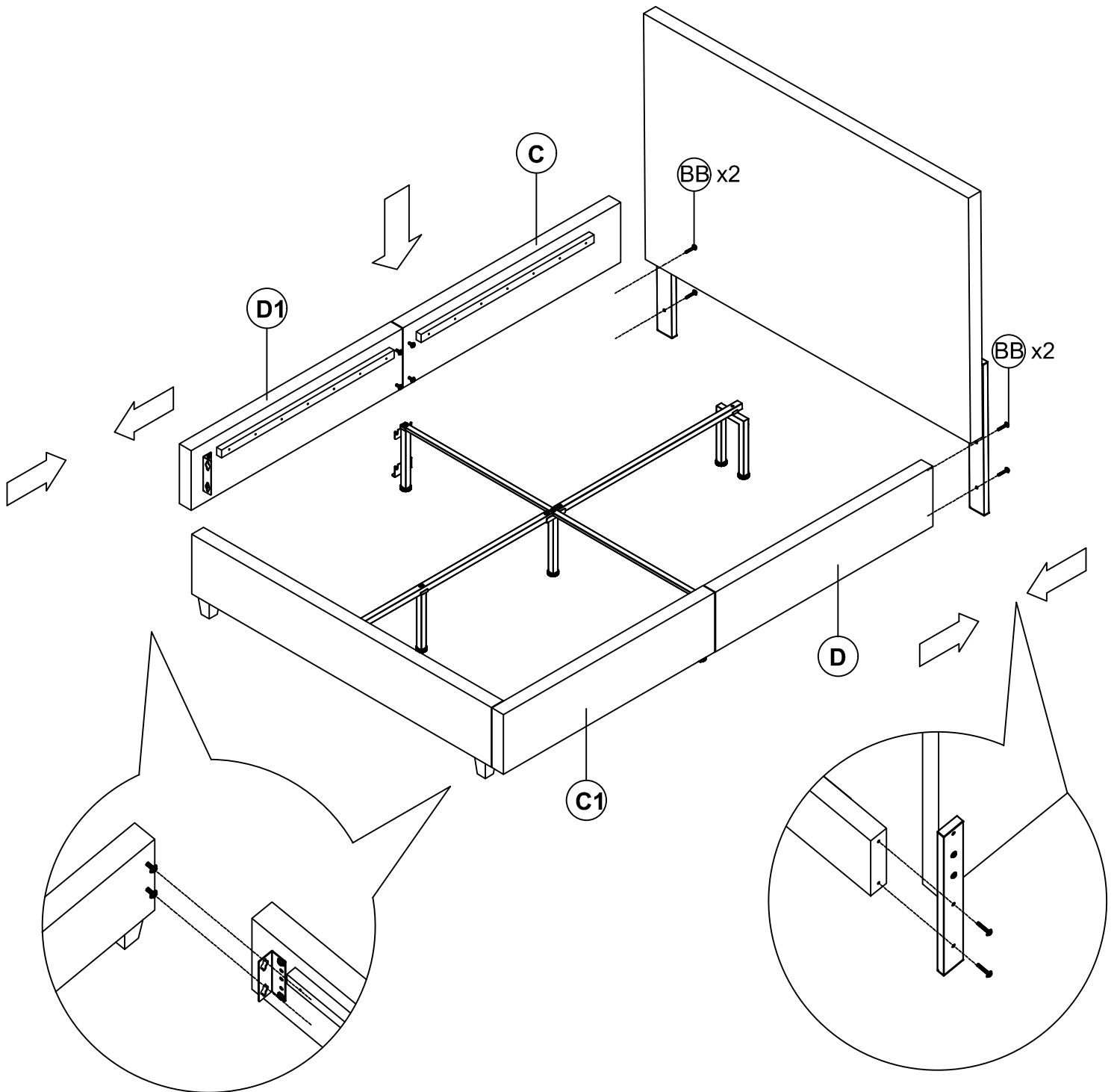


## ATTENTION!

Please do not completely tighten all the hardware until the entire assembly is completed!  
C1 is assembled in the same way as D1, D is assembled in the same way as C.

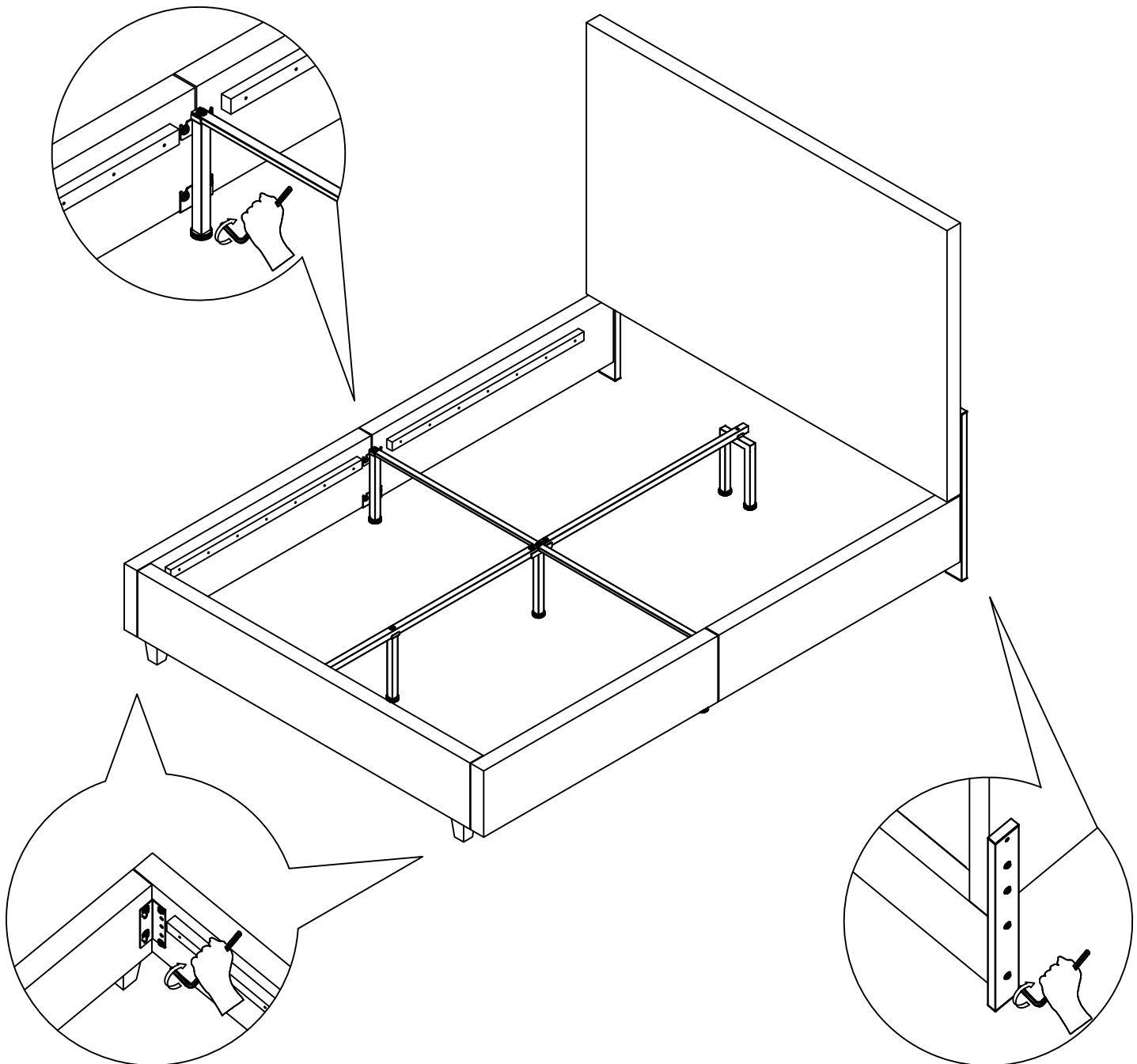
# Assembly

8



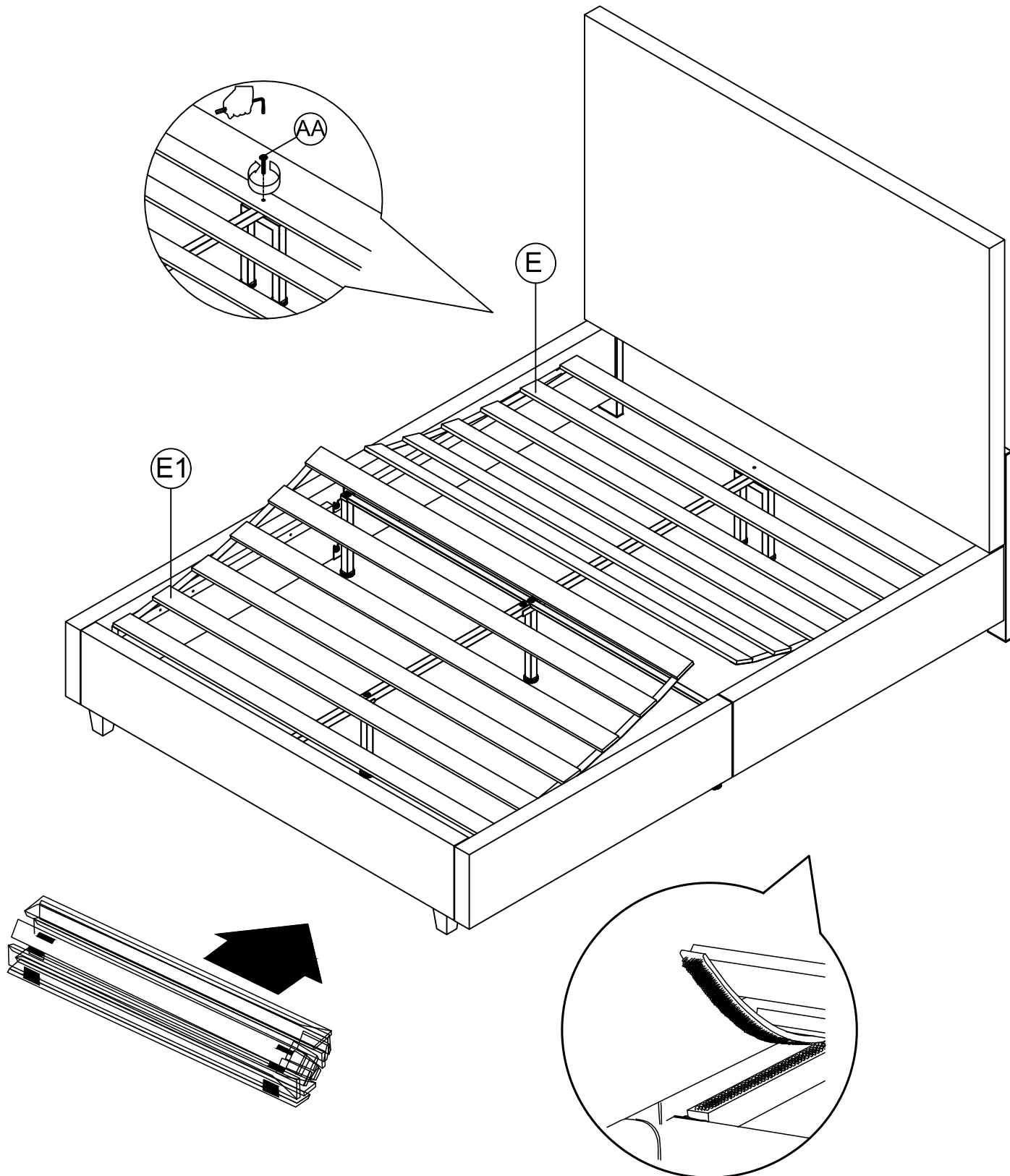
# Assembly

9 Tighten all screws.

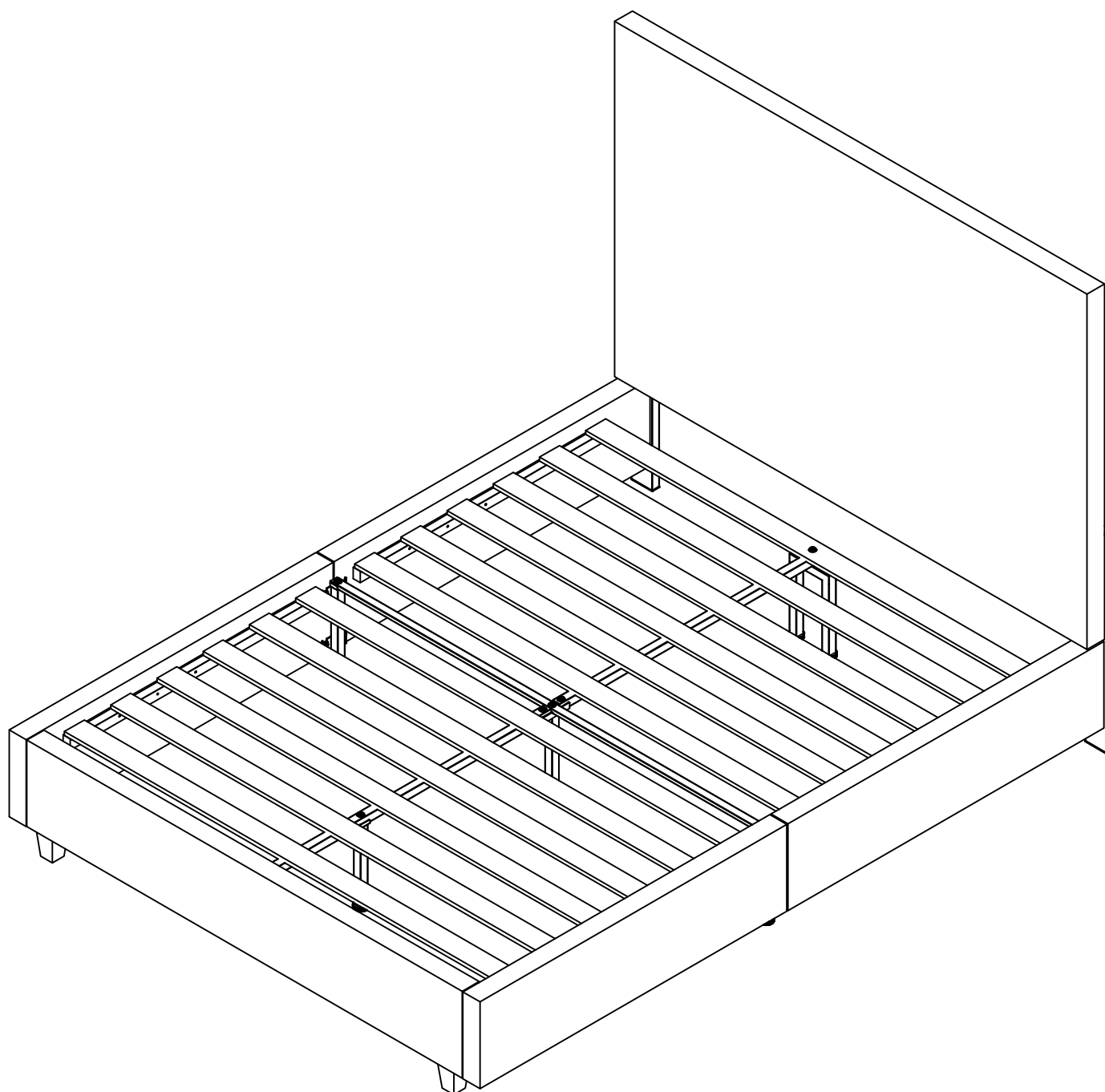


## Assembly

- 10** Unfold and spread wood slats(E&E1)seperately, and use screw(AA) to connect wood slats(E) and metal leg(J).



## Assembly



**ATTENTION!**

Please make sure you tighten all screws before using this bed

## Maintenance

---

- Keep the product away from direct heat and sunlight .
- Prolonged exposure to heat sources may cause scorching, or even cause color to fade .
- Regular vacuuming or light brushing helps to remove dirt and prevent soil build-up, which increases the appearance of wear .
- Periodically (every 90 days) make sure that the screws are fully tightened .

## Care and Cleaning

---

- Handle with care.
- Use a slightly damp cloth to clean the product. Do not use bleach or use abrasive cleaning material .
- Check all the fittings periodically and re-tighten as necessary. Do not use the product if any of the parts are damaged or broken .
- Never allow any kind of liquid to remain on your furniture .
- Absorption can make wood warp or delaminate .
- Do not place hot items (e.g. hot drinks) directly onto the wood surface.
- Do not drag and /or pull the furniture .
- Never use harsh chemicals or solvents on your product as this may damage the metal .
- Marks and stains from pens, crayons and ink markers are difficult to remove. In the event that your products become permanently stained, we recommend that you consult a professional .

# HOME DECORATORS COLLECTION<sup>®</sup>

**Questions, problems, missing parts?  
Before returning to the store, call Home Decorators Collection Customer Service.  
8 a.m. – 7 p.m., EST, Monday – Friday, 9 a.m. – 6 p.m., EST, Saturday**

**1-800-986-3460**

**[Homedepot.com/HOMEDECORATORS](http://Homedepot.com/HOMEDECORATORS)**

Retain this manual for future use.