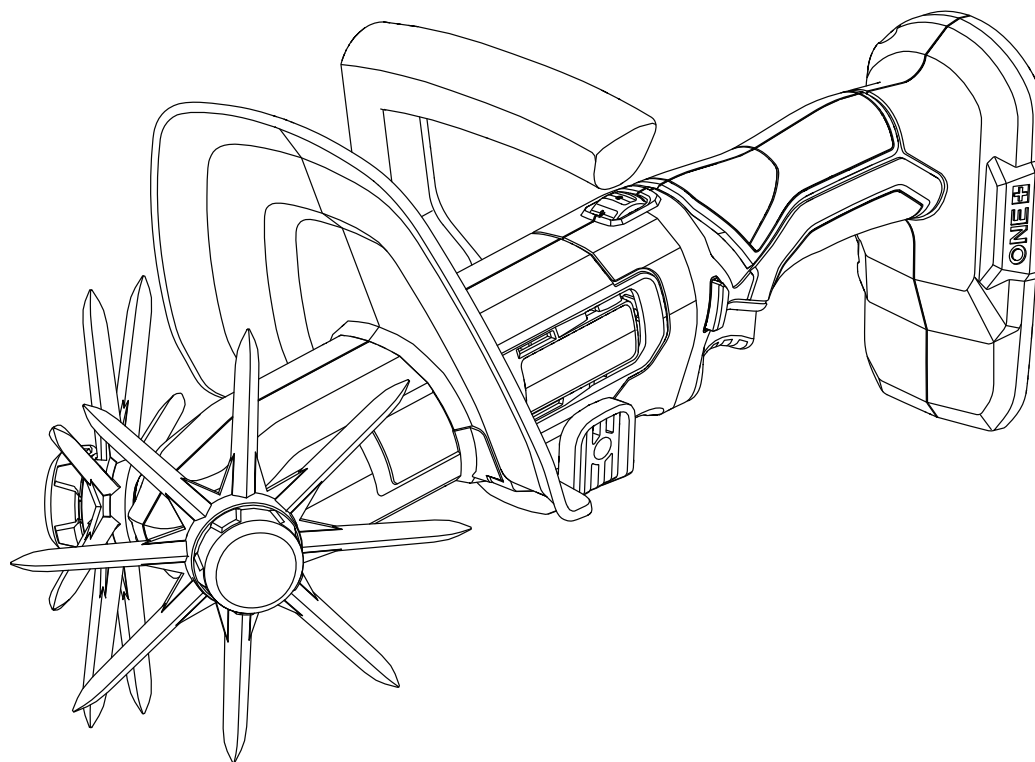


REPAIR SHEET

BRAND RYOBI		DESCRIPTION 18 Volt Compact Cultivator
MODEL NO. P2909VNM	MFG. NO. 108739001	

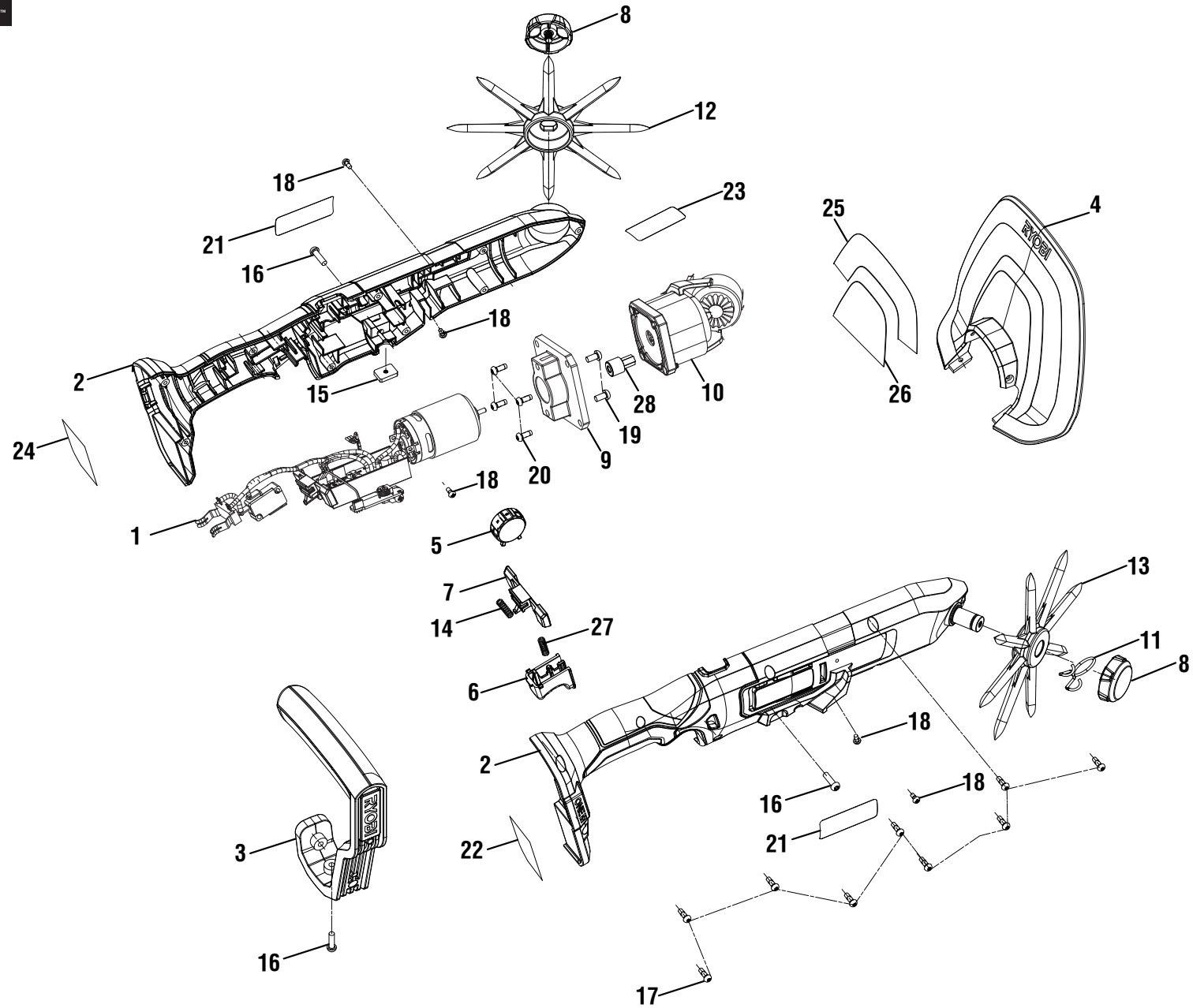


TTI OUTDOOR POWER EQUIPMENT, INC.

P.O. Box 1288, Anderson, SC 29622 ■ 1-800-525-2579 ■ www.ryobitools.com

2-17-22 (Rev:01)

The model number and manufacturing location will be found on a label attached to the product. Always mention this information in all communications regarding this product and when ordering parts.



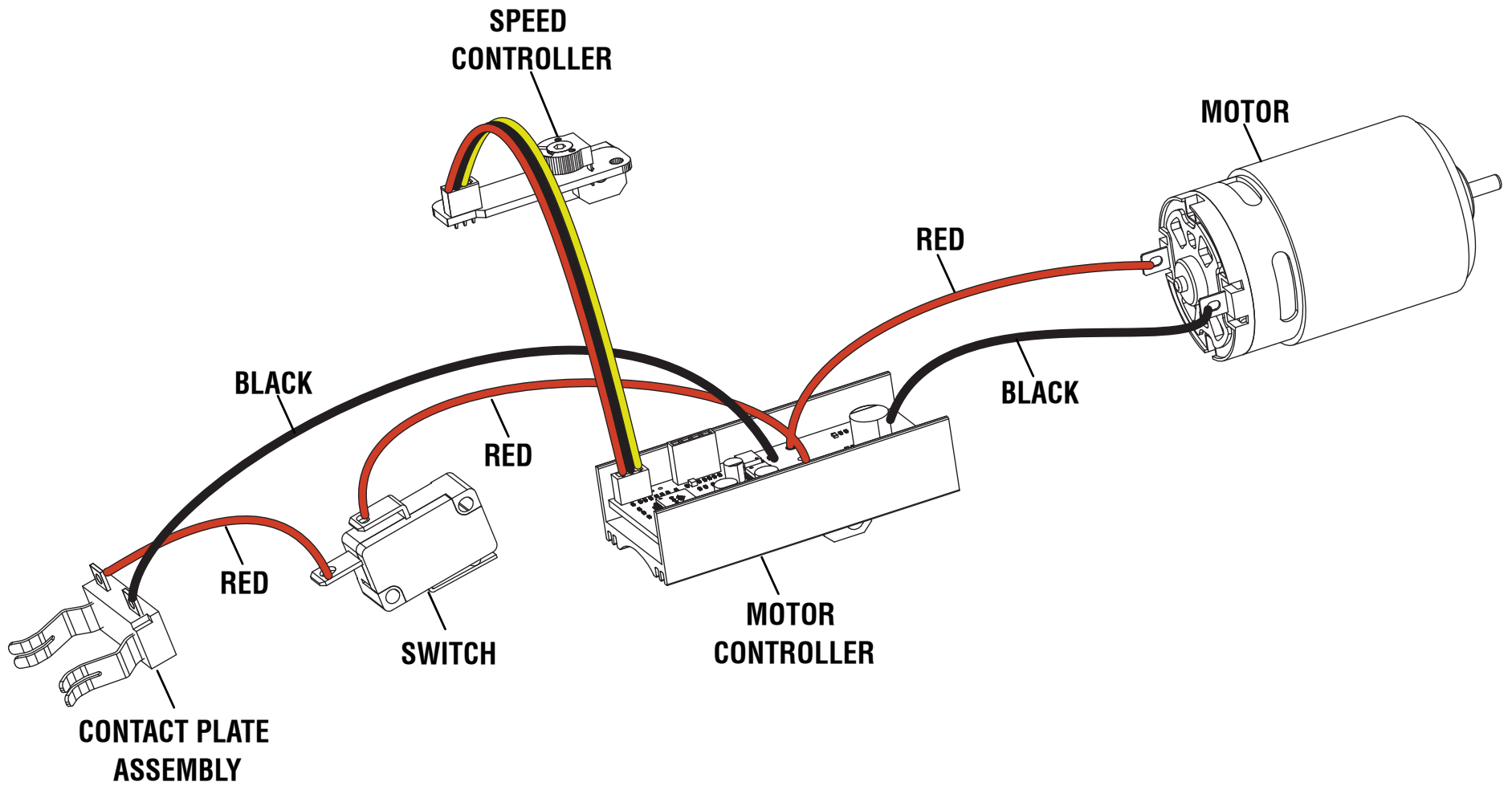


P2909VNM

PARTS LIST

KEY NO.	PART NO.	DESCRIPTION	QTY.
1	205795001	Motor, Switch and Motor Controller Assembly	1
2	205796001	Housing Assembly (Inc. Key Nos. 21-24)	1
3	543908001	Assist Handle	1
4	205797001	Guard Assembly (Inc. Key Nos. 25-26)	1
5	543905001	Speed Control Knob	1
6	543906001	Trigger	1
7	543907001	Safety Lock	1
8	544111001	Quick Release Knob	2
9	535460001	Motor Mount	1
10	318780001	Gear Box Assembly	1
11	683533001	Compression Spring	1
12	644548001	Driving Blade (Left)	1
13	644549001	Driving Blade (Right)	1
14	699120001	Safety Trigger Spring	2
15	660561001	Square Nut (M4)	1

KEY NO.	PART NO.	DESCRIPTION	QTY.
16	660212047	Screw (M5 x 14.5 mm, T20 Torx Pan Hd.)	3
17	660031023	Screw (M3.5 x 10 mm, T10 Torx Pan Hd.)	9
18	660203073	Screw (M3 x 6 mm, Pan Hd.)	5
19	660211062	Screw (M3 x 6 mm, Pan Hd.)	2
20	660086009	Screw (M3 x 8 mm, mm, T10 Torx Pan Hd.)	4
21	940705490	RYOBI Logo Label	2
22	941263124	Data Label	1
23	941263125	Warning Label	1
24	941263139	QR Label	1
25	941263140	Icon Label	1
26	941263141	Warning Label	1
27	683396001	Trigger Spring	1
28	615042001	Pinion	1
	Not Shown:		
	998000761	Operator's Manual	



WIRING DIAGRAM