

GREENPAN™

8-CUP INDUCTION RICE COOKER



USER GUIDE

IMPORTANT SAFEGUARDS

Basic safety precautions should always be followed when using electrical appliances, including the following:

1. **IMPORTANT:** Read all instructions carefully before first use.
2. Do not touch hot surfaces.
3. Use only on a level, dry and heat-resistant surface.
4. To protect against fire, electric shock and injury to persons, do not immerse cord, plug or the appliance in water or any other liquid.
5. Close supervision is necessary when the appliance is used by or near children.
6. Unplug from outlet when not in use and before cleaning. Allow unit to cool before putting on or taking off parts and before cleaning the appliance.
7. Do not operate any appliance with a damaged cord or plug or after the appliance malfunctions or has been damaged in any manner. Return appliance to the nearest authorized service facility for examination, repair or adjustment.
8. The use of accessory attachments not recommended by appliance manufacturer may result in fire, electrical shock or injury.
9. Do not use outdoors.
10. Do not let cord touch hot surfaces or hang over the edge of a counter or table.
11. Do not place on or near a hot gas or electric burner or in a heated oven.
12. Do not use the appliance for other than its intended use.
13. Extreme caution must be used when moving the appliance containing rice, hot oil or other liquids.
14. Do not touch, cover or obstruct the steam vent on the top of the rice cooker as it is extremely hot and may cause scalding.
15. Use only with a 120V AC power outlet.
16. Always unplug from the base of the wall outlet. Never pull on the cord.
17. The rice cooker should be operated on a separate electrical circuit from other operating appliances. If the electrical circuit is overloaded with other appliances, the appliance may not operate properly.
18. Always make sure the outside of the inner cooking pot is dry prior to use. If the inner pot is returned to the cooker when wet, it may damage or cause the product to malfunction.
19. Use extreme caution when opening the lid during or after cooking. Hot steam will escape and may cause scalding.
20. Rice should not be left in the inner cooking pot with the Keep-Warm function on for no more than 3 hours.
21. To prevent damage or deformation, do not use the inner cooking pot on a stovetop or burner.
22. Always attach plug to appliance first, then plug cord into the wall outlet. To disconnect, turn any control to "off", then remove plug from wall outlet.
23. To reduce the risk of electrical shock, cook only in the removable inner cooking pot provided.
24. Do not wrap or tie cord around appliance.
25. Intended for countertop use only.
26. **WARNING:** Spilled food can cause serious burns. Keep appliance and cord away from children. Never drape cord over edge of counter and never use outlet below counter.
27. Do not use for deep frying.
28. This device complies with Part 18 of the FCC rules.
29. Individuals using a pacemaker should consult with a physician before using an induction rice cooker. Using an induction rice cooker may affect a pacemaker.

This device complies with Part 18 of the FCC Rules.

The Cookware Company (USA), LLC

94 N Broadway

Irvington, NY 10533 - USA

Tel: + 1914 372 7777

www.greenpan.us

This equipment has been tested and found to comply with the limits for a Consumer ISM equipment, pursuant to Part 18 of the FCC Rules. These limits are designed to provide reasonable protection against harmful interference in a residential installation. This equipment generates, uses and can radiate radio frequency energy and, if not installed and used in accordance with the instructions, may cause harmful interference to radio communications.

However, there is no guarantee that interference will not occur in a particular installation.

Please note that changes or modifications of this product is not expressly approved by the party responsible for compliance could void the user's authority to operate the equipment.

If this equipment does cause harmful interference to radio or television reception, which can be determined by turning the equipment off and on, the user is encouraged to try to correct the interference by one or more of the following measures:

- Reorient or relocate the receiving antenna.
- Increase the separation between the equipment and receiver.
- Connect the equipment into an outlet on a circuit different from that to which the receiver is connected.
- Consult the dealer or an experienced radio / TV technician for help.

SHORT CORD INSTRUCTIONS

A short power supply cord is provided to reduce the hazards resulting from becoming entangled in or tripping over a longer cord. Longer extension cords may be used if care is exercised. If a long extension cord is used, the marked electrical rating of the extension cord should be at least as great as the electrical rating of the appliance, and the longer cord should be arranged so that it will not drape over the countertop or tabletop where it can be pulled on by children or animals or tripped over. If the appliance is of the grounded type, the extension cord should be a grounding 3-wire cord.

GROUNDING INSTRUCTIONS

This appliance must be grounded while in use to protect the operator from electrical shock. The appliance is equipped with a 3-conductor cord and a 3-prong grounding type plug to fit the proper grounding-type receptacle.

SAVE THESE INSTRUCTIONS FOR HOUSEHOLD USE ONLY

HEALTHY COOKING STARTS WITH GREENPAN

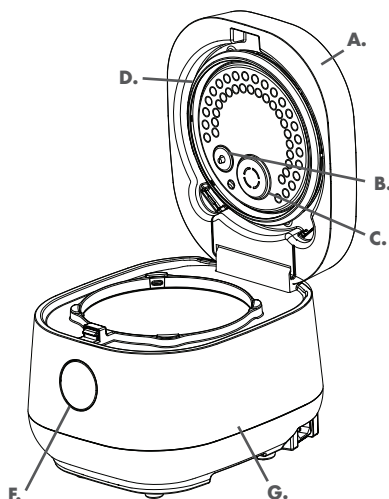
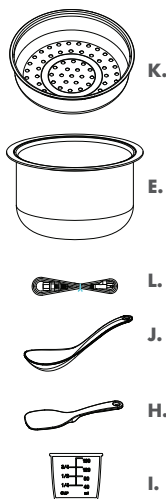
Since inventing healthy ceramic nonstick in 2007, we've dedicated ourselves to unique advances that make cooking better for everyone. From healthy ceramic nonstick cookware to revolutionary home appliances, our groundbreaking designs deliver remarkable performance so you can focus on the flavor. Enjoy!

CONTENTS

- 05 Parts**
- 05 Before First Use**
- 05 Control Panel**
- 06 Operation**
- 07 Quick Tips**
- 08 Cleaning & Maintenance**
- 08 Storage**
- 08 Troubleshooting**
- 09 Warranty**

PARTS

- A. Lid
- B. Top Temperature Sensor
- C. Steam Valve
- D. Inner Cover (Removable)
- E. Inner Pot (Removable)
- F. Button (Push to Open)
- G. Body
- H. Rice Spatula
- I. Measuring Cup
- J. Soup Ladle
- K. Steamer Insert
- L. 3 Pin Power Cord



BEFORE FIRST USE

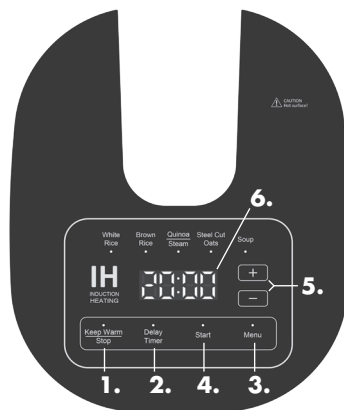
1. Read all instructions and important safeguards.
2. Remove all packaging materials and check that all items have been received in good condition.
3. Tear up all plastic bags and dispose of properly as they can pose a suffocation or choking risk to children.
4. Wash all accessories in warm, soapy water. Rinse and dry thoroughly.
5. Remove the inner pot from rice cooker and clean with warm, soapy water. Rinse and dry thoroughly before returning to cooker.
6. Wipe unit clean with a damp cloth.

NOTE: Do not use harsh abrasive cleaners, scouring pads or products that are not considered safe to use on nonstick coatings. If washing in the dishwasher, a slight discoloration to the inner pot and accessories may occur. This is cosmetic only and will not affect performance.

INDUCTION HEATING (IH) CONTROL PANEL

- Cooking times will vary depending on the type of rice, room temperature, water temperature, water amount, etc.
- Keep warm should be used for a maximum of 3 hours to prevent rice from burning.

CONTROL PANEL



1. Keep Warm/Stop

- a. Press and hold 1 second to enter Keep Warm mode.
- b. Press and hold for 1 second to stop after cooking is completed if you don't want to keep warm.

2. Delay Timer

Press Delay Timer to delay the start of your cooker cycle. The unit will only start to cook after the countdown is complete. Use + or - to increase or decrease the desired start time, in increments of 30 minutes. Delay can be set between 1-24 hours.

Option One

1. After plugging the unit in, press Delay Timer.
2. Press + or - to adjust the desired time.
3. Press Menu to select the desired function.
4. Press Start.

Option Two

1. After plugging the unit in, press Menu to select the desired function.
2. Press Delay Timer.
3. Press + or - to adjust to the desired time.
4. Press Start.

3. Menu

Press Menu to scroll through preset functions, White Rice, Brown Rice, Quinoa, Steel Cut Oats or Soup. Indicator light shows which function is selected. Press Start if cooking time is okay. Use + and - if you want to adjust time.

4. Start

Press and hold for 1 second to start cooking.

5. Timer

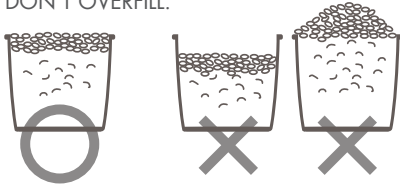
- a. Press + or - to adjust cooking time.
- b. After pressing Delay Timer, use the + or - to set the desired start time. Delay can be set between 1-24 hours.

6. LED display

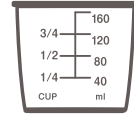
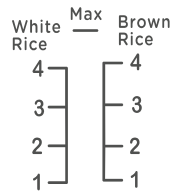
OPERATION

Rice

MEASURE THE RICE WITH LEVEL SCOOPS.
DON'T OVERFILL.



Use the provided Measuring Cup or your own measuring cup for dry ingredients (white rice, brown rice, steel cut oats and quinoa). Use the measuring line on the removable pot for maximum water level. (Measurements are based on Measuring Cup provided. Ok to use your own).



1. Use the provided measuring cup to add the desired amount of the rice to the inner pot.
2. Rinse rice or grain to remove excess starch and drain.
3. Fill Removable Inner Pot with water to the line matching the number of cups of rice being cooked.
4. Place the Inner Pot into the 8-Cup Induction Rice Cooker.
5. Close the Lid.
6. Plug the 8-Cup Induction Rice Cooker into an available 120V AC outlet.
7. Press Menu to select White Rice or Brown Rice, depending upon the type of rice being cooked.
8. Press Start, 8-Cup Induction Rice Cooker will begin cooking and the LED display will begin to countdown.
9. Once cooking is finished, the 8-Cup Induction Rice Cooker will automatically switch to Keep Warm.
10. When finished, press Stop and unplug the Power Cord.

Note

- Brown rice requires a longer cooking cycle than other rice varieties due to the extra bran layers on the grains. The Brown rice function allows extra time and adjusted heat settings in order to cook the rice properly. If it appears the 8-Cup Induction Rice Cooker is not heating up immediately when cooking brown rice, this is due to a low-heat soak cycle that precedes the cooking cycle to produce better brown rice results.
- Before placing the Inner Pot into 8-Cup Induction Rice Cooker, check that the outside is dry and free of debris. Adding the Inner Pot when wet may damage the 8-Cup Induction Rice Cooker.
- Cooking times are approximate. Altitude, humidity and outside temperature will change cooking times.
- Opening the Lid during the cooking cycle causes a loss of heat and steam. Cooking time may be prolonged if the Lid is opened before the rice is finished.

Function	Rice/Grain Amount	Water Amount	Default Time	Cooking Time
White Rice	1 Cup 2 Cup 3 Cup 4 Cup	Use Line 1 Line 2 Line 3 Line 4 of white rice	25 Minutes	20-60 Minutes
Brown Rice	1 Cup 2 Cup 3 Cup 4 Cup	Use Line 1 Line 2 Line 3 Line 4 of brown rice	50 Minutes	45-90 Minutes
Quinoa	1/2 Cup 1 Cup 2 Cup	3/4 Cup 1 1/2 Cups 3 Cups	25 Minutes	10-40 Minutes
Steel Cut Oats	1/2 Cup 1 Cup 2 Cup	3/4 Cup 1 1/2 Cups 3 Cups	20 Minutes	20-40 Minutes
Soup	/	/	1 Hour	60-180 Minutes
Steam	/	Use Line 2	25 Minutes	10-40 Minutes

Quinoa & Steam

Use the same operation for Quinoa and Steam, as for Rice. However, no need to rinse the Quinoa.

To use Steam function fill water no higher than line 2 in the Removable Pot. Place Steamer Insert into Removable Pot and add vegetables.

Select time based on type of veggies or proteins you are cooking, cooking time will vary depending on size of ingredients as well as density.

Soup

Use the same operation for Soup. If your soup needs additional cooking time, you can add cooking time by pressing +. Time can be added between 10-120 minutes in increments of 5 minutes.

Steel Cut Oats

Use the same operation as for rice, but it is not necessary to rinse the oats.

QUICK TIPS

- 1 measuring cup is about 2/3 U.S. cup. (Note Measuring Cup is included with unit.)
- This chart is only a general measuring guide. As there are many types of rice available, rice/water measurements may vary.
- Rinse rice prior to cooking to remove excess bran and starch. This will help reduce browning.
- To get perfect brown rice without the wait use the Delay Timer. Add rice and water in the morning and set the Delay Timer for when rice will be needed that night.
- For quinoa and steel cut oats, use caution to avoid escaping steam, open the Lid and stir occasionally with a long-handled wooden spoon.
- Default time is the preset function time, adjust as per your preference using + or -. Please refer to cooking time in chart.

CLEANING & MAINTENANCE

1. Detach the Inner Cover and Steam Valve from Lid by gently pulling it outward.
 2. Inner Pot, Inner Cover, and all Accessories are top-rack dishwasher safe.
 3. Wipe Body, Base, and Lid clean with a damp cloth.
 4. Thoroughly dry Body and Accessories. Reassemble for next use.
- DO NOT use harsh abrasive cleaners, scouring pads, or products that are not considered safe to use on nonstick coatings.
 - If using the dishwasher, a slight discoloration to the Inner Pot and Accessories may occur. This is cosmetic only and will not affect performance.

Part	Dish Washer Safe Top Rack Only Or Hand Wash Safe	Wipe with Damp Cloth
Inner Pot	X	
Inner Cover	X	
Rice Spatula	X	
Soup Ladle	X	
Measuring Cup	X	
Steamer	X	
Body		X
Base		X
Lid		X

STORAGE

Ensure the 8-Cup Induction Rice Cooker is cool and dry before storing. Secure power cord with twist tie.

BEFORE RETURNING YOUR GREENPAN PRODUCT

If you are experiencing problems with your GreenPan Product, please call GreenPan customer service at 914-372-7777 before returning the product. A representative can confirm whether the product is under warranty and advise on next steps.

TROUBLEHOOTING

Problem	Solution
8-Cup Induction Rice Cooker does not turn on	Check whether the power plug is connected to a functional, grounded electrical outlet

LIMITED WARRANTY

GreenPan Electrics are covered by a limited warranty against defects in materials and workmanship, beginning on the date of purchase and lasting for two years. If your GreenPan Electrics product has a defect during the warranty period, The Cookware Company (USA), LLC will either repair or replace the product. Further information on the warranty claim process, exclusions from warranty coverage, and other terms can be found in the complete limited warranty for this product, available online at greenpan.us/warranty.

TERMS OF SALE; ARBITRATION

The terms on which The Cookware Company (USA), LLC sells GreenPan Electrics are available online at greenpan.us/pages/terms-of-sale (the "Terms"). The Terms contain very important information regarding your rights and obligations, as well as conditions, limitations, and exclusions that may apply to you. Please read them carefully.

In particular, the Terms provide that, by your purchase of this product, you and The Cookware Company (USA), LLC are agreeing to give up any rights to litigate in a court or before a jury, or to participate in a class action or representative action with respect to a claim. Other rights that you would have if you went to court may also be unavailable or limited in arbitration. Any claim, dispute, or controversy between you and The Cookware Company (USA), LLC arising from or relating in any way to your purchase of products or services will be resolved exclusively and finally by binding arbitration.

The arbitration will be administered by the American Arbitration Association ("AAA") in accordance with the Consumer Arbitration Rules (the "AAA Rules") then in effect, except as modified hereby. (The AAA Rules are available at adr.org or by calling the AAA at 1-800-778-7879.) The Federal Arbitration Act will govern the interpretation and enforcement of this arbitration and waiver provision.

The Cookware Company (USA), LLC will be responsible for the AAA filing fee of any such proceeding. Other than your right to pursue a claim in small claims court, as described in the Terms, the arbitrator will have exclusive authority to resolve any dispute relating to arbitrability and/or enforceability of this arbitration provision, including any unconscionability challenge or any other challenge that the arbitration provision or these Terms are void, voidable or otherwise invalid. The arbitrator will be empowered to grant whatever relief would be available in court under law or in equity. Any award of the arbitrator(s) will be final and binding on each of the parties and may be entered as a judgment in any court of competent jurisdiction. Attorney fee shifting in this case is governed by the Terms. You agree to an arbitration on an individual basis. In any dispute, **NEITHER YOU NOR THE COOKWARE COMPANY (USA), LLC WILL BE ENTITLED TO JOIN OR CONSOLIDATE CLAIMS BY OR AGAINST OTHER CUSTOMERS IN COURT OR IN ARBITRATION OR OTHERWISE PARTICIPATE IN ANY CLAIM AS A CLASS REPRESENTATIVE, CLASS MEMBER OR IN A PRIVATE ATTORNEY GENERAL CAPACITY.** The arbitral tribunal may not consolidate more than one person's claims and may not otherwise preside over any form of a representative or class proceeding. The arbitral tribunal has no power to consider the enforceability of this class arbitration waiver and any challenge to the class arbitration waiver may only be raised in a court of competent jurisdiction.

If any provision of the arbitration agreement described herein and in the Terms is found unenforceable, the unenforceable provision will be severed and the remaining arbitration terms will be enforced.

GREENPAN™

1400023025