



TABLE OF CONTENTS

Product Information

| | |
|---|---|
| General Information..... | 2 |
| Lite Cut Information..... | 3 |
| Unit Sizing, Rough Openings & Masonry Openings..... | 4 |
| Opening Formulas..... | 5 |
| Operation & Sash Tilting | 6 |

Options

| | |
|-------------------------------------|----|
| SDL & GBG | 7 |
| Jamb Extender & Prep for Stool..... | 8 |
| Trim..... | 9 |
| Mullion..... | 10 |

Sizing Details

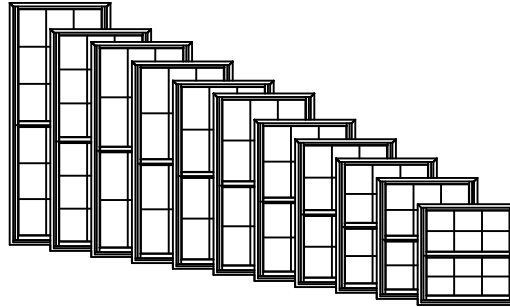
| | |
|---------------------|----|
| Min-Max Sizing..... | 11 |
|---------------------|----|

Section Details

| | |
|--------------------------|----|
| Operator: | |
| Vertical..... | 12 |
| Horizontal..... | 13 |
| In-Sash Picture/Transom: | |
| Vertical..... | 14 |
| Horizontal..... | 15 |



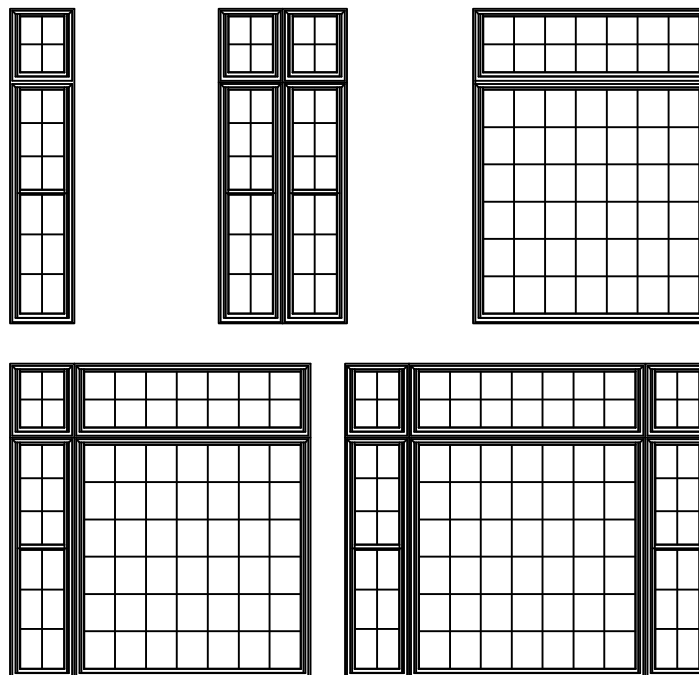
GENERAL INFORMATION



W-2500 Clad Double-Hung windows feature fully operating upper and lower sash. Counterbalancing is achieved with helical spring extension systems hidden in weatherable PVC jamb liners. Operating units are supplied with cam-type sash locks installed. There are several hardware finish options. Refer to the Specifications for available finish options.

Multiple Assemblies

W-2500 Clad Double-Hung windows may be mulled beside other clad double-hung or clad picture windows, or below clad transom windows, to fulfill a wide variety of needs.

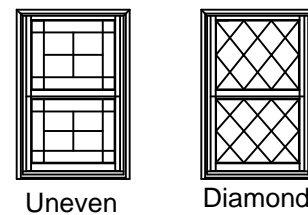
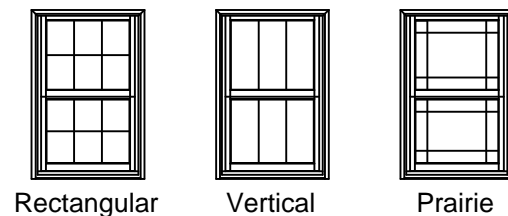


 LITE CUT INFORMATION

W-2500 Clad Double-Hung windows are available with removable grilles in 7/8" Full Surround or Beaded SDL only, 5/8" flat or 23/32" contour Grilles Between the Glass (GBG) and Simulated Divided Lites (SDL). Standard lite cuts are rectangular.

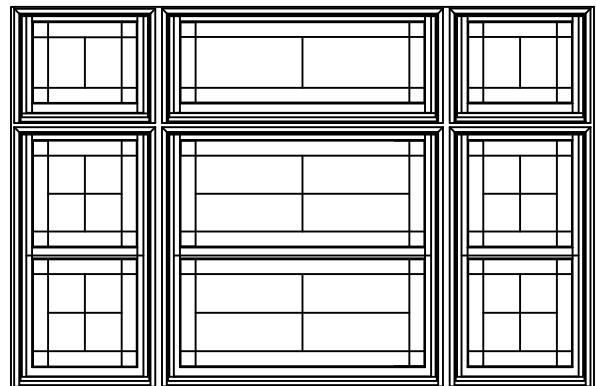
Lite Cut Options

Special lite cut patterns can include a wide variety of straight line and radius patterns. The illustrations shown here represent just a few of the possibilities. Rectangular, horizontal, vertical and Prairie lite patterns are available in all standard size clad double-hung windows. Uneven, diamond, radius and Gothic lite cuts are available, subject to approval. Approvals are based on the ability to fulfill the design requirement while maintaining the construction integrity of the finished product.



Bar Alignment

Alignment of divided lite muntin bars from one window to the next is often required by fine architectural design. Wood grilles, GBG's, and Simulated Divided Lites may be specified with muntin bars aligned.





UNIT SIZING, ROUGH OPENINGS & MASONRY OPENINGS

General Notes:

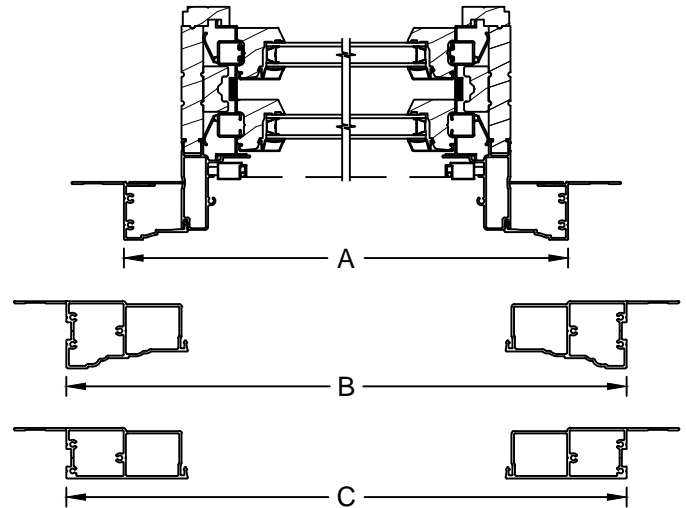
Unit size is always the maximum size of the window with or without trim and does not include nail fin.

Masonry Opening:

Masonry opening is always 1/2" over (height and width) the unit size or the outside of the trim of the window.

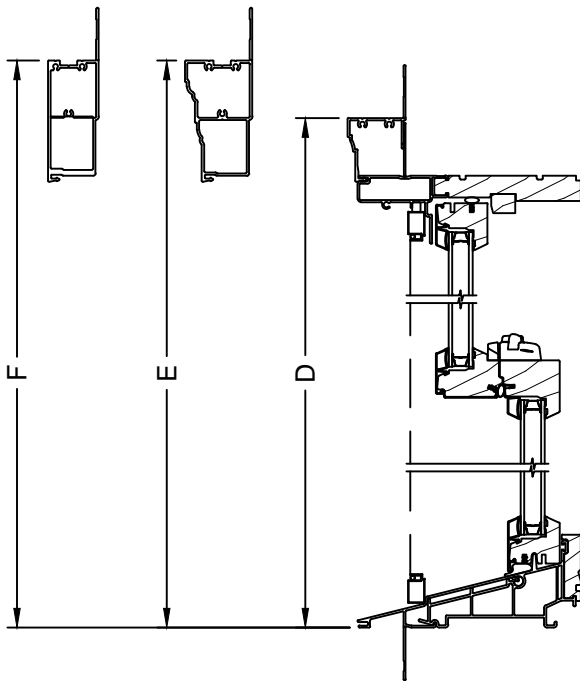
Rough Opening:

Rough opening is always 3/4" over frame size of the window.



Horizontal exterior trim offerings below are the same with or without sill nose.

| Horizontal Sections | | |
|---------------------|-----------|---------|
| Trim Option | Dimension | Frame + |
| Brickmould | A | 3" |
| Adams Casing | B | 6" |
| 3 1/2" Flat Casing | C | 6" |



Vertical exterior trim offerings without sill nose. Trim on 3 sides.

| Vertical Sections (w/o Sill Nose) | | |
|-----------------------------------|-----------|---------|
| Trim Option | Dimension | Frame + |
| Brickmould | D | 3" |
| Adams Casing | E | 6" |
| 3 1/2" Flat Casing | F | 6" |



OPENING FORMULAS

Clear Opening Formulas:

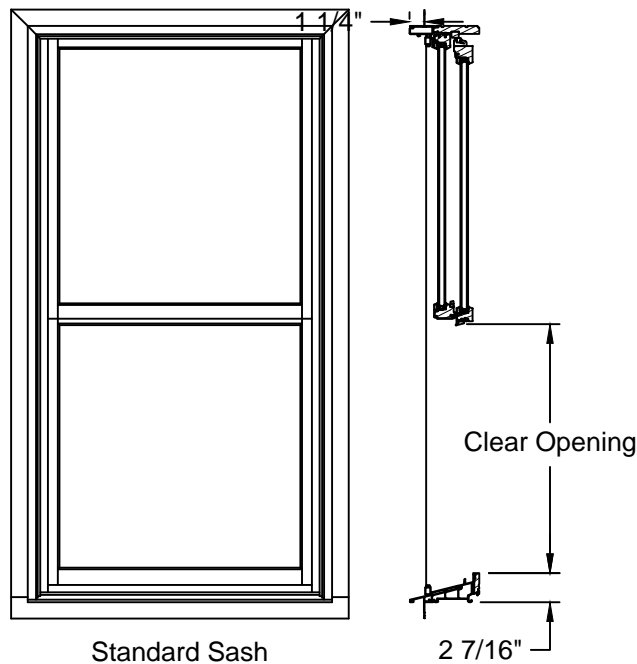
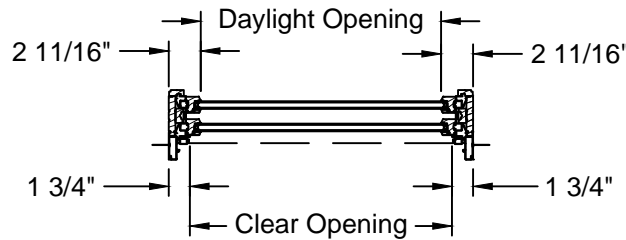
Vertical (Standard)
Clear Opening = (Frame Height / 2) - 3 15/16"

Equal Cap Sizes
Clear Opening = Frame Width - 3 9/16"

Daylight Opening Formulas:

Vertical
Daylight Opening = (Frame Height / 2) - 3 5/16"

Horizontal
Daylight Opening = (Frame Width - 5 11/32")

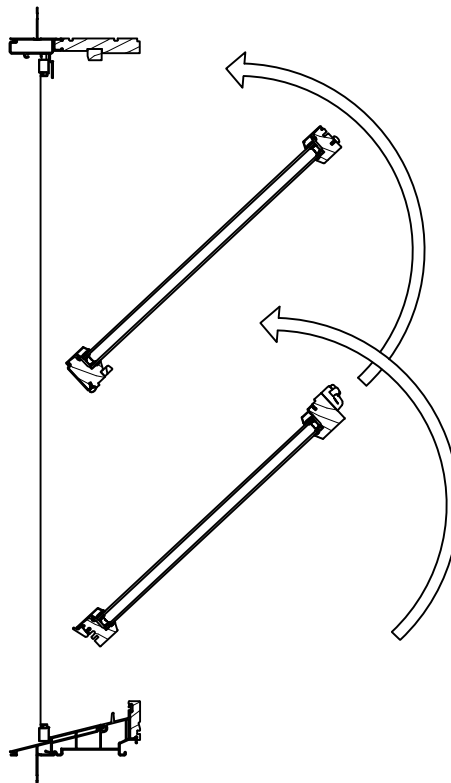
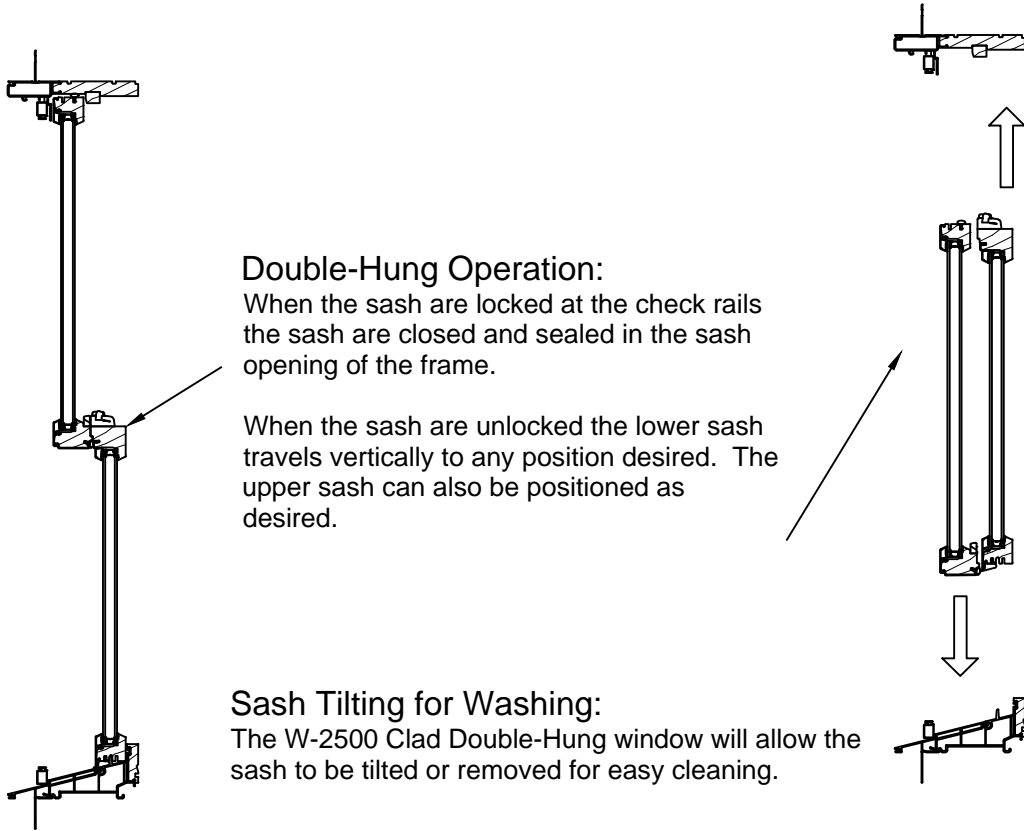


Standard Sash Options

Consult the Design Data Tables for clear opening information. For dimensional units, contact Jeld-Wen - Bend Window Division, Technical Services Department for clear opening information.



OPERATION & SASH TILTING

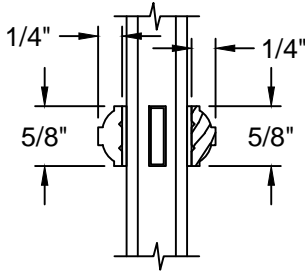




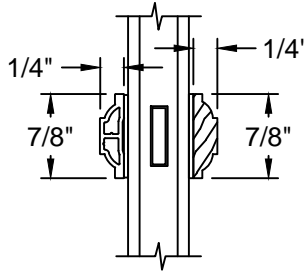
SDL & GBG OPTIONS

Exterior ← → Interior

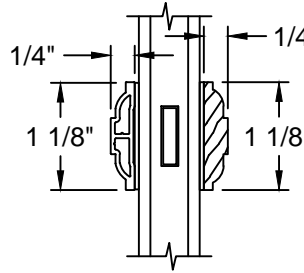
SDL Options



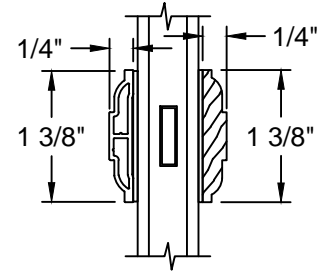
5/8" Bead SDL



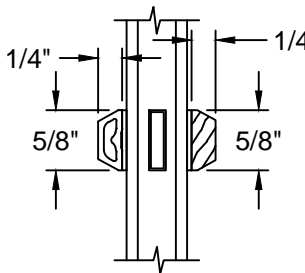
7/8" Bead SDL



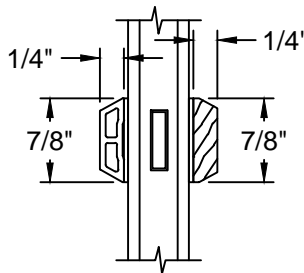
1 1/8" Bead SDL



1 3/8" Bead SDL

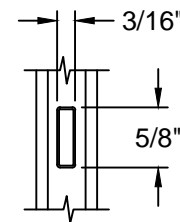


5/8" Putty SDL

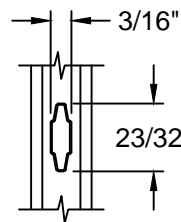


7/8" Putty SDL

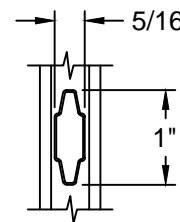
GBG Options



5/8" Grille



23/32" Grille

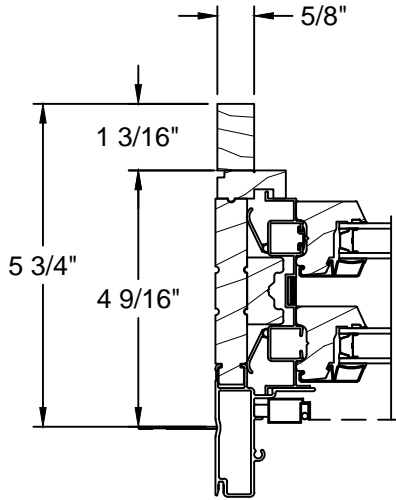


1" Grille

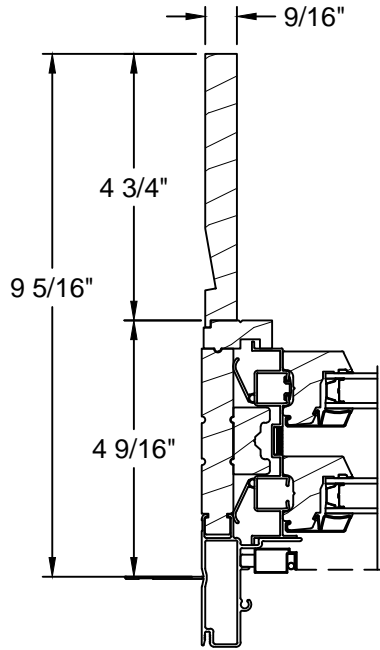
Note: Various Combinations of the SDL Bars Shown are Available



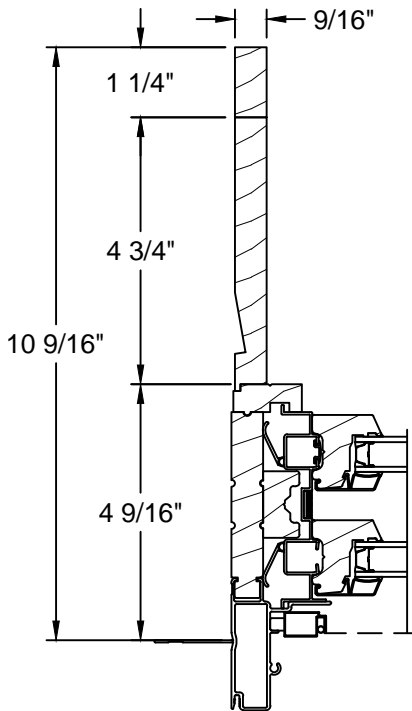
JAMB EXTENDER & PREP FOR STOOL OPTIONS



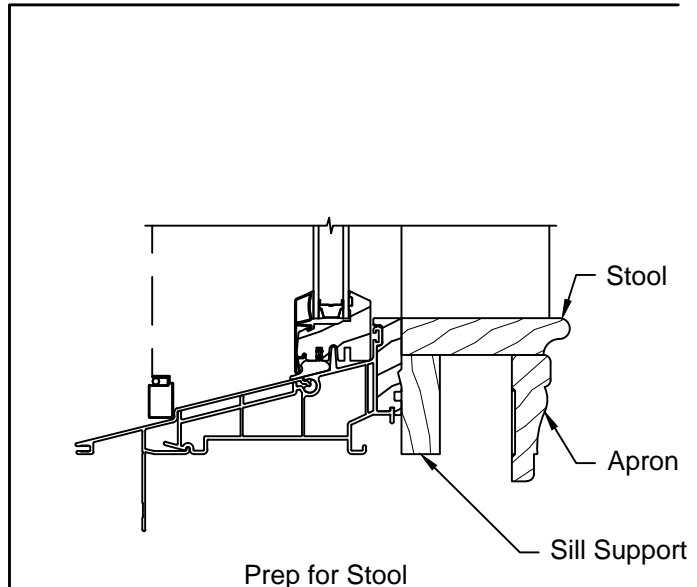
5 3/4" Wall
4/4 (21/32") Jamb Thickness
(Option)



9 5/16" Wall
Max 1-PC
Jamb Extender



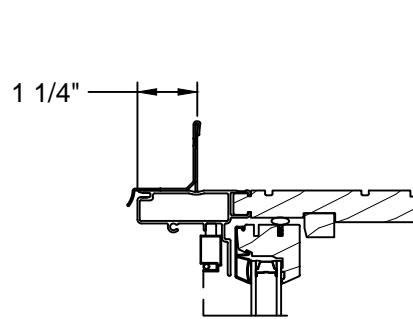
10 9/16" Wall
Max Wall Depth



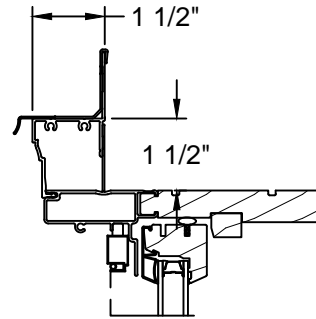
Note: Stool, apron, and sill support are applied by trim carpenter after window is installed and are not provided by JELD-WEN. Unit is shipped without sill jamb extenders.



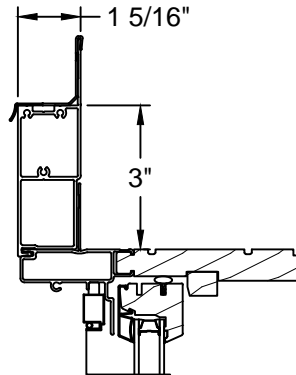
TRIM OPTIONS



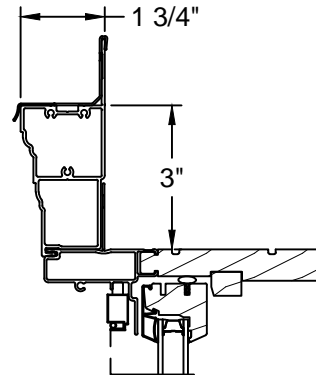
Standard



Brickmould

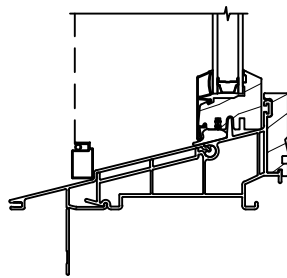


3 1/2"
Flat Casing

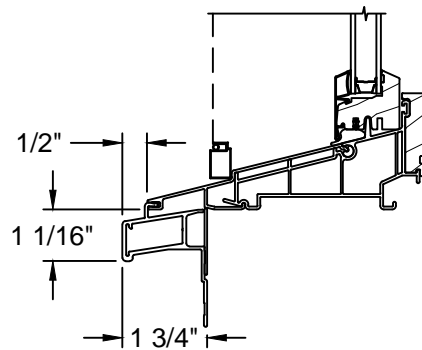


Adams
Casing

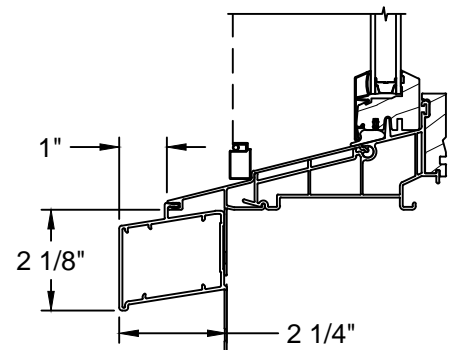
Sill Nose Options



Sill with Nail Fin



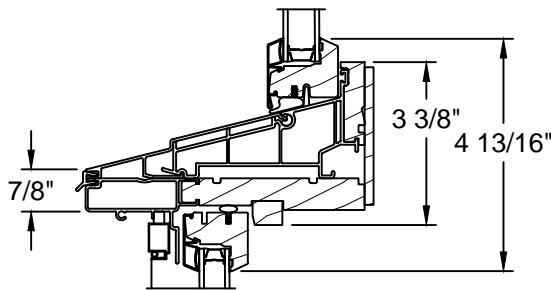
Sill with Standard Casing



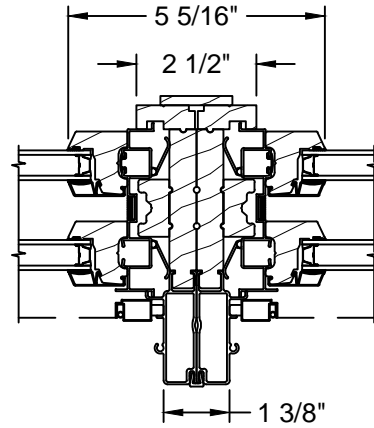
Sill with 2" Sill Nose Casing



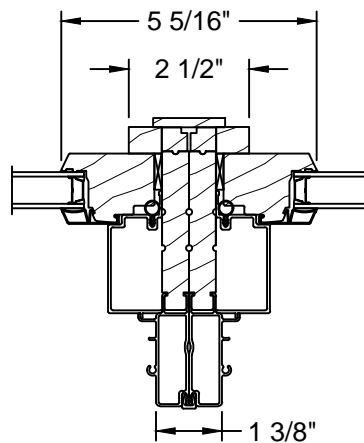
MULLION OPTIONS



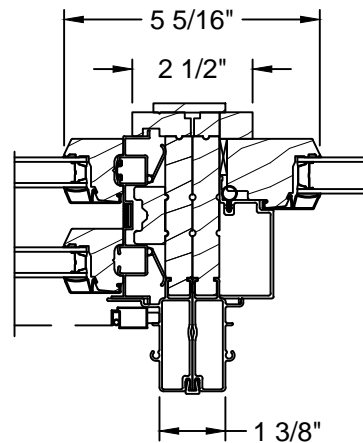
Operating Double-Hung with In-Sash
Picture/Transom



Twin Operating Double-Hung



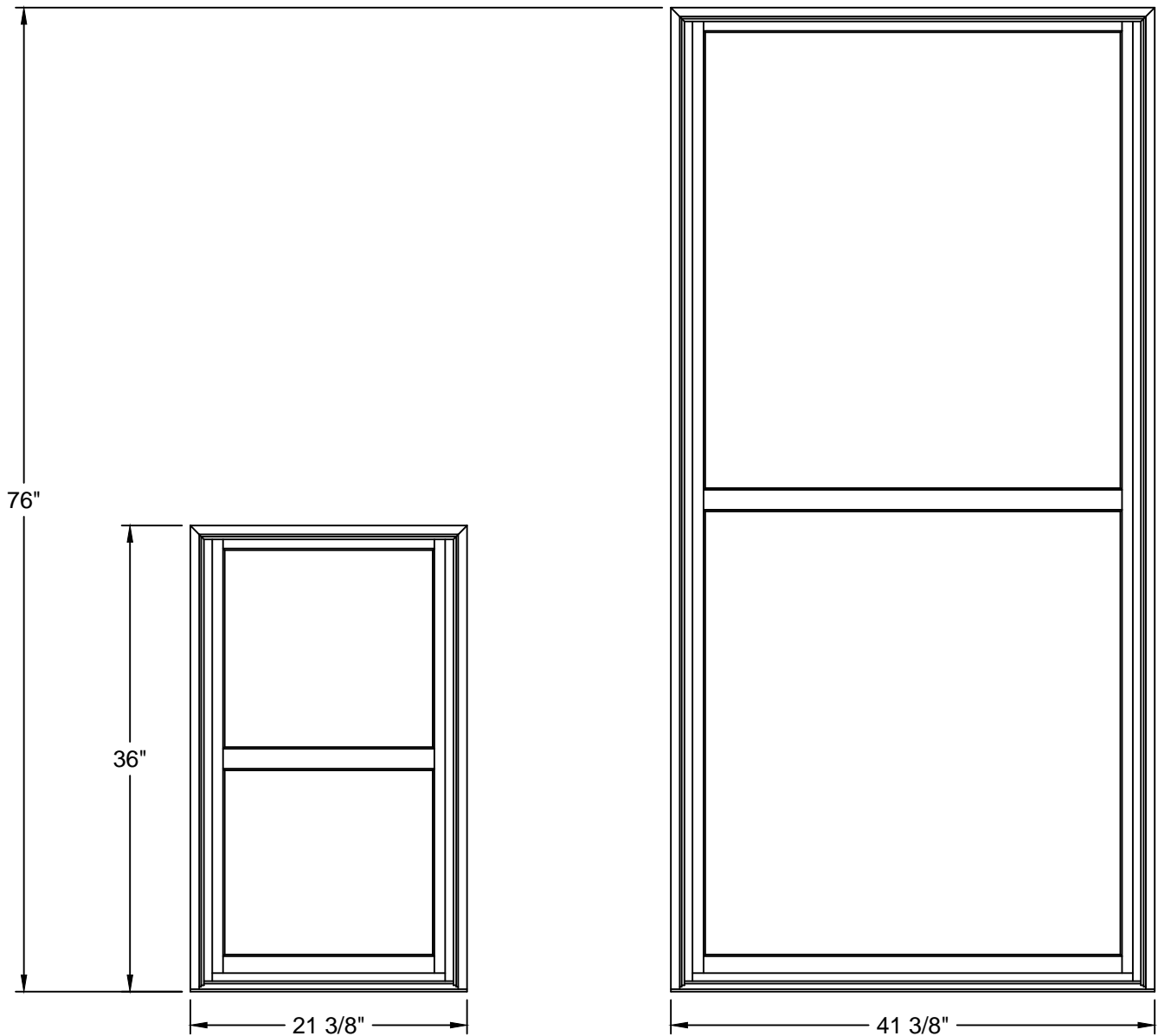
In-Sash Picture/Transom Beside In-Sash
Picture/Transom



Operating Double-Hung Beside In-Sash
Picture/Transom



MIN-MAX SIZING



Standard Widths For The W-2500 Clad Double-Hung Window Unit:
21 3/8", 25 3/8", 29 3/8", 33 3/8", 37 3/8", 41 3/8".

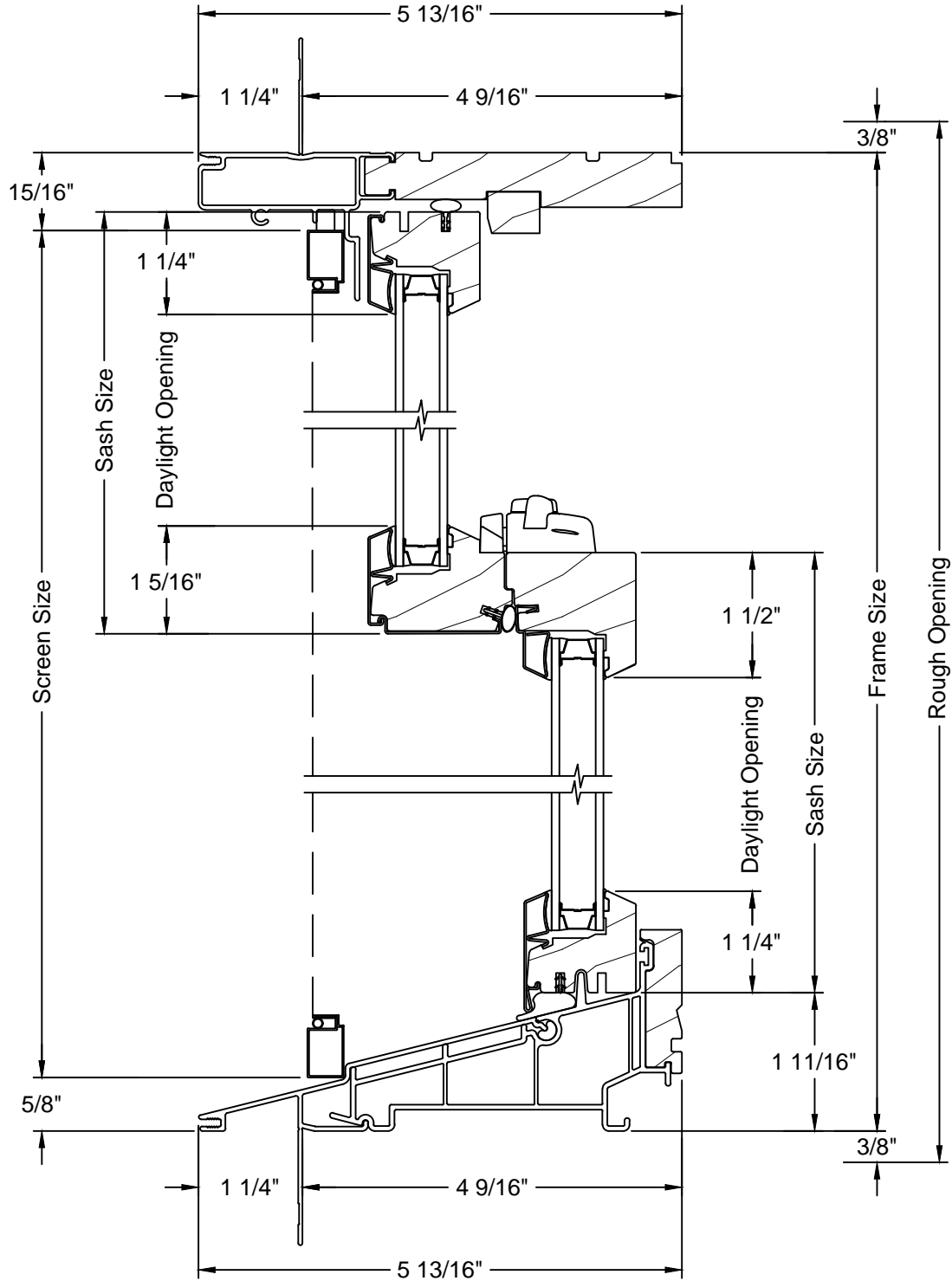
Standard Heights For The W-2500 Clad Double-Hung Window Unit:
36", 40", 48", 52", 56", 60", 64", 68", 72", 76".

Nominal Widths For The W-2500 Clad Double-Hung Window Unit:
19 1/4", 23 1/4", 27 1/4", 31 1/4", 35 1/4".

Nominal Heights For The W-2500 Clad Double-Hung Window Unit:
36 1/4", 41 1/4", 47 1/4", 53 1/4", 59 1/4", 65 1/4", 71 1/4".

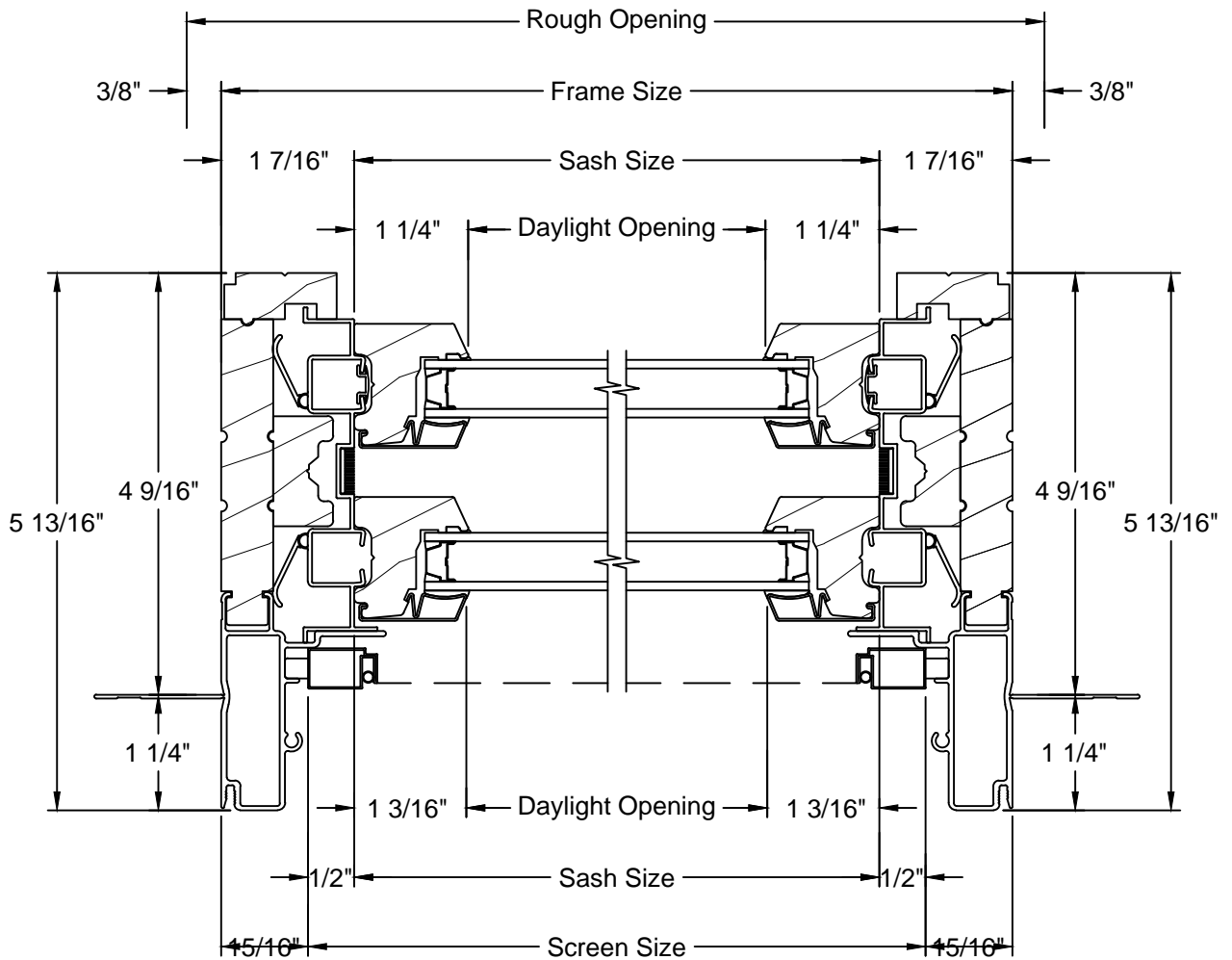


OPERATOR - VERTICAL SECTION



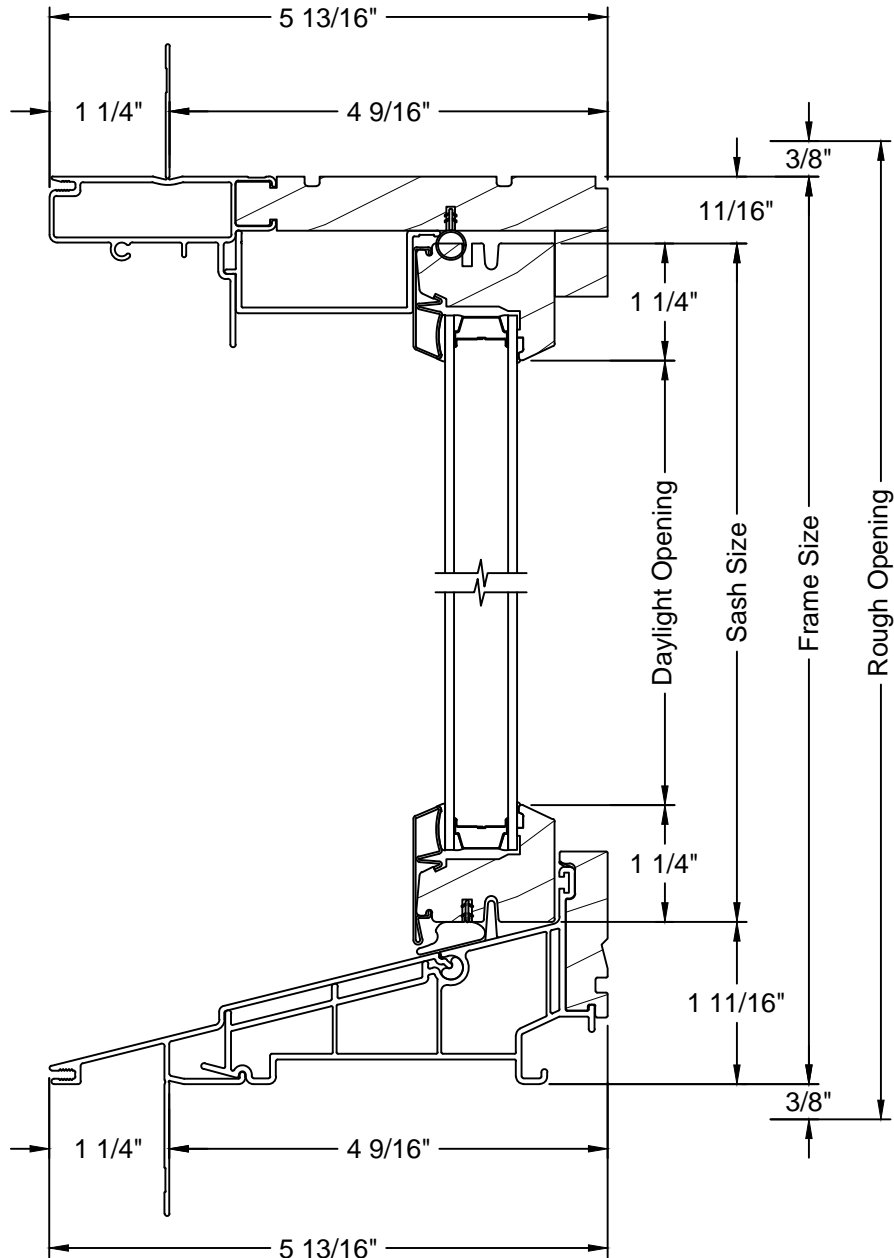


OPERATOR - HORIZONTAL SECTION





IN-SASH PICTURE/TRANSOM - VERTICAL SECTION





IN-SASH PICTURE/TRANSOM - HORIZONTAL SECTION

