

### PRODUCT SPECIFICATIONS

Elkay Quartz Classic<sup>®</sup> 25" x 18-1/2" x 11-13/16", Undermount Laundry Sink with Perfect Drain. Sink is molded with up to 80% natural quartz and high performance acrylic resins that are non-porous providing superior heat, scratch, fade and stain resistance. Naturally sound deadening and Rear Center drain placement.



<b>Installation Type:</b>	Undermount
<b>Material:</b>	Quartz
<b>Special Features:</b>	Perfect Drain
<b>Finish:</b>	Bisque (BQ), Black (BK), Dusk Gray (GY), Greige (GR), Greystone (GS), Mocha (MC), Putty (PT), White (WH)
<b>Number of Bowls:</b>	1
<b>Sink Dimensions:</b>	25" x 18-1/2" x 11-13/16"
<b>Bowl 1 Dimensions:</b>	22-5/16" x 16-7/16" x 11-13/16"
<b>Drain Size:</b>	3-5/8" (92mm)
<b>Drain Location:</b>	Rear Center
<b>Minimum Cabinet Size:</b>	30"
<b>Mounting Hardware:</b>	Part # 54300404 included
<b>Template Included:</b>	Yes
<b>Cutout Template #:</b>	<a href="#">0000001437</a>

**Included with Product:** One LKPDQ1CR Perfect Drain and strainer.

AMERICAN PRIDE. A LIFETIME TRADITION.  
Like your family, the Elkay family has values and traditions that endure. For almost a century, Elkay has been a family-owned and operated company, providing thousands of jobs that support our families and communities.

**Product Compliance:** CSA B45.5/IAPMO Z124  
**Accessory:** ASME A112.18.2/CSA B125.2

Template is available for download at [elkay.com](#). CAD software will be required to open the template.

#### Cutout Dimensions for Drop-in Installation:

22.339" x 16.429" w/ 1" Radius

**Perfect Drain:** Seamlessly molded collar eliminates the gap between a traditional drain and the sink for a sanitary and gap free installation. An InSinkErator<sup>®</sup> garbage disposer can be installed on either sink bowl for user convenience. **Patent Pending**



Sinks are listed by IAPMO<sup>®</sup> as meeting the applicable requirements of the Uniform Plumbing Code<sup>®</sup>, International Plumbing Code<sup>®</sup>, and National Plumbing Code of Canada.

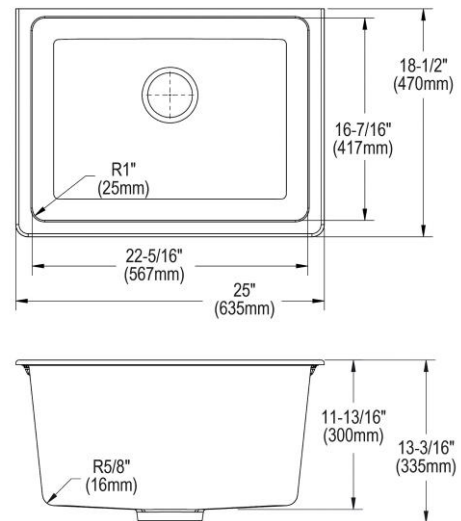
[Clean and Care Manual \(PDF\)](#)

[Installation Instructions \(PDF\) - 1000005238](#)

[Installation Instructions \(PDF\) - 1000003889\\_perfect-drain](#)

[Warranty \(PDF\)](#)

**Similar models are available with: ADA Depths**



PART: \_\_\_\_\_ QTY: \_\_\_\_\_

PROJECT: \_\_\_\_\_

CONTACT: \_\_\_\_\_

DATE: \_\_\_\_\_

NOTES: \_\_\_\_\_

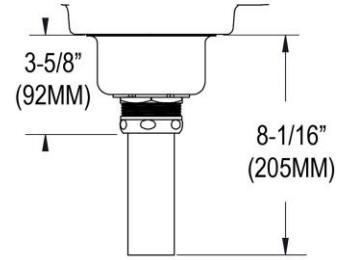
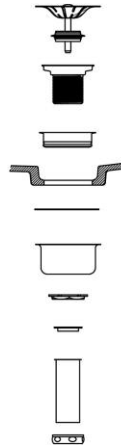
APPROVAL: \_\_\_\_\_

In keeping with our policy of continuing product improvement, Elkay reserves the right to change product specifications without notice. Please visit [elkay.com](#) for the most current version of Elkay product specification sheets. This specification describes an Elkay product with design, quality, and functional benefits to the user. When making a comparison of other producers' offerings, be certain these features are not overlooked.

**in sink erator**

Elkay<sup>®</sup> Perfect Drain<sup>™</sup> sinks are designed and approved for compatible disposers manufactured by InSinkErator<sup>®</sup> utilizing the Quick Lock<sup>®</sup> mounting configuration. Use of non-approved disposers may void Elkay warranty.

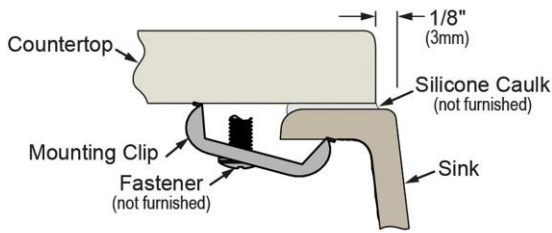
InSinkErator, Quick Lock and the mounting collar configuration are trademarks of Emerson Electric Co.



Sink with Drain Kit Installed

**Installation Profile:**

**UNDERMOUNT - 1/8" REVEAL**



Designed to affix to the underside of any solid surface countertop.

**OPTIONAL ACCESSORIES**

<b>Cutting Board:</b>	LKCBEG2217HW
<b>Drain:</b>	LKPDQ1LS
<b>Faucet:</b>	LK2500CR
<b>Soap Dispenser:</b>	LKGT1054

*In keeping with our policy of continuing product improvement, Elkay reserves the right to change product specifications without notice. Please visit [elkay.com](http://elkay.com) for the most current version of Elkay product specification sheets. This specification describes an Elkay product with design, quality, and functional benefits to the user. When making a comparison of other producers' offerings, be certain these features are not overlooked.*