

6" BAROMETRIC DRAFT REGULATOR

Owner's Manual
(Save this manual for future reference)



SAFETY INSTRUCTIONS

READ ALL INSTRUCTIONS CAREFULLY BEFORE STARTING THE INSTALLATION OR OPERATING THE UNIT. FAILURE TO FOLLOW INSTRUCTIONS MAY RESULT IN PROPERTY DAMAGE, BODILY INJURY, OR EVEN DEATH.

TO BE USED WITH SOLID FUEL BURNING APPLIANCES ONLY. (NO EXCEPTIONS)

DONOTUSETHISUNITINAMANUFACTURED HOME, MOBILE HOME, TENT, OR TRAILOR. (NO EXCEPTIONS)

SAFETY NOTICE: IF THIS UNIT IS NOT PROPERLY INSTALLED, A HOUSE/BUILDING FIRE MAY RESULT. FOR YOUR SAFETY, CONTACT LOCAL BUILDING OR FIRE OFFICIALS ABOUT PERMITS, RESTRICTIONS, AND INSTALLATION REQUIREMENTS FOR YOUR AREA.

For customer service: call (800)750-2723 or write 227 Industrial Park Rd. P.O. Box 151 South Pittsburg, TN 37380

SAFETY INSTRUCTIONS

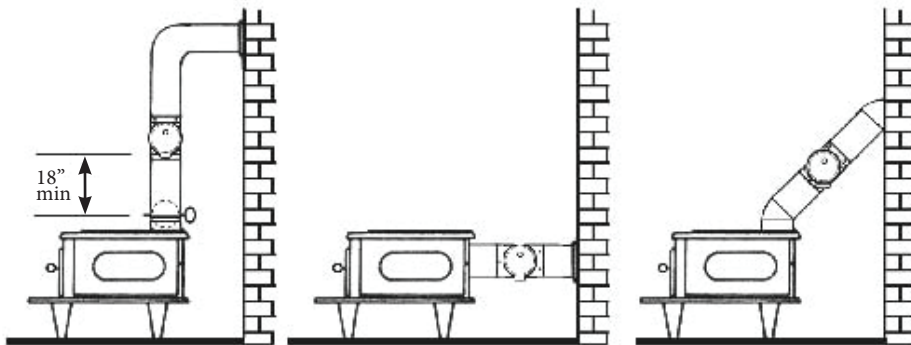
READ ALL INSTRUCTIONS CAREFULLY.

1. The installation of this unit must comply with your local building code rulings. Please observe the clearances to combustibles as specified in the stove manufacturer's manual.
2. Do not install this unit in a manufactured home, mobile home, tent or trailer (NO EXCEPTIONS).
3. Always connect this unit to a chimney that is vented to the outside. Never vent to another room or inside a building.
4. The paint used on your draft regulator may give off smoke and/or odor during the first fires. This may occur during the first dozen fires until the paint has cured. This will end and not reoccur after paint has cured. Persons with lung conditions or owners of susceptible domestic pets (such as birds) should take prudent precautions. Open windows and doors as needed to clear smoke and odor.
5. Be sure that your chimney is safely constructed and in good repair. Have the chimney inspected by the fire department or a qualified inspector. Your insurance company may be able to recommend a qualified inspector.
6. Creosote or soot may build up in the tee section, chimney connector and/or chimney and cause a house/building fire. Regularly Inspect this unit, the chimney connector, and chimney twice monthly during the heating season and clean if necessary.
7. Do not use a Draft Regulator that has a smaller diameter than the flue outlet on your stove, heater, or fireplace.
8. Do not restrict the air movement inside or through the Draft Regulator.
9. Do not install on a stove with an operating temperature of less than 350 degrees Fahrenheit.
10. Do not install the Draft Regulator closer than 18" to any combustible object or material.
11. Use at least three (3) sheet metal screws at each connection to secure the Draft Regulator to the flue pipe.
12. Do not touch the Draft Regulator while it and the heating appliance is in operation. The surfaces are hot and can cause severe burns. Keep children, clothing, and combustible materials away from the unit.
13. Maintain all clearance requirements of the heating appliance (see the appliance's owner's manual.)

NOTE: A professional, licensed heating and cooling contractor should be consulted if you have questions regarding the installation of this appliance.

INSTALLATION INSTRUCTIONS

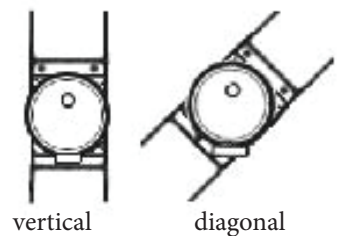
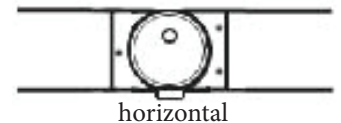
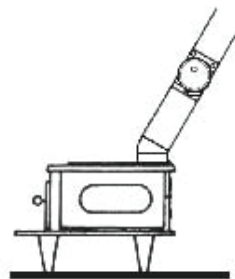
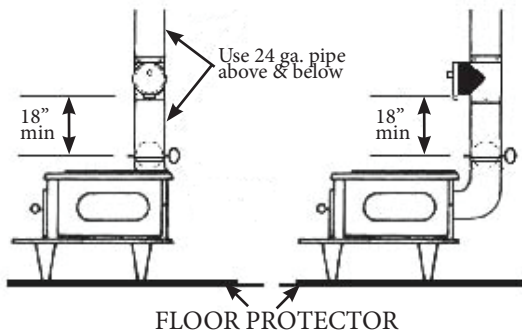
1. Check the Owner's Manual for your stove and install according to the stove manufacturer's instructions. If there are no instructions for draft control devices, follow the instructions below. **NOTE:** For proper operation, the chimney must be clean and free of any obstructions before installation.
2. Do not reduce any minimum clearances which may be listed in the stove manufacturer's manual. Check your local and state building codes for proper and safe installation.
3. **This product is intended to overcome excessive draft.** Your chimney should be capable of developing at least 0.045" w.c. (measured in inch water column) draft below the Barometric Draft Regulator after installing the unit.
4. Install the Barometric Draft Regulator as close to the stove as possible. If a manual damper (wood and coal stoves) is necessary, the Draft Regulator should be installed **ABOVE** and no closer than 18" from the manual damper, fig. 1.
5. All stove pipe above or below your Draft Regulator must be 24-gauge or heavier to provide adequate support. Any horizontal run of pipe must pitch upward toward the chimney at least 1/4" per foot of horizontal run. All stove pipe and/or elbow joints must be secured by at least **three (3)** sheet-metal screws.
6. The Barometric Draft Regulator may be installed with the crimped end up or down (depending on the stove arrangement) fig. 2. It may be installed in a horizontal, angled or vertical run of connector pipe provided the hinge pins are aligned horizontally and the face of the regulator is plumb, fig. 3. To re-orient the damper position loosen the machine screw at the bottom and remove the damper from the t-fitting. Reposition the damper for proper operation and retighten the machine screw.
7. Do not over fire. Refer to your heating appliance owner's manual regarding over firing.
8. Do Not install the Barometric Draft Regulator closer than 18" from any combustible material.



Crimped end of T-fitting may be installed up or down



Loosen screw to remove damper for re-orientation



OPERATING INSTRUCTIONS

Chimney draft is critical to the proper operation and control of wood or coal burning stoves. Too much draft will cause fuel to be quickly consumed, create excessive heat and potentially cause the stove to over fire. Proper draft for most coal and wood burning stoves will be measured with a draft gauge reading of between 0.04" to 0.08" w.c.

The Barometric Draft Regulator is designed to be easily adjusted and provide proper operating draft levels.

CAUTION: BURN HAZARD. AS A CONNECTED COMPONENT OF A HEATING APPLIANCE, THE SURFACES AND CONTROLS OF THE DRAFT DAMPER ARE HOT DURING OPERATION. DO NOT TOUCH WITHOUT PROPER PERSONAL SAFETY EQUIPMENT.

The Barometric Draft Damper consists of a hinged vane and a counter balance assembly to control the opening of the vane. The counter balance has a weight attached to a threaded screw. This passes through a threaded hole in the vane with a knurled knob and lock nut situated on the outside of the vane.

To adjust the draft setting:

1. Turn the knurled knob counter clockwise for less draft or clockwise to increase draft.
2. When the desired draft setting has been reached, lock the counter balance in place by tightening the lock nut against the vane.

As stated above, the best setting for a wood or coal burning stove is a draft gauge reading of 0.04" to 0.08" w.c. If a draft gauge is not available, the barometric draft regulator may be set as follows:

1. Prepare a fire in your stove.
2. With a good fire burning open the stove door slightly.

CAUTION: BURN HAZARD. ALL THE SURFACES AND CONTROLS ARE HOT DURING OPERATION. USE PERSONAL SAFETY EQUIPMENT AND TOOLS WHEN ADJUSTING.

3. Wear fireplace gloves or similar personal protective equipment to adjust the knurled knob. Turn the knob counter clockwise for less draft and clockwise for more draft.
4. Adjust the draft setting so that the fire does not diminish or cause smoke-back from the stove. You want to use as low a draft setting as possible without affecting the fire level or causing smoke-back.
5. For best combustion efficiency, the stove pipe stack temperature below the Barometric Draft Regulator should be between 350° to 450° F. for seasoned (dry) wood. Consult the stove manufacturers' instruction manual for proper settings when burning coal.

6. To increase the heat levels, turn the knurled knob clockwise to increase the draft.
7. When the desired setting has been reached, tighten the lock nut against the vane of the damper.
8. Make sure to close and latch the door of your stove.
9. Follow your stove manufacturer's instructions for setting the heat output from your stove.

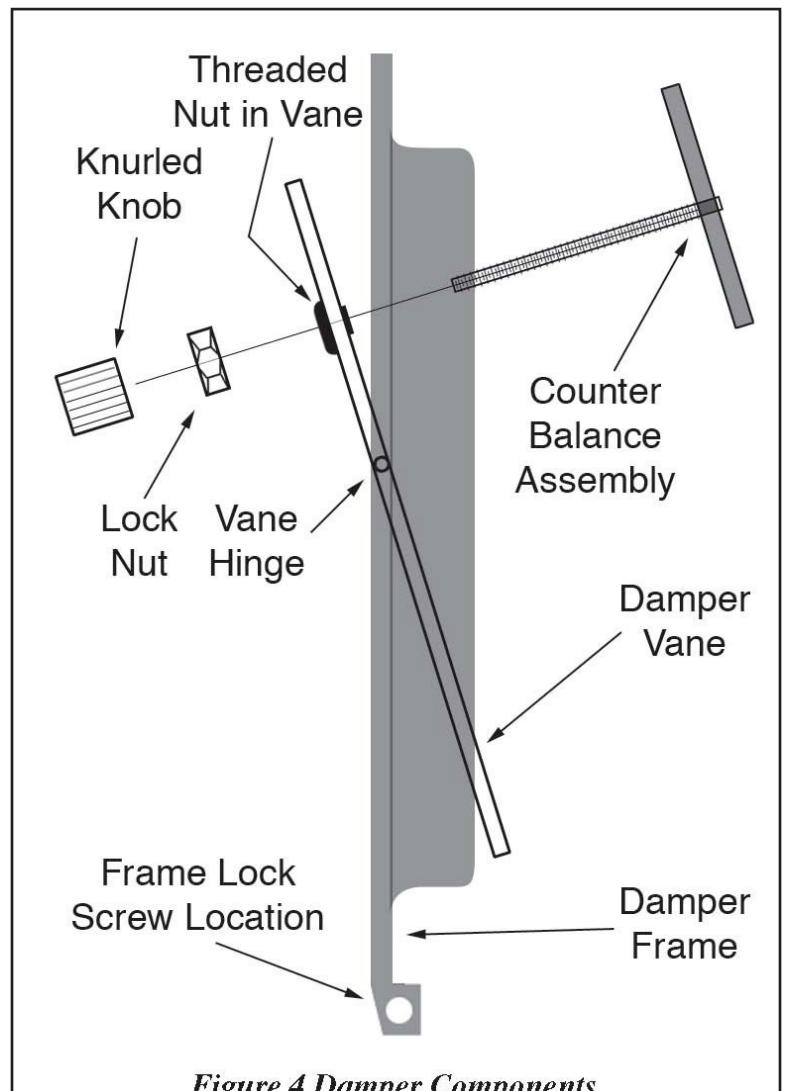


Figure 4 Damper Components