

LG COOKING

LCG3011ST / LCG3611ST LCG3011BD / LCG3611BD

Gas Cooktop with SuperBoil™

SuperBoil™ 17,000 BTU burner

5 cooktop burners

Heavy duty Cast iron Grates

Sealed Gas Burner



SUMMARY	
No. of Burners	5
COOKTOP FEATURES	
Cooktop Burner Type	Sealed Gas Burner
No. of Burners	5
Burner/BTU - Left Rear	9100 / 9100
Burner/BTU - Right Rear	5000
Burner/BTU - Left Front	9100 / 9100
Burner/BTU - Right Front	12000 / 9500
Center (Warming Zone) (BTU)	17000 / 11000
Burner Simmer / BTU - Left Rear	1600
Burner Simmer / BTU - Right Rear	1300
Burner Simmer / BTU - Left Front	1600
Burner Simmer / BTU - Right Front	2200
Center (Warming Zone)	2300
CONTROL	
Cooktop Control Type	Knob
Control Location	Front-Center
DIMENSIONS / CLEARANCES / WEIGHT (30" COOKTOP)	
Product (W x H x D)	30" x 3 3/4" x 21 11/16"
Cut-out (W x H x D)	28 1/2" x - x 19 11/16"
Packing (W x H x D)	34 9/16" x 10 1/2" x 25 31/32"
Product Weight (lbs)	44
Shipping Weight (lbs)	54
DIMENSIONS / CLEARANCES / WEIGHT (36" COOKTOP)	

Product (W x H x D)	36" x 3 3/4" x 21 11/16"
Cut-out (W x H x D)	33 15/16" x - x 19 11/16"
Packing (W x H x D)	40" x 10 1/2" x 25 31/32"
Product Weight (lbs)	50
Shipping Weight (lbs)	62
POWER/RATINGS	
Amp at 240V	17.1A
kW at 120V	120V 60Hz / 0.3A
Requirements	120 / 240 VAC, 120 / 208 VAC
APPEARANCE	
All Available Colors	Stainless Steel, Black Stainless Steel
Handle/Knobs	Stainless Steel
Knobs	Aluminum
ACCESSORIES	
Conversion Kit	Yes
LIMITED WARRANTY	
Parts & Labor	1 Year
UPC CODES	
LCG3611ST	048231317290
LCG3011ST	048231317306
LCG3611BD	048231340526
LCG3011BD	048231340519

LG COOKING

LCG3011ST / LCG3611ST LCG3011BD / LCG3611BD

Gas Cooktop with SuperBoil™

QUICK INSTALL & CLEARANCES

For full installation directions/clearances please refer to the corresponding User Manual and Installation Guide.

30" Gas Cooktop

DIMENSIONS

Depth	21-11/16"
Height	3-3/4"
Width	30"
Cutout Width	28-1/2"
Cutout Depth	19-11/16"
Minimum Spacing	2-3/4" (Back), 11" (Left), 11" (Right), 1-5/8" (Front)

POWER SOURCE

Amp at 240V	17.1A
kW at 120V	120V 60Hz / 0.3A
Requirements	120 / 240 VAC, 120 / 208 VAC

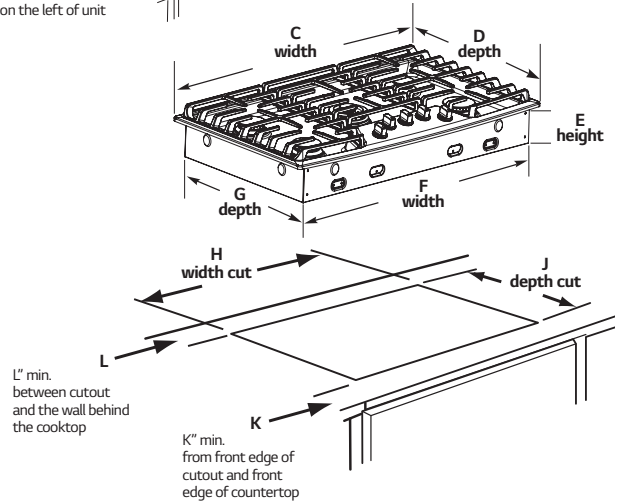
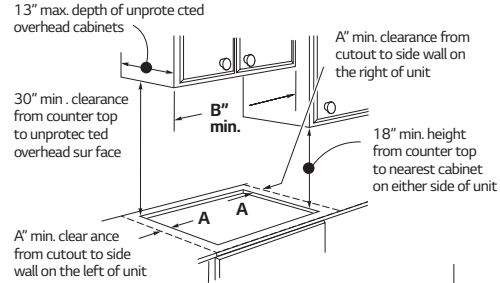
36" Gas Cooktop

DIMENSIONS

Depth	21-11/16"
Height	3-3/4"
Width	36"
Cutout Width	33-15/16"
Cutout Depth	19-11/16"
Minimum Spacing	2-3/4" (Back), 11" (Left), 11" (Right), 1-5/8" (Front)

POWER/RATINGS

Amp at 240V	17.1A
kW at 120V	120V 60Hz / 0.3A
Requirements	120 / 240 VAC, 120 / 208 VAC

PREPARING THE INSTALLATION LOCATION

30" Gas Cooktop

A	11-13/16"
B	30"
C	30"
D	21-11/16"
E	3-3/4"
F	28-1/4"
G	19-3/8"
H	28-1/2"
I	13" (Max)
J	19-11/16"
K	1-5/8"
L	2-3/4"

36" Gas Cooktop

A	11-13/16"
B	36"
C	36"
D	21-11/16"
E	3-3/4"
F	33-5/8"
G	19-3/8"
H	33-15/16"
I	13" (Max)
J	19-11/16"
K	1-5/8"
L	2-3/4"