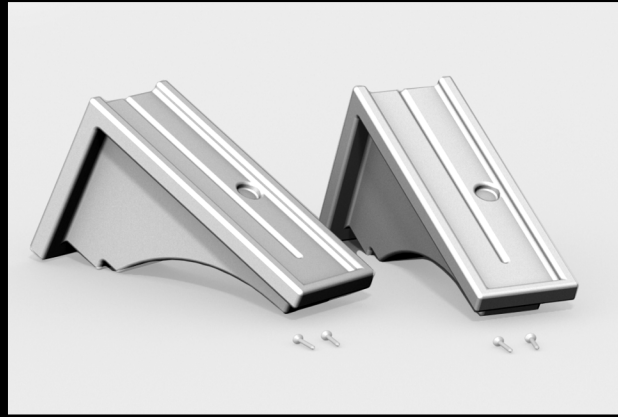


Fairfield Decorative Brackets (part # 5856)

MIS032



PACKAGE CONTENTS: 2x Decorative Supports, 4x 1 inch steel screws

COLORS: Black, Clay, or White

DIMENSIONS: 3.7" W x 10.9"D x 6" H

IMPORTANT NOTE:

- The molded brackets are decorative only and don't offer any support for the planter.

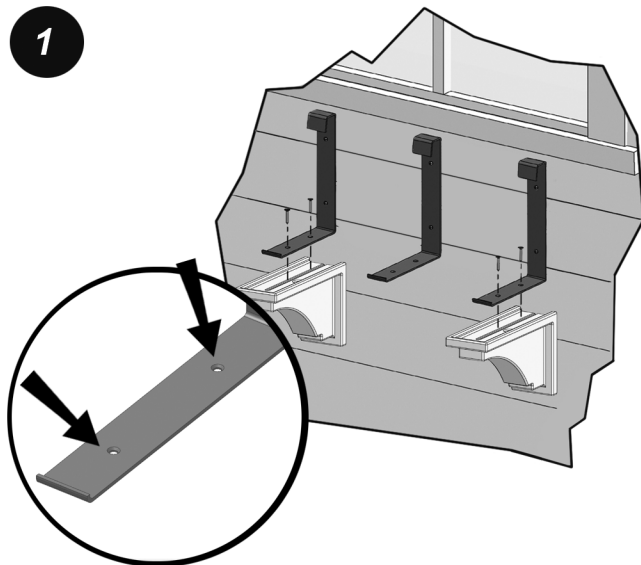
In the event of missing or defective parts, please email info@gomayne.com or call our customer service department toll free at 866-363-8834 (available Monday through Friday, 8am-5pm EST).

General Information:

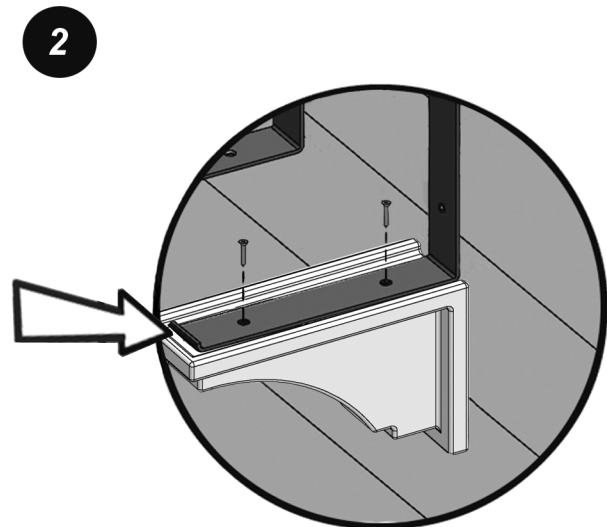
- Read instructions carefully before beginning assembly.
- For use with Mayne's Fairfield and Cape Cod Window Box collections.
- To clean the product, for best results use a soap solution and high-pressure water.

Tools Required:

- Cordless drill
- Phillips bit
- 1/4 inch drill bit



Some window boxes may have wall mount brackets that need pre-drilling. Drill 2 holes about 5 inches apart using a 1/4 inch drill bit. We recommend countersinking the holes so the screw head sits flush with the bracket. Secure each decorative bracket to the bottom of the wall mount brackets using two 1 inch screws.



The front lip of the wall mount bracket should sit flush against the inside face of the decorative bracket (indicated by the arrow). The molded brackets are only decorative so there is no need to over tighten the screws.

MAYNE[®]
Outdoor Products of Distinction
www.gomayne.com