

PERFORMANCE PLATINUM™



The new degree of comfort®

PERFORMANCE PLATINUM™ Super High Efficiency Condensing Tankless Gas Water Heaters

Easy Installation

- PVC Vent runs up to 60' (2"), 150' (3")
- Enhanced design is up to 20% smaller and lighter making one-person installs even easier

Ready for Retrofits

- **Industry Best!** 1/2" side to side clearance allows you to safely work in spaces the competition can't
- 1/2" Gas line compatibility (subject to local code)

Key Features

- **Rheem® Exclusive!** Hot-start Programming™ ensures the unit is in a ready state between back-to-back usage, minimizing any cold water bursts
- Built-in EcoNet® Wi-Fi technology for direct control from your device (on select models)
- LeakGuard® – All-inclusive leak detection and prevention system that detects any leak that comes from the unit (on indoor Wi-Fi models)



Vent termination included.

Specifications

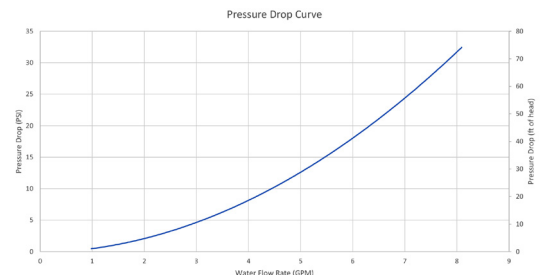
Rheem Model Number	ECOH160DVLN-3		
Built-in LeakGuard™ Model Number		ECOH180DVELN-3 (Wi-Fi Model)	ECOH200DVELN-3 (Wi-Fi Model)
Gas Input Rate	MAX	157,000 BTU/h	180,000 BTU/h
	MIN	11,000 BTU/h	11,000 BTU/h
Uniform Energy Factor (UEF)		0.93	
Gallons Per Minute (GPM)	MAX (35°F)	8.4	9.0
	45°F Rise	6.7	7.7
	67°F Rise	4.6	5.2
Number of Bathrooms ¹		3	3 - 4
Temp. Range	100°F - 140°F		
Temp. Setting from Factory	120°F		
High Temp. Upgrade Available	No		
Freeze Protection	-30°F Air Intake ² , -4°F Ambient		
Installation Type	Indoor (Outdoor Conversion Kit sold separately: ECOH-X)		
Heat Exchanger Material	Primary: Copper – Secondary: Stainless Steel		
Minimum Activation Flow	0.4 GPM		
Minimum Continuous Flow	0.26 GPM		
Maximum Altitude	7,800 ft.		
Ultra Low NOx	Meets 14 ng/J NOx requirements - SCAQMD Rule 1146.2 compliant		
Warranty	15 year Heat Exchanger 5-Year Parts 1-Year Labor		
Height	23.7"		
Width	17.7"		
Depth	9.8"		
Weight (Lbs.)	52.9		
Venting Diam. Allowed	2" / 3"		
Max. Single Vent Run (straight pipe)	60 ft (2") / 150 ft (3")		
Venting Materials	Sched. 40 PVC, CPVC, Polypropylene		
Manifold Controls (max. units)	6 Units ³		
Controls	Built-in digital display		
Power Supply	120V 60Hz		
Max. Power Consumption	85W (Normal use), 0.7 Amps		
	132W (Antifreeze), 1.1 Amps		
	3.5W (Standby), 0.03 Amps ⁴		
Gas Connection	3/4" NPT		
Hot Water Connection	3/4" NPT		
Cold Water Connection	3/4" NPT		
Condensate Connection	1/2" NPT		
Vent Connections Diameter	2" Band Connections (Adapter required to vent with 3" PVC from unit)		

PERFORMANCE PLATINUM Super High Efficiency Condensing Tankless

Indoor Models
(Outdoor Conversion Kit Available:
ECOH-X)
11,000-199,900 BTU/h
Natural Gas and
Liquid Propane Models*



Clearances	
Top / Bottom	12"
Front	1/2" ⁵
Sides	1/2"
Back / From Vent Pipe	0"



¹ Based on simultaneous showers using 2.5 GPM flow rate pre-mixed with cold water line. Flow rates vary depending on temperature of incoming cold water and water heater set temperature. Refer to flow rate curves for accurate sizing. ² For indoor application, this is the temperature of outdoor intake air. ³ Manifolds with standard RJ11 communication cables. ⁴ If anti freeze is on and combustion is on, total W will be 217W (85+132). ⁵ Recommended 24" clearance for service.

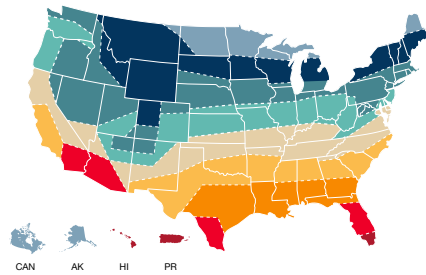
*Swap P for N in model number for Liquid Propane model

PERFORMANCE PLATINUM™ Super High Efficiency Condensing Tankless Gas Water Heaters



The new degree of comfort.™

U.S. Ground Water Temperature Zone Map



Average Flow Rates (GPM) by Application

Low Flow Faucet	0.5
Bathroom Faucet	1
Kitchen Faucet	1.5
Shower	2
Dishwasher	2
Washing Machine	3

Flow rates may vary.

Flow Rate Capacity Table by Zone (Gallons Per Minute - GPM)

Use the U.S. Ground Water Temperature Map to locate your zone. Then use the Flow Rate Capacity Table to determine model flow rate by zone. Flow rates calculated for tankless set temperature of 120°F with a mixed shower temperature of 105°F. Ground water temperatures vary seasonally.

MODEL #	Zone 1 37°F	Zone 2 42°F	Zone 3 47°F	Zone 4 52°F	Zone 5 57°F	Zone 6 62°F	Zone 7 67°F	Zone 8 72°F	Zone 9 77°F
ECO200DVEL-3	4.6	4.9	5.3	5.6	6.1	6.6	7.2	8.0	8.9
ECO180DVEL-3	4.2	4.4	4.7	5.1	5.5	6.0	6.5	7.2	8.0
ECO160DVL-3	3.6	3.9	4.1	4.4	4.8	5.2	5.7	6.3	7.0

Venting

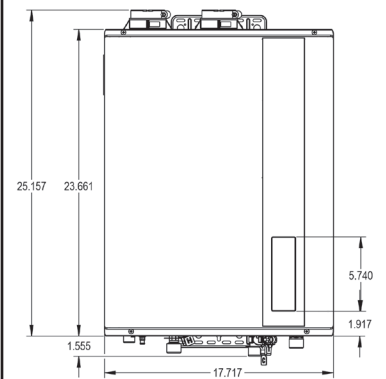
SINGLE UNIT: MAX. EQUIVALENT VENT LENGTHS - STRAIGHT PIPE		
Number of 90° Elbows	Max Length 2" straight pipe	Max. length 3" straight pipe
0	60 ft. (18.3 m)	150 ft. (45.7 m)
1	54 ft. (16.5 m)	144 ft. (43.9 m)
2	48 ft. (14.6 m)	138 ft. (42.7 m)
3	42 ft. (12.8 m)	132 ft. (40.2 m)
4	36 ft. (11.0 m)	126 ft. (38.4 m)
5	30 ft. (9.1 m)	120 ft. (36.6 m)
6	24 ft. (7.3 m)	114 ft. (34.7 m)

Equivalent Ft. of Elbows		
	2" Pipe	3" Pipe
90° Elbow	6 ft (1.83 m)	6 ft (1.83 m)
45° Elbow	3 ft. (0.9 m)	3 ft. (0.9 m)

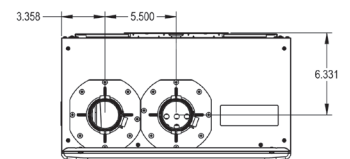
Venting Materials Allowed: Schedule 40 PVC, CPVC, Polypropylene

Min. Vent Length Straight Pipe	
Number of 90° Elbows	Min. Length 2" 3" pipe
1	1.0 ft (0.3 m)

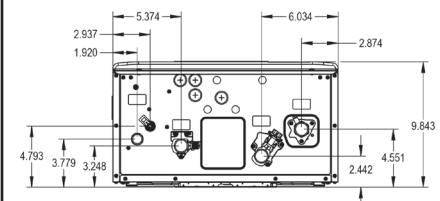
Dimensions



TOP VIEW



BOTTOM VIEW



Hanging bracket, pressure relief valves, and bird screens are included with water heater.

Parts & Accessories

Condensate Neutralizer	Recirculation Pump	Pipe Cover	Horizontal Vent Termination	Concentric Vent Termination	AllClear® Water Treatment System	Manifold Cables	Outdoor Conversion Kit	Isolation Valve Kit
RTG20329AR (optional)	AP17920	RTG20329AT	2" US: SP21069G 3" US: SP21069E	2" - SP20897 3" - SP20245	RTG20251	RCPN-AMP03-0013111101-0003 (48")	ECO-H-X	RTG20326

In keeping with its policy of continuous progress and product improvement, Rheem reserves the right to make changes without notice.