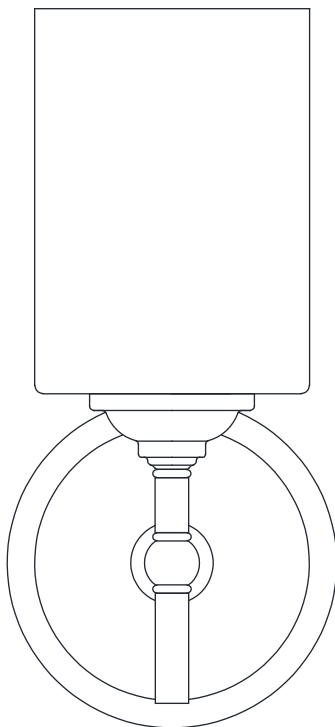


USE AND CARE GUIDE

1 LIGHT VANITY



Questions, problems, missing parts, Before returning to the store,
call Home Decorators Collection Customer Service
8 a.m. - 7 p.m., EST, Monday - Friday, 9 a.m.- 6 p.m., EST, Saturday

1-800-986-3460

WWW.HOMEDEPOT.COM/HOMEDECORATORS

THANK YOU

We appreciate the trust and confidence you have placed in Home Decorators Collection through the purchase of this 1 light vanity. We strive to continually create quality products designed to enhance your home. Visit us online to see our full line of products available for your home improvement needs. Thank you for choosing Home Decorators Collection!

Table of Contents

Table of Contents	2	Hardware Included	3
Safety Information	2	Package Contents	4
Warranty	2	Installation	5
Pre-Installation	3	Care & Cleaning	7
Planning Installation	3	Troubleshooting	7
Tools Required	3		

Safety Information

- Read all instructions before assembling and installing.
- Consult a qualified electrician for installation of this fixture.
- If you have any non-electrical questions about this fixture, please contact our Customer Service Team at 1-800-986-3460 or visit www.HOMEDEPOT.com/HOMEDECORATORS.
- Please reference your SKU XXXX XXX XXX or (UPC 773546309967), SKU XXXX XXX XXX or (UPC 773546309950).
- Keep your receipt and these instructions for proof of purchase.



CAUTION: Before starting installation of this fixture or removal of a previous fixture, disconnect the power by turning off the circuit breaker or by removing the fuse at the fuse box.



IMPORTANT: Do not install this lighting system in wet locations.



IMPORTANT: Inspect the wire insulation for any cuts, abrasions, or exposed copper that have occurred during shipping. If there is a defect in the wire, do not continue the assembly process. Please call our Customer Service Team at 1-800-986-3460.

Warranty

LIMITED WARRANTY

WHAT IS COVERED

The manufacturer warrants this lighting fixture to be free from defects in materials and workmanship for a period of five (5) years from date of purchase. This warranty applies only to the original consumer purchaser and only to products used in normal use and service. If this product is found to be defective, the manufacturer's only obligation, and your exclusive remedy, is the repair or replacement of the product at the manufacturer's discretion, provided that the product has not been damaged through misuse, abuse, accident, modification, alteration, neglect, or mishandling.

WHAT IS NOT COVERED

This warranty shall not apply to any product that is found to have been improperly installed, set-up, or used in any way not in accordance with the instructions supplied with the product. This warranty shall not apply to a failure of the product as a result of an accident, misuse, abuse, negligence, alteration, faulty installation, or any other failure not relating to faulty material or workmanship. This warranty shall not apply to the finish on any portion of the product, such as surface and/or weathering, as this is considered normal wear and tear. The manufacturer does not warrant and specially disclaims any warranty, whether express or implied, of fitness for a particular purpose, other than the warranty contained herein. The manufacturer specifically disclaims any liability and shall not be liable for any consequential or incidental loss or damage, including but not limited to any labor/expense costs involved in the replacement or repair of said product.

Contact the Customer Service Team at 1-800-986-3460 or visit www.HOMEDEPOT.com/HOMEDECORATORS.

Pre-Installation

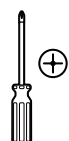
PLANNING INSTALLATION

Read all instructions before assembly and installation. To avoid damaging this product, assemble it on a soft, non-abrasive surface, such as carpet or cardboard. Inspect each part for defects that may have occurred during shipping. Keep your receipt and these instructions for proof of purchase.

TOOLS REQUIRED



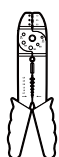
Safety goggles



Phillips screwdriver



Flathead screwdriver



Wire strippers



Wire cutters

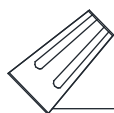


Ladder

HARDWARE INCLUDED



NOTE: Hardware not shown to actual size.



AA



BB



CC



DD

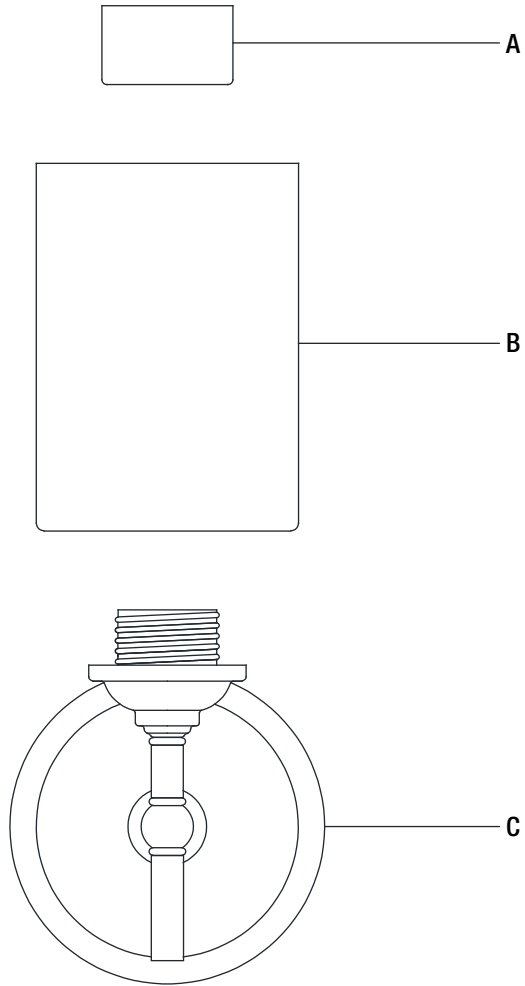


EE

Part	Description	Quantity
AA	Wire nut	3
BB	Mounting plate	1
CC	Outlet box screw	2
DD	Mounting screw	1
EE	Ground screw	1

Pre-Installation (continued)

PACKAGE CONTENTS



Part	Description	Quantity
A	Socket ring	1
B	Glass shade	1
C	Fixture body	1

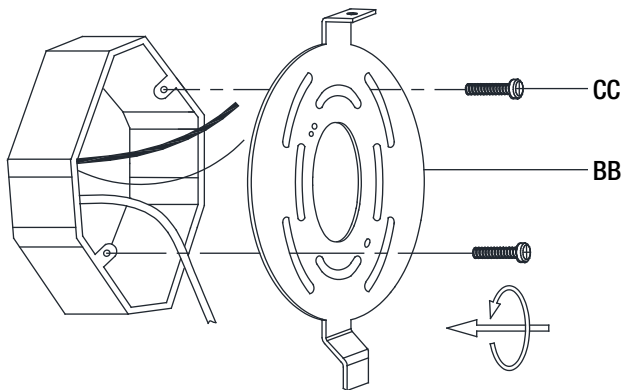
Installation

1 Installing the mounting plate

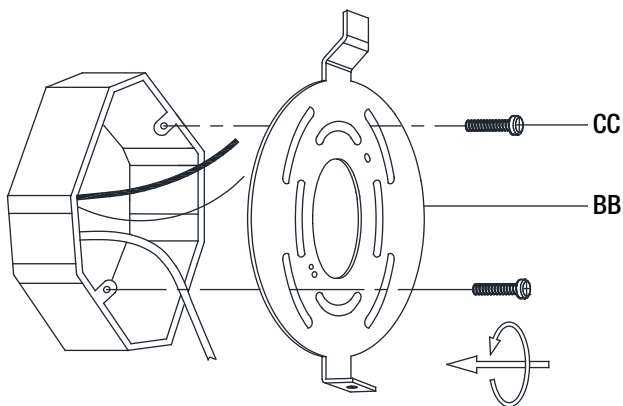
- Carefully unpack the fixture. Lay out all the parts on a clean surface.
- Attach the mounting plate (BB) to the junction box (not included) with the two outlet box screws (CC) provided.



NOTE: This vanity can be mounted up or down, make sure the mounting bracket (BB) is facing up or down as you desired.



OR

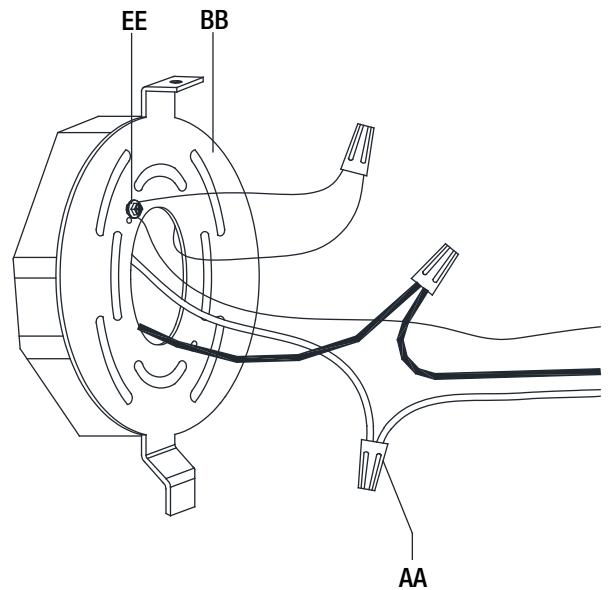


2 Connecting the wires

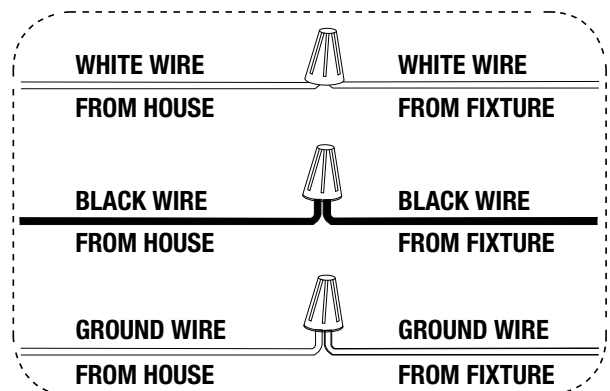


NOTE: Always use the wire nuts (AA) to connect wires and push all excess wires and connections back into the junction box (not included).

- Fasten the open end of the ground wire (bare copper or green wire) to the ground wire from the junction box or the ground screw (EE) on the mounting plate (BB).
- Connect the black wire of the power supply to the black wire of the fixture and connect the white wire of the power supply to the white wire of the fixture.



Connect the fixture wires as follows.



Installation (continued)

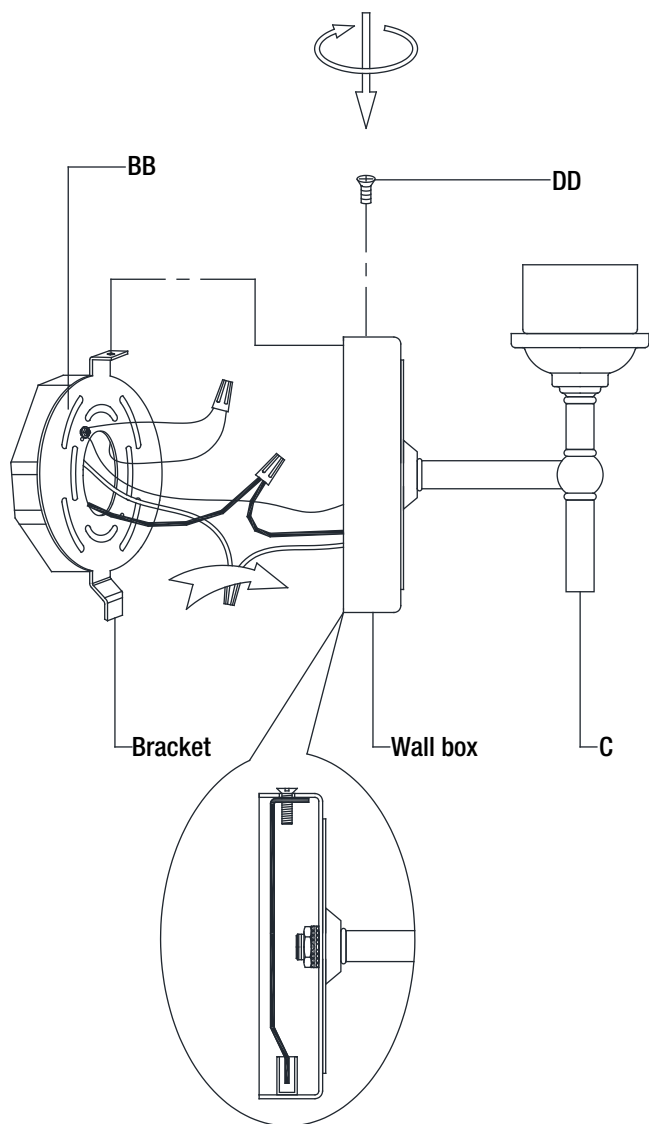
3 Installing the fixture body

- Raise the fixture body (C) to the wall and carefully tuck the wires inside the outlet box. spread the electrical splices so that the black wires are on one side of the outlet box and the white wires are on the other side.



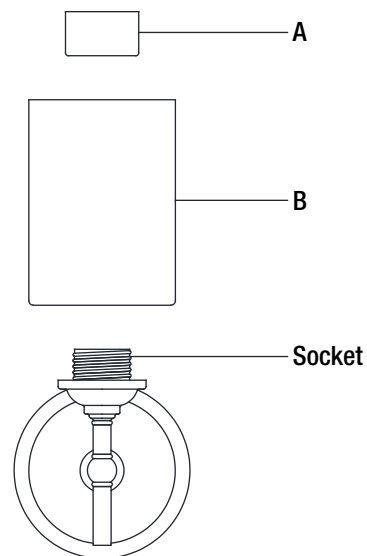
NOTE: The fixture can only be installed facing up or down.

- Insert the bracket of the mounting plate (BB) into the groove of the wall box at the fixture body (C), and then tighten the other end with a mounting screw (DD).



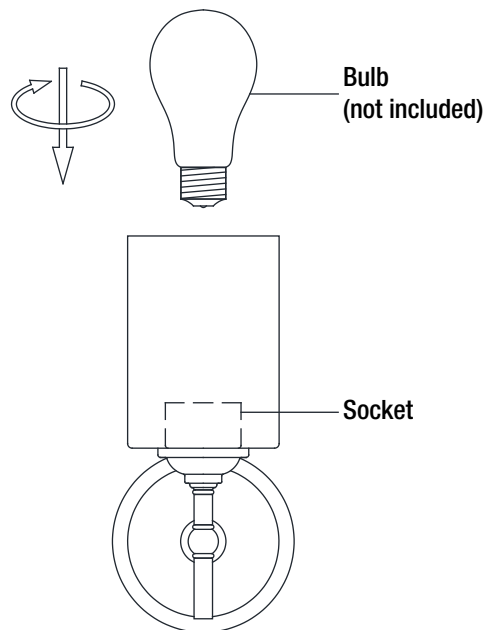
4 Installing the glass shade

- Place the glass shade (B) over the socket and secure with the socket ring (A).



5 Installing the bulb

- Install 120V, 60Hz, 60-watt max., A19/ ST64 (or CFL or LED equivalent) bulb (not included) to the socket of the fixture body (C).



Care and Cleaning

- Clean the light fixture carefully with a soft, dry cloth. Do not use any cleaners with chemicals, solvents, or harsh abrasives.

Troubleshooting

Problem	Possible Cause	Solution
□ The bulb will not light.	□ The bulb is burned out.	□ Replace the light bulb.
	□ The power is off.	□ Ensure that the power supply is turned on.
	□ The circuit breaker is off.	□ Ensure that the circuit breaker is set to the ON position.
□ The fuse blows or the circuit breaker trips when the light is turned on.	□ There are too many items on one circuit.	□ Unplug the other items on the circuit. □ Contact a qualified electrician or call the Customer Service Team at 1-800-986-3460.

HOME
DECORATORS
COLLECTION®

Questions, problems, missing parts? Before returning to the store,
call Home Decorators Collection Customer Service
8 a.m. - 7 p.m., EST, Monday - Friday, 9 a.m.- 6 p.m., EST, Saturday

1-800-986-3460

HOMEDEPOT.COM/HOMEDECORATORS

Retain this manual for future use.