

JGS750SEF/EEF

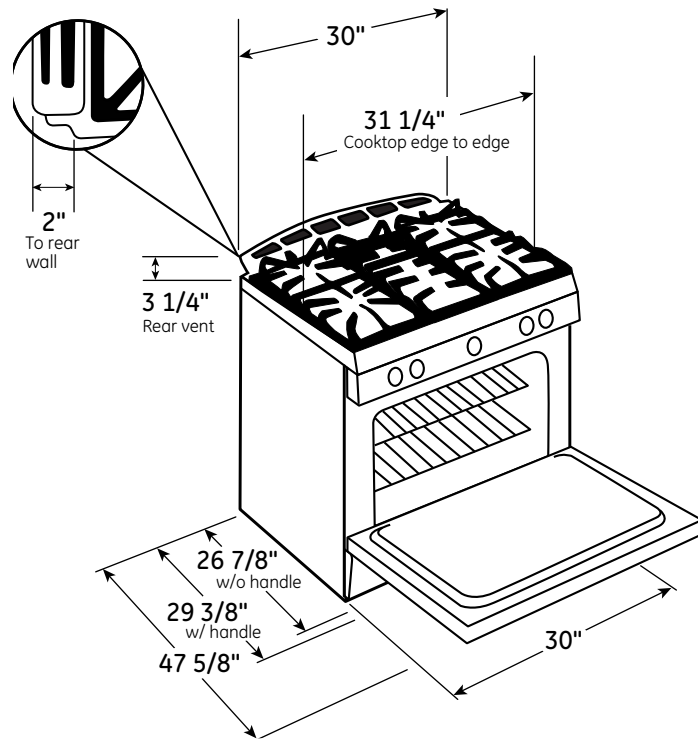
GE 30" Slide-In Gas Range

Dimensions and Installation Information (in inches)

Note: Door handle protrudes 3" from door face. Cabinets and drawers on adjacent 45° and 90° walls should be placed to avoid interference with the handle.

Note: Cabinets installed adjacent to slide-in ranges must have an adhesion spec of at least 194° temperature rating.

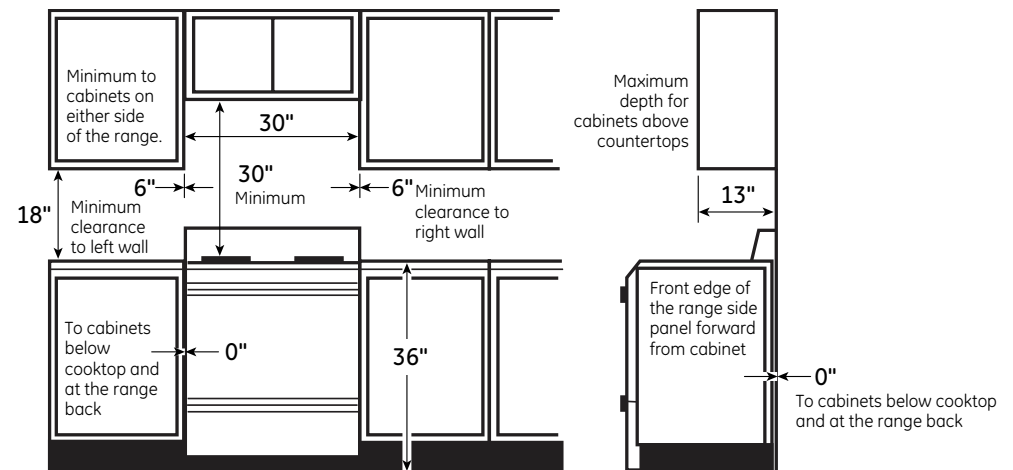
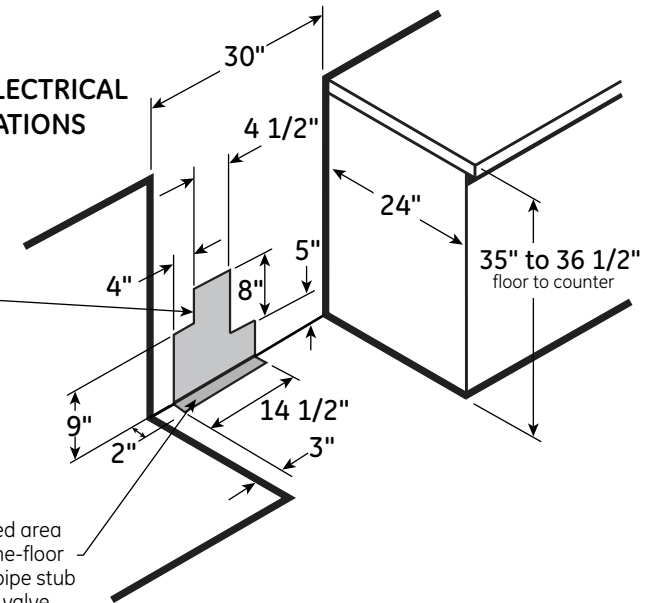
Installation Information: Before installing, consult installation instructions packed with product for current dimensional data.



GAS PIPE AND ELECTRICAL OUTLET LOCATIONS

Recommended area for 120V outlet on rear wall and area for through-the-wall connection of pipe stub and shut-off valve.

Recommended area for through-the-floor connection of pipe stub and shut-off valve.



For answers to your Monogram® or GE® appliance questions, visit our website at geappliances.com or call GE Answer Center® service, 800.626.2000.



All GE ranges are equipped with an Anti-Tip device. The installation of this device is an important, required step in the installation of the range.

Specification Revised 9/14

JGS750SEF/EEF

GE 30" Slide-In Gas Range

Features and Benefits

- 17,000 BTU Power Boil burner - Delivers intense heat for fast boiling
- Center round burner - Ideal for delicate foods and sauces
- Precise simmer burner - Delicate foods don't burn with low, even heat
- Gas convection oven - Circulates heat for high-quality results
- Self-clean oven - Cleans the oven cavity without the need for scrubbing
- Heavy-cast, edge-to-edge grates - Allow for easy movement of pans between burners
- 5.6 cu. ft. oven capacity - Enough room to cook an entire meal at once
- Black gloss oven interior - Enjoy a clean and sleek appearance
- Model JGS750SEFSS - Stainless steel
- Model JGS750EEFES - Slate



imagination at work