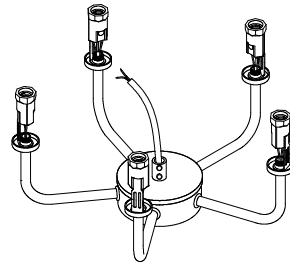
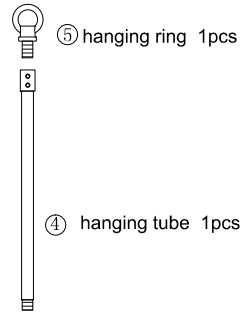


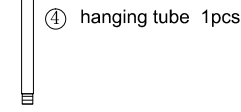
⑥ lampshade 1pcs



① light fixture 1pcs



⑤ hanging ring 1pcs



④ hanging tube 1pcs



X 1PCS



X 1PCS



X 3PCS



X 3PCS



X 3PCS



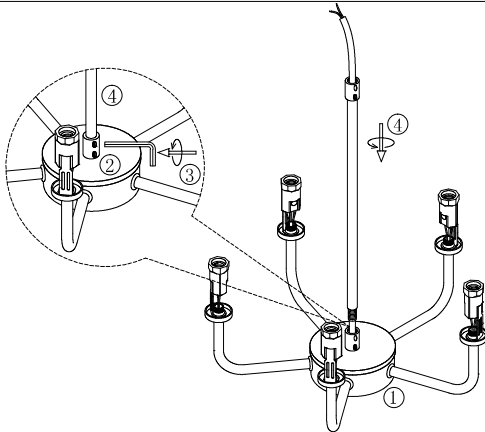
X 3PCS

② grub screw 2pcs

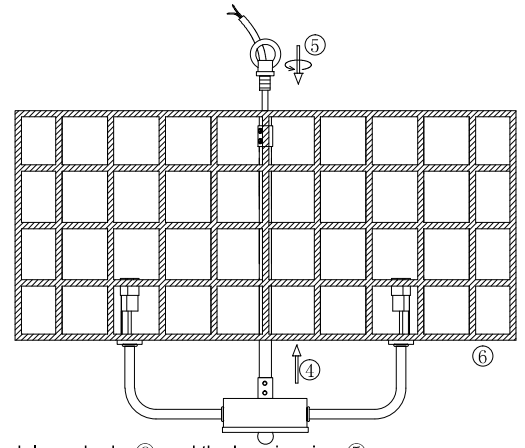
③ hex key 1pcs

⑧ canopy 1pcs  
⑨ cap nut 2pcs

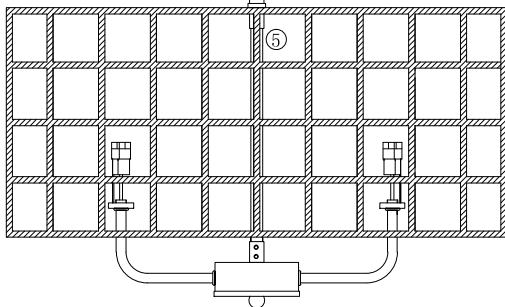
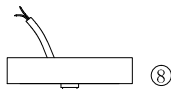
⑦ chain 1pcs  
⑫ cylinder tube 4pcs



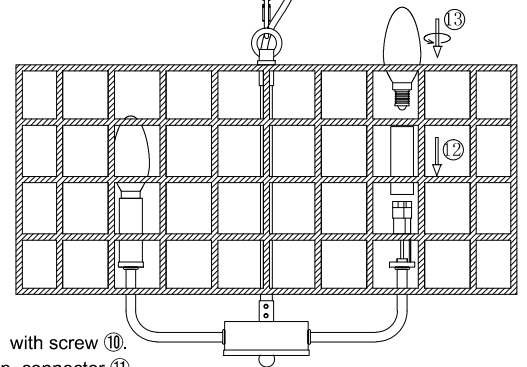
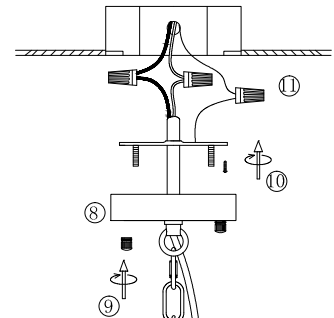
1. Let the wire go through the hanging tube ④, rotate to install the tube ④ on the fixture ①, fixed it with grub screw ② by hex key ③.



2. Let the wire and the tube ④ go through lampshade ⑥ and the hanging ring ⑤, rotate ring ⑤ to fix the tube ④ to the lampshade ⑥.



3. Hang the fixture ⑤ to the canopy ⑧ with chain ⑦, let the wire go through the chain ⑦ and canopy ⑧.



4. Install the bracket to the ceiling junction box with screw ⑩.  
5. Connect the wire to your home line with cap connector ⑪.  
6. Install the fixture to the bracket with cap nut ⑨.  
7. Put the cylinder tube ⑫ on the bulbholder and install the bulb ⑬.

## D0160M-5

Please read carefully before installation!!!

Note : Please make sure that the electricity is powered off during installation !

Only a professional electrician should install this kind of product !