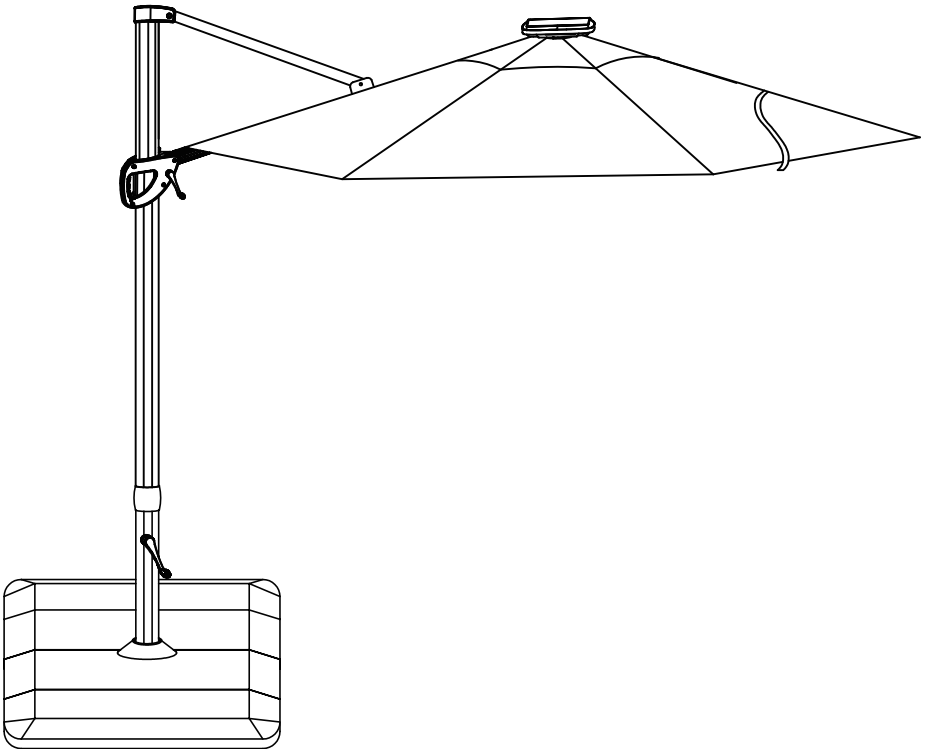


11ft LED Solar Round  
Offset Umbrella  
Assembly, Care & Use Manual

SKU#: FM-21RD  
FM-22SD  
FM-23BL  
FM-24GY

**IMPORTANT : RETAIN FOR FUTURE REFERENCE  
READ CAREFULLY**



The schematics in this manual are for assembly and operation illustration only.  
They may differ from the actual appearance.

Professional Service Team: [contactus24service@gmail.com](mailto:contactus24service@gmail.com) (303) 747-4321

If need any other assistance, Please feel free to contact us.

We are always here at your service.

# Contents

---

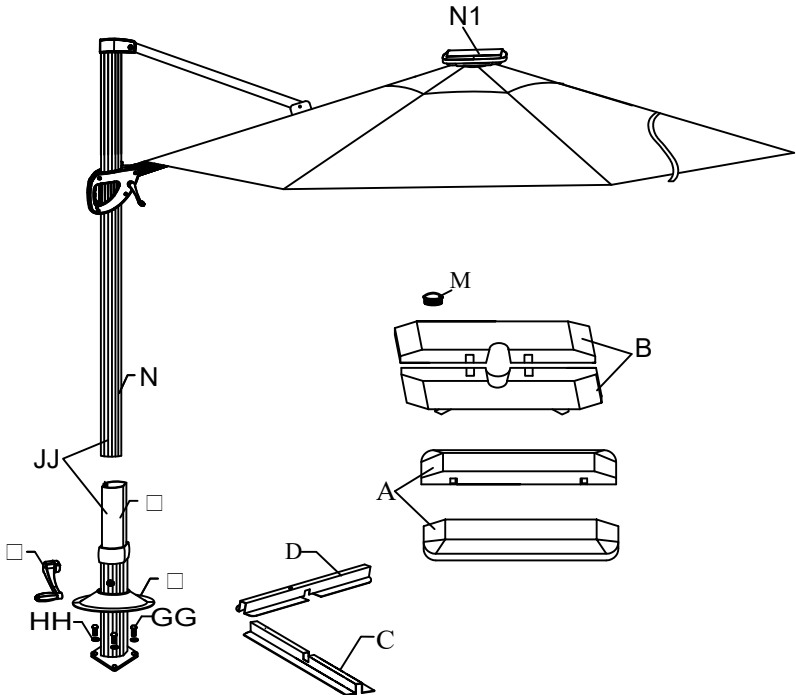
<b>Preparation</b> .....	<b>2</b>
<b>Hardware and Package Contents</b> .....	<b>3</b>
<b>Assembly Instructions</b> .....	<b>4-7</b>
<b>Operation Instructions</b> .....	<b>8-11</b>
<b>Battery Replacement</b> .....	<b>11-12</b>
<b>Warnings</b> .....	<b>13</b>

# Preparation

---




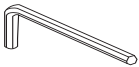
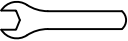
Estimated Assembly Time: 40 minutes

Tools Required for Assembly (not included): Open-end wrench or adjustable wrench and Phillips-head screwdriver



## Hardware Contents

---

Part	Picture	Description	Quantity
GG		Hex Bolt M10-1.5x25 A2-70	4
HH		Flat Washer M10 A2-70	4
JJ		Hex Bolt M8 A2-70	2
KK		Hexagon Wrench M8	1
PP		Outer Hexagon Wrench (M10)	1

## Package Contents

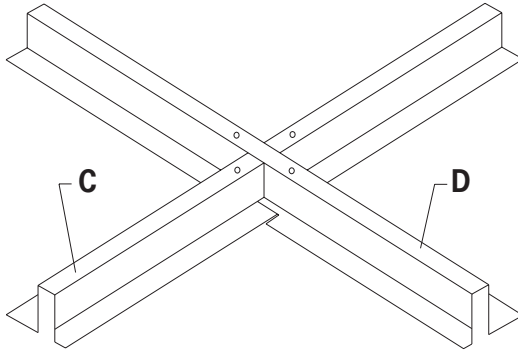
---

Part	Description	Quantity
A	Blow Molded Base Outside (with cap M)	2
B	Blow Molded Base Inside (with cap M)	2
C	Lower Cross Leg	1
D	Upper Cross Leg	1
E	Crank Handle	1
F	Holder Pole(Assembled with Suport Cup L)	1
CAN	Canopy (on the umbrella frame)	1
N	Umbrella Frame (with canopy)	1
N1	Solar Panel	1

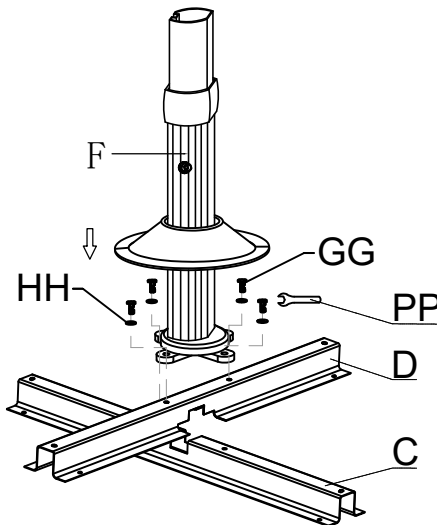
## Assembly Instructions



**CAUTION:** Do not use sharp tools or equipment such as a knife or scissors when removing the protective material, as it may damage the product. Be careful not to throw away small parts such as bolts, washers, ect. that may be wrapped in the protective materials.



**Step 1:** Place lower cross leg (C) on the ground, line up notches and place upper cross leg (D) over the lower cross leg (C).

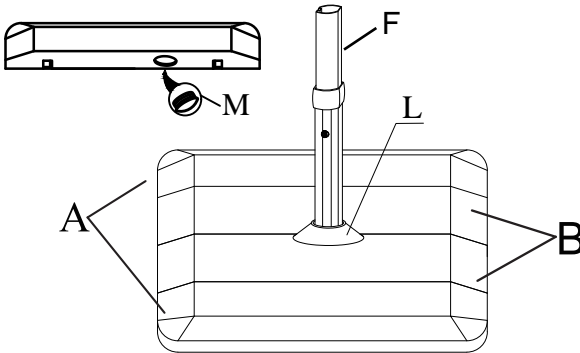


**Step 2:** Attach the holder pole (F) to the base by using the bolts (GG) and washers (HH) (found in blister pack). Hand tighten only. Adjust the holder pole (F) to be sure it is positioned correctly on the base. Finally tighten all bolts. Be careful not to over tighten.

## Assembly Instructions



**WARNING:** Do not use this umbrella during periods of high winds and rain. Failure to do so may result in personal injury and/or damage.



### Sand (4 bags)



**91 kg / 200 lbs**

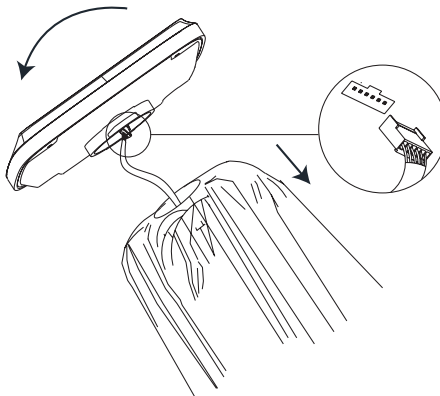
**Step 3:** Fill each base (A & B) with sand, cover with cap (M). Place pole support cup (L) onto holder pole (F) and lay on top of blow molded base (B).

## Solar Light Assembly Instructions

Before beginning assembly of product, make sure all parts are present.

Estimated Assembly Time: 10 minutes

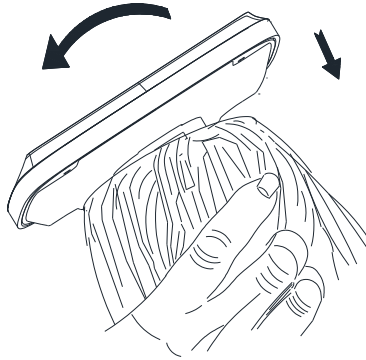
Tools Required for Assembly: No Tools Required



**Step 1:** Insert the plug into the socket under the solar panel as shown above.

## Assembly Instructions

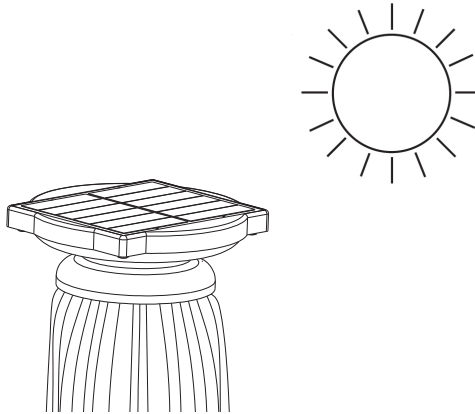
---



**Step 2.** Put the solar panel on the top of umbrella and hide the plug and wire inside the groove at the top of umbrella. Then turn the solar panel clockwise. Do not over tighten. Please remove the plastic film on the solar panel.



**INFORMATION:** Please remove the plastic film on the solar panel. This protective film is to prevent damage during shipping. Failure to remove the film will result in the solar panel not functioning properly.



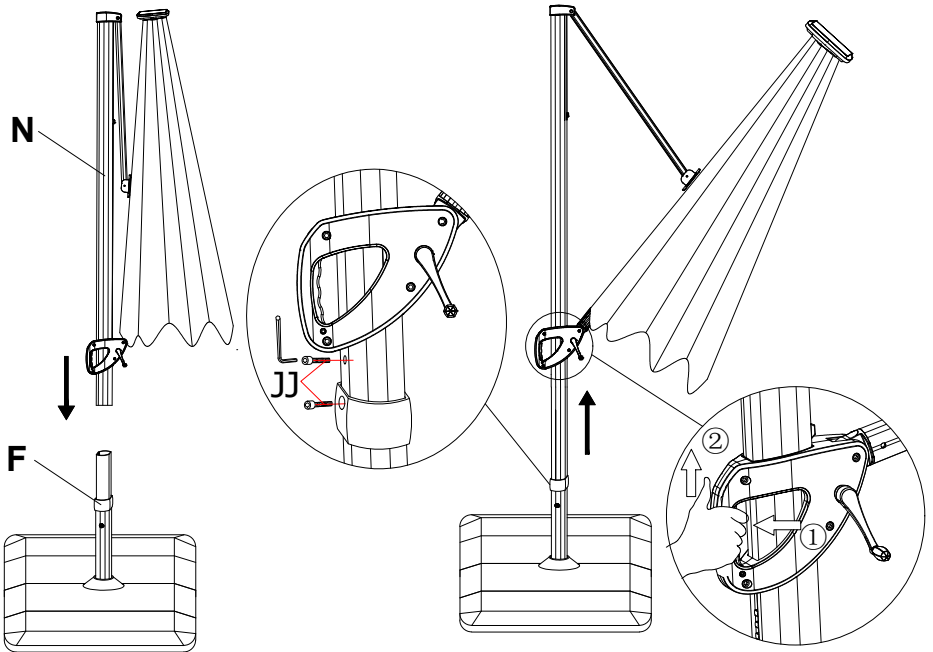
**Step 3:** Put the solar umbrella in the sunlight to charge the battery for 8 hours before the first use.

Make sure to charge the battery for at least 8 hours before the first use. Otherwise it will shorten lifespan of the battery and decrease performance. If charging the solar panel while attached to the umbrella, make sure the switch on the rib is in the off position.

## Assembly Instructions

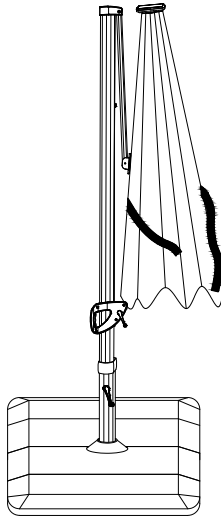


**CAUTION: YOU MUST CHARGE BATTERY BEFORE FIRST USE.** Please note that battery can discharge if they are left unused or uncharged for a long period of time. Since there can be a six-month period between production and final customer purchase, we recommend you charge your solar umbrella for at least 8 hours in direct sunlight before the first use. Failure to charge the battery will result in premature dimming of the lights in your new solar umbrella. Make sure the light switch is in the off position when charging the solar panel. For everyday normal use, turn the light switch on at night when you want to use the solar light and turn off the switch after use. **MAKE SURE THE LIGHT SWITCH IS IN THE OFF POSITION IN THE DAYTIME FOR THE SOLAR PANEL TO RECHARGE THE BATTERY**

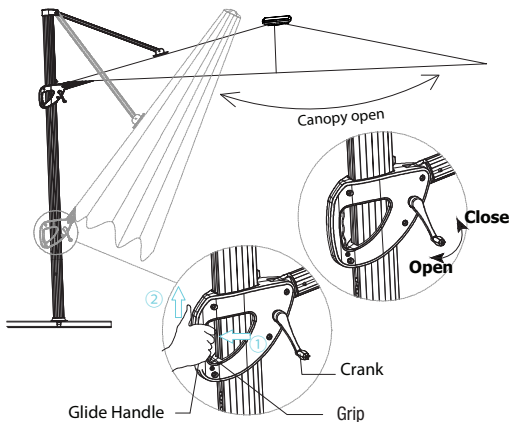


**Step 4:** Insert Umbrella Frame with Canopy (N) into the Holder Pole (F). Slide the holder pole collar onto the holder pole at the same time. Tighten the two Hex Bolts (JJ) into the holder pole to secure the umbrella.

# Operation Instructions



**Step 1:** Unfasten the storage straps around the canopy.



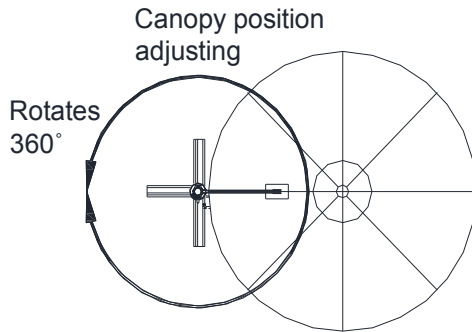
**Step 2:** To open the umbrella, squeeze the Glide Handle and grip together and slide up or down the pole to achieve the desired tilting angle. Release the grip to lock into place. To open the canopy, turn the crank handle clockwise until the canopy is fully open as pictured.



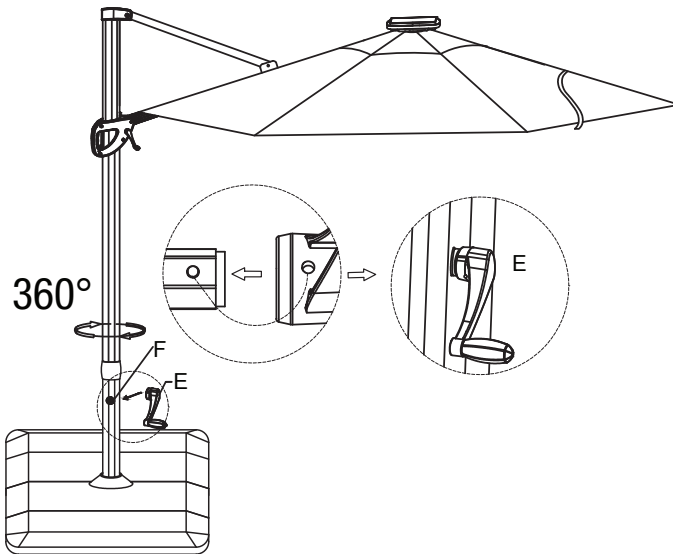
**CAUTION:** If the crank becomes too hard to turn while opening the canopy, check to see if the rope has come off the pulley. If you continue to turn the crank, the rope or crank handle could break.

# Operation Instructions

---



**Step 3:** The multiple position canopy can rotate 360° around the axis of the main pole to offer the shade on your expected area around the umbrella.

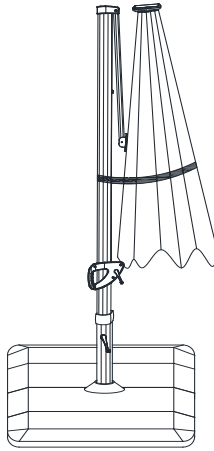


**Step 4:** To rotate umbrella insert the crank handle (E) into holder pole (F) and turn to desired position.



## Operation Instructions

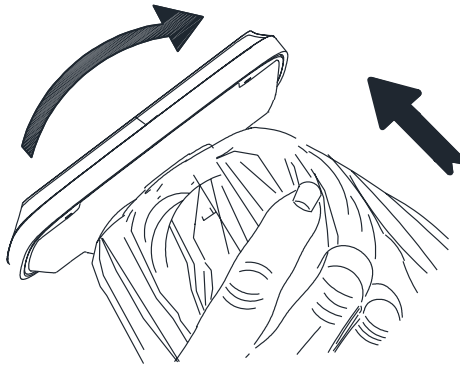
---



**Step 7:** Fasten the storage straps around the canopy.

## Battery Replacement

---



**Step 1:** Twist counterclockwise and remove the solar panel from the top of the umbrella.

## Set-Up and Operation

We recommend that you change the battery in your solar light umbrella every year or when you feel the light output is diminished. For best results buy (1) 18650 Lithium 2200mAh rechargeable battery same as supplied with panel. Install only new batteries.

\*Failure to insert battery in the correct polarity, as indicated in the battery compartment, may shorten the life of the battery or cause the battery to leak. Do not dispose of battery in fire. Battery should be recycled or disposed of as per state and local guidelines. Do not mix old and new batteries. Do not mix Alkaline, Standard (Carbon-Zinc) or Rechargeable (Nickel Cadmium) or (Nickel Metal Hydride) batteries.

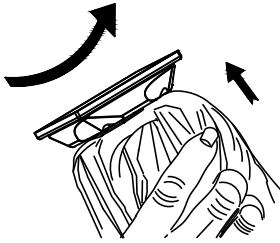


Fig. 7

**Step 1:** Twist counterclockwise and remove the solar panel from the top of the umbrella as shown in Fig 7.

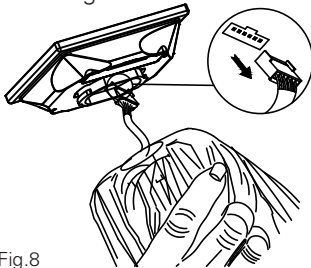


Fig.8

**Step 2:** Pull the plug out of the socket under the solar panel. Pull by holding the plug, not by pulling on the wires as shown in Fig 8.

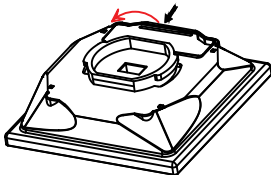


Fig. 9

**Step 3:** Place the solar panel on flat, then open the battery cover. Fig. 9.

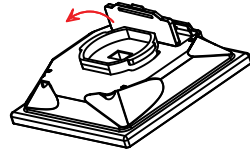


Fig. 10

**Step 4:** Replace battery, matching the +/- on battery with the +/- on solar panel.

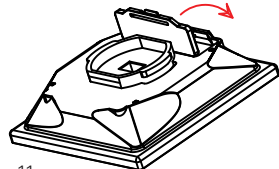


Fig. 11

**Step 5:** Put the battery cover back.

*Your solar umbrella is ready to use again!*

For everyday normal use, turn on the light switch at night when you want to use solar light and turn off the switch after use.



**INFORMATION:** After use, be sure to turn the lights off. The light switch must be in the off position and the solar panel must be in direct sunlight to recharge the battery.

## Warnings

---



**DANGER:** Keep children out of the assembly area during assembly.



**WARNING:** Read the entire instructions before beginning and follow the steps outlined. Failure to assemble and install as instructed could result in the umbrella tipping over causing personal injury and/or property damage.



**WARNING:** Do not use this umbrella during periods of high winds and rain. Failure to do so may result in personal injury and/or damage.



**CAUTION:** Assemble and use umbrella on flat ground.



**INFORMATION:** Be sure to secure and/or weight the base of the umbrella.



**INFORMATION:** Close the umbrella and use the canopy storage straps when umbrella is not in use.



**INFORMATION:** Schematics in this manual are for assembly and operation illustration only. They may differ from the umbrella's actual appearance.

## Battery Replacement and Disposal Instructions

---

- For best results, use 18650 Lithium 2200mAh (rechargeable batteries supplied with panel) rechargeable batteries.
- Install only new batteries of the same type in your product.
- Failure to insert batteries in the correct polarity, as indicated in the battery compartment, may shorten the life of the batteries or cause batteries to leak.
- Do not mix old and new batteries.
- Do not mix Alkaline, Standard (Carbon-Zinc) or Rechargeable (Nickel Cadmium) or (Nickel Metal Hydride) batteries.
- Do not dispose of batteries in fire.
- Batteries should be recycled or disposed of as per state and local guidelines.