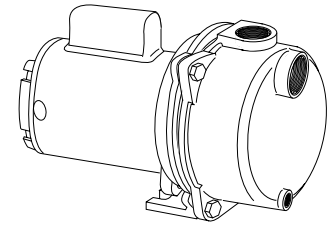


Please read and save these instructions. Read carefully before attempting to assemble, install, operate or maintain the product described. Protect yourself and others by observing all safety information. Failure to comply with instructions could result in personal injury and/or property damage! Retain instructions for future reference.



# WAYNE®

## Lawn Sprinkler Pump

### Description

This pump is a high capacity, centrifugal pump suitable for lawn sprinkling or other applications where large quantities of water are required. Flammable liquids such as gasoline, chemicals or corrosive liquids should NEVER be used with this pump. Use to pump clear water ONLY.

### Safety Guidelines

This manual contains information that is very important to know and understand. This information is provided for SAFETY and to PREVENT EQUIPMENT PROBLEMS. To help recognize this information, observe the following symbols.

**▲ DANGER** DANGER indicates an imminently hazardous situation which, if NOT avoided, WILL result in death or serious injury.

**▲ WARNING** WARNING indicates a potentially hazardous situation which, if NOT avoided, COULD result in death or serious injury.

**▲ CAUTION** CAUTION indicates a potentially hazardous situation which, if NOT avoided, MAY result in minor or moderate injury.

**NOTICE** NOTICE indicates important information, that if NOT followed, MAY cause damage to equipment.

### General Safety Information

#### CALIFORNIA PROPOSITION 65

**▲ WARNING** This product or its power cord may contain chemicals, including lead, known to the State of California to cause cancer and birth defects or other reproductive harm. Wash hands after handling.

#### GENERAL SAFETY INFORMATION

1. Read these rules and instructions carefully. Failure to follow these instructions COULD cause serious bodily injury and/or property damage.



**▲ DANGER** Risk of electrical shock. This pump is non-submersible.

**▲ DANGER** Pump only clear water. Do NOT pump flammable or explosive fluids such as gasoline, fuel oil, kerosene, etc. Do NOT use in a flammable and/or explosive atmosphere. Personal injury and/or property damage WILL result.



**NOTICE** This pump is NOT designed to handle salt water, brine, laundry discharge or any other application which may contain caustic chemicals and/or foreign materials. Pump damage COULD occur if used in these applications and will void warranty.

**▲ WARNING** All wiring must be performed by a qualified electrician. The pump must be installed in compliance with all local and national codes.



2. Connect this product to a grounded circuit equipped with a ground fault circuit interruptor (GFCI) device.
3. Before installing this product, have the electrical circuit checked by an electrician to ensure proper grounding.
4. BE CERTAIN the pump power source is disconnected before installing, servicing, or maintaining the pump.
5. Check motor voltage setting on motor end plate and make sure the line voltage of the electrical current supply is correct (see figure 5 on page 3).



6. Be sure the water source and piping is clear of sand, dirt and scale. Debris WILL clog pump and WILL void warranty.
7. Failure to protect pump and piping from freezing COULD cause severe damage and WILL void the warranty.
8. Do NOT run pump dry. Follow priming instructions.

**▲ WARNING** Pump motor is equipped with an automatic resetting thermal protector and may restart unexpectedly. Protector tripping is an indication of motor overheating because of operating pump at low heads (low discharge restriction), excessively high or low voltage, inadequate wiring, incorrect motor connections, excessive surrounding air temperature, inadequate ventilation, and/or defective motor or pump.

### Installation

Protect pump from the elements by installing in a basement, garage, tool shed or pump house. Install the pump so the center line of the pump is as close as possible to the water level. Keep installation area clear to provide access for service and maintenance. Protect the pump against flooding and excess moisture.

Make sure the pump has adequate ventilation. The surrounding temperature should not exceed 100°F (38°C) or nuisance tripping of the motor may occur.

#### PUMP PIPING INSTALLATION

Use new pipe for best results. Galvanized or plastic pipe can be used. When using galvanized pipe, provide independent supports for both suction and discharge piping near the pump to avoid strain on the pump. Minimize use of elbows and fittings to reduce friction loss. Refer to the friction loss chart (on page 4) for specific information.

Increase diameter of suction or discharge piping if length is over 50 feet.

**REMINDER: Keep your dated proof of purchase for warranty purposes! Attach it to this manual or file it for safekeeping.**

## Installation (Continued)

### SUCTION PIPING

**▲ WARNING** *Install foot valve or strainer screen over intake of suction piping.*

Never use pipe smaller than 2" in diameter for suction piping. The suction pipe must be kept free of air leaks. For horizontal runs, lay pipe from the water source so the upward slope is at least 1/4" per foot. This eliminates trapped air. The threaded inlet of the pump is 2" NPT.

**▲ DANGER** *Do not install suction piping near swimming areas.*

### DISCHARGE PIPING

Install a 1-1/2" pipe tee in the pump discharge to allow easy priming. Plug the end of the tee opposite the pump to allow the branch piping to go to the spray nozzles (See Figure 1). Remove the pipe plug to fill the pump with water for priming.

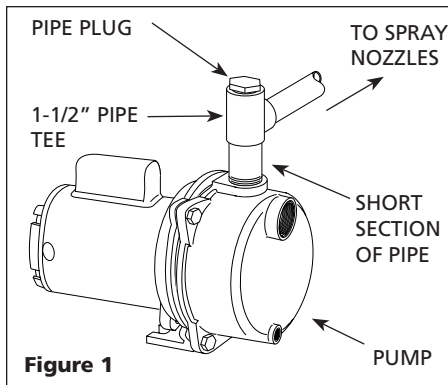


Figure 1

### CONNECTION TO WATER SOURCE

The maximum vertical suction lift from pump to the water level is 25 feet.

#### DRILLED WELL

1. Install a foot valve on the first section of pipe (see Figure 2).
2. Lower the pipe into the well.
3. Add pipe until the foot valve is 10 feet below the lowest anticipated water level.

Leaking joints or couplings will allow air to leak into the pipe and cause poor pump operation or difficulty priming. Make sure to use pipe joint compound or plumber's seal tape on all threaded pipe connections.

**▲ CAUTION** *Locate foot valve no closer than 2 feet from the bottom of the well so sand or sediment is NOT drawn into the system.*

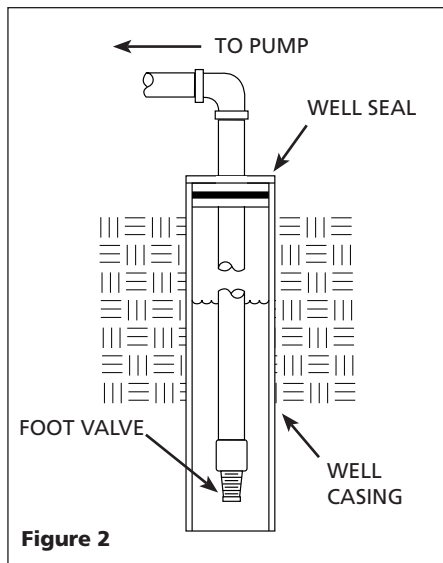


Figure 2

4. After the proper depth is reached, install a well seal or pitless adapter to support the pipe.
5. Slope the horizontal pipe upward toward the pump to eliminate trapping air.
6. When using a foot valve, a priming tee and plug above the well seal is recommended.

#### DRIVEN WELL

- Drive the point several feet below the water table.

**NOTE:** A packer-type foot valve can be installed in the well (See Figure 3). This type of foot valve allows the well pipe to be filled with water when priming and makes the inlet pipe much easier to test for leaks. Follow the manufacturer's instructions when installing the packer-type foot valve.

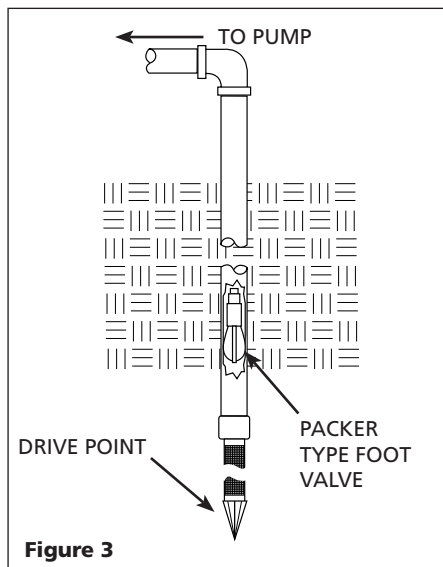


Figure 3

As an alternative, an in-line check valve can be used with a driven well (See Figure 4).

It may be necessary to supply the pump with multiple well points to maintain the high flow capability of this pump. Consult with a plumbing professional for appropriate materials and installation instructions.

Leaking joints or couplings will allow air to leak into the pipe and cause poor pump operation or difficulty priming. Make sure to use pipe joint compound or plumber's seal tape on all threaded pipe connections.

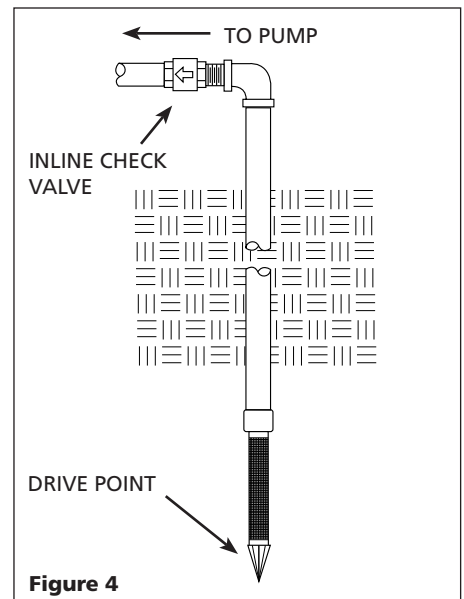


Figure 4

## Dug Well, Cistern, Lake And Spring Installation

- Install a foot valve on the inlet pipe and lower into the water.

**▲ CAUTION** *Locate foot valve no closer than 2 feet from the bottom of the well so sand or sediment is NOT drawn into the system.*

**NOTE:** When a lake is used for the water supply, make sure the suction pipe is deep enough to be submerged at all times. Slope the pipe upward toward the pump to eliminate trapping air. The pipe must be removed during winter months or protected against freezing.

**▲ WARNING** *Protect the pipe from damage by swimmers and boaters. Install a screen around the inlet pipe to prevent the entrapment of swimmers.*

## Electrical Connections

Connect the pump to a separate electrical circuit with a dedicated circuit breaker. Refer to the electrical specifications in wiring chart for recommended fuse and wire size.

Install and maintain wiring for this pump in accordance with the National Electrical code and all applicable local electrical codes.

The motor must be grounded by connecting a copper conductor to the grounding screw provided within the wiring compartment.

The voltage of power supply must match the voltage of the pump. The WLS75, WLS100 and WLS150 have dual voltage motors preset at the factory to 230 volts. The motors can be converted to 115 volts by turning the voltage selector to the desired voltage (See Figure 5). Use a needle nose pliers to pull the selector out approximately 1/4", rotate and then reinsert in correct position. **NOTE: The WLS200 cannot be converted; the motor is 230 volts only.**

### CONNECTING WIRES

Terminal cover must be in place for safe operation. Ground in accordance with local and national electrical codes. Keep fingers and objects away from openings and rotating parts. Disconnect power sources before touching internal parts. See Figure 6 for appropriate wiring locations.

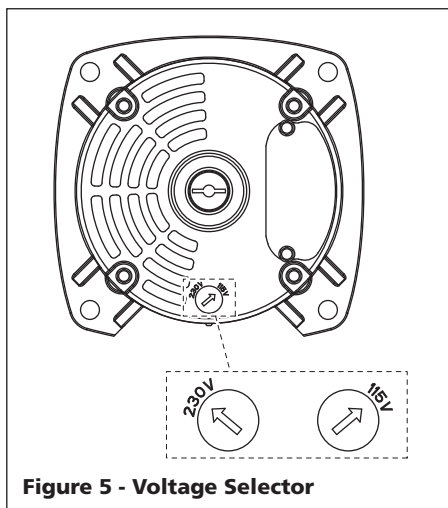


Figure 5 - Voltage Selector

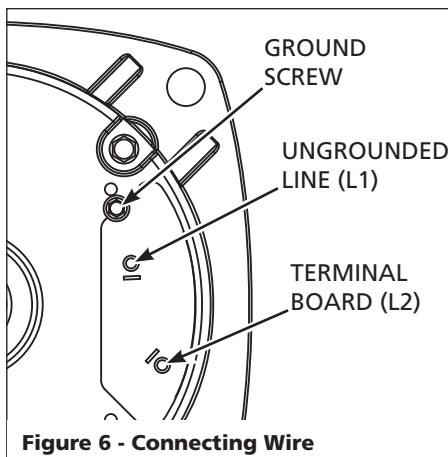


Figure 6 - Connecting Wire

## Operation

**CAUTION** NEVER run the pump dry. Running pump without water may cause seal damage. Fill the pump with water before starting.

### PRIMING THE PUMP

After pump installation is complete, the pump must be primed. Remove the pipe plug in the discharge piping and fill the pump and suction pipe with clean water. Turn power to pump on. If the pump does not pump water in 10 minutes, turn off the pump and refill with clean water.

If the pump does not operate after repeated attempts, check the following:

1. Vertical distance of pump to water level must not be over 25 feet.
2. Suction piping must be air tight.
3. Be sure valve(s) are open if used in discharge or suction piping.

**CAUTION** NEVER run the pump with a closed or clogged discharge. The water inside the pump could boil and damage the pump.

## Maintenance

Maintain adequate ventilation for the pump motor. The motor bearings are permanently lubricated at the factory. Additional lubrication is not required.

### DRAINING FOR WINTER

Always protect pump and piping against freezing temperatures. If there is any danger of freezing, drain the system. To drain the system:

1. Remove the pipe plug from the discharge tee.
2. Remove the 1/4" plug from the lower front face of the pump.
3. Drain all piping below the frost line.

Head (ft)	Pressure (psi)			
	15	20	25	30
5	3100	2700	2350	1950
10	2900	2550	2200	1700
15	2750	2400	2000	1400
20	2600	2200	1750	1000
25	2450	2050	1450	500

WLS75 - GPH

Head (ft)	Pressure (psi)			
	15	20	25	30
5	3650	3200	2800	2450
10	3450	3000	2650	2200
15	3250	2850	2450	1950
20	3050	2650	2300	1600
25	2850	2500	2050	1150

WLS100 - GPH

Head (ft)	Pressure (psi)			
	15	20	25	30
5	4350	3950	3400	2950
10	4200	3700	3200	2750
15	3950	3450	3000	2500
20	3700	3250	2800	2150
25	3500	3050	2550	1700

WLS150 - GPH

Head (ft)	Pressure (psi)			
	15	20	25	30
5	--	5300	4800	4200
10	--	5100	4500	3950
15	5300	4850	4250	3750
20	5150	4550	4000	3450
25	4850	4300	3750	3100

WLS200 - GPH

**WIRING CHART - RECOMMENDED WIRE AND FUSE SIZES**

Model	HP	Volts	Amps	Dual Element Fuse 250V	Distance in Feet From Motor to Supply		
					0 50 (AWG Wire Size)	51 100	101 200
WLS75	3/4	120	15.0	25	12	10	8
		240	7.5	15	14	14	12
WLS100	1	120	15.0	25	12	10	8
		240	7.5	15	14	14	12
WLS150	1-1/2	120	18.0	30	10	10	8
		240	9.5	15	14	14	12
WLS200	2	240	11.5	20	14	14	12

Pipe Size	psi Friction Loss in 100 Feet of Plastic Pipe*								
	(Gallons Per Hour)								
	1200	1500	1800	2400	3000	3600	4800	6000	7200
1-1/4	2.6	3.9	5.5	9.4	14.1				
1-1/2	1.2	1.9	2.6	4.4	6.7	9.4	15.9		
2		0.6	0.8	1.3	2.0	2.8	4.7	7.1	10.0
2-1/2				0.6	0.8	1.2	1.3	3.0	4.2

\* Multiply by 1.8 for steel pipe

## Troubleshooting Chart

Symptom	Possible Cause(s)	Corrective Action(s)
Motor will not run	<ol style="list-style-type: none"> <li>1. Disconnect switch is off</li> <li>2. Fuse is blown or circuit breaker tripped</li> <li>3. Wires at motor are loose, disconnected or wired incorrectly</li> <li>4. Defective Motor</li> <li>5. Voltage selector switch not properly set.</li> <li>6. Low line voltage</li> </ol>	<ol style="list-style-type: none"> <li>1. Be sure switch is on</li> <li>2. Replace fuse</li> <li>3. Refer to wiring instructions. Check and tighten all wiring</li> </ol> <p><b>⚠ WARNING</b> <i>Capacitor voltage MAY be hazardous. To discharge capacitor, touch short capacitor terminals with an insulated screwdriver. BE SURE to hold handle of screwdriver while making contact with capacitor terminals.</i></p> <ol style="list-style-type: none"> <li>4. Replace motor</li> <li>5. Disconnect power, set voltage selector switch (Figure 5) to match line voltage. (See electrical connections page 3.)</li> <li>6. Contact an electrician</li> </ol>
Motor runs hot and overload kicks off	<ol style="list-style-type: none"> <li>1. Motor is wired incorrectly</li> <li>2. Low line voltage</li> <li>3. Pump house not properly vented</li> </ol>	<ol style="list-style-type: none"> <li>1. Refer to wiring instructions</li> <li>2. Contact an electrician</li> <li>3. Be sure pump has sufficient ventilation to cool the motor</li> </ol>
Motor runs but no water is delivered <b>NOTE:</b> Check prime before looking for other causes. Unscrew priming plug and see if water is in priming hole.	<ol style="list-style-type: none"> <li>1. Pump in new installation did not pick up prime through:                             <ol style="list-style-type: none"> <li>a. Improper priming</li> <li>b. Air leaks</li> <li>c. Leaking foot valve</li> </ol> </li> <li>2. Pump has lost prime through:                             <ol style="list-style-type: none"> <li>a. air leaks</li> <li>b. water level below suction of pump</li> </ol> </li> <li>3. Impeller obstructed</li> <li>4. Check valve or foot valve is stuck in closed position</li> <li>5. Pipes are frozen</li> <li>6. Foot valve and/or strainer are buried in sand or mud</li> <li>7. Low line voltage</li> </ol>	<ol style="list-style-type: none"> <li>1. New installation:                             <ol style="list-style-type: none"> <li>a. Re-prime according to instructions</li> <li>b. Check all connections on suction line</li> <li>c. Replace foot valve</li> </ol> </li> <li>2. Existing installations:                             <ol style="list-style-type: none"> <li>a. Check all connections on suction line and shaft seal</li> <li>b. Lower suction line into water and re-prime. If receding water level exceeds suction lift, reposition the pump to ensure less than 25 ft. of lift.</li> </ol> </li> <li>3. Clean impeller</li> <li>4. Replace check valve or foot valve</li> <li>5. Thaw pipes. Bury pipe below frost line. Heat pit or pump house</li> <li>6. Raise foot valve and/or stainer above well bottom</li> <li>7. Contact an electrician</li> </ol>
Pump does not deliver water to full capacity	<ol style="list-style-type: none"> <li>1. Water level in well is lower than estimated</li> <li>2. Steel piping (if used) is corroded or limed, causing excess friction</li> <li>3. Piping is too small in size</li> <li>4. Low line voltage</li> </ol>	<ol style="list-style-type: none"> <li>1. Reposition pump to minimize lift (25ft max lift)</li> <li>2. Replace with plastic pipe where possible, otherwise with new steel pipe</li> <li>3. Use larger piping</li> <li>4. Contact an electrician</li> </ol>

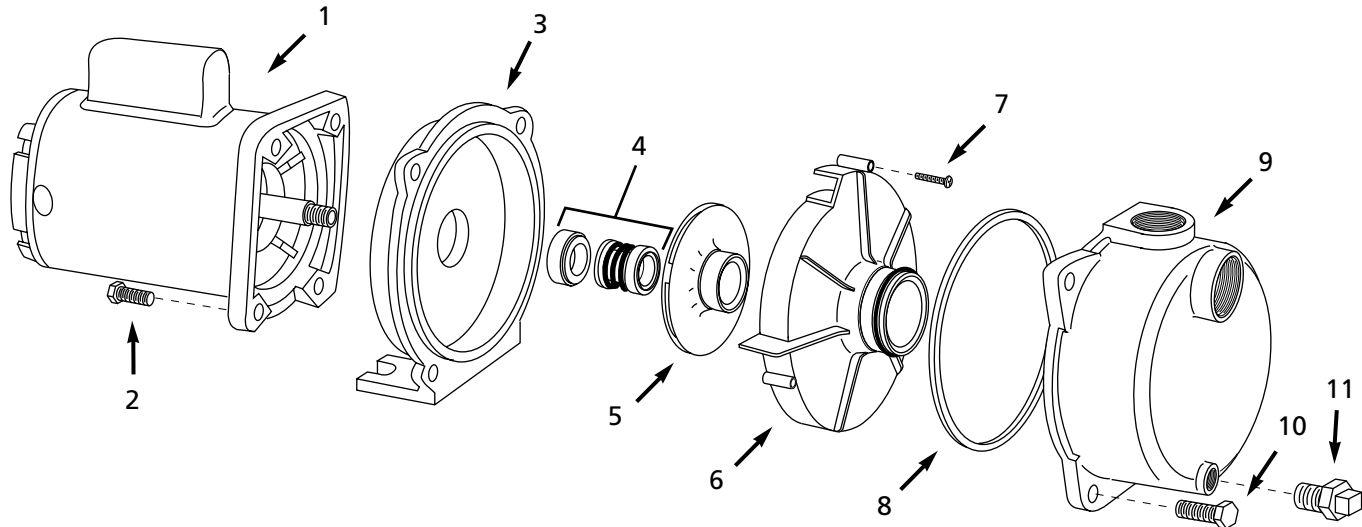
# For Replacement Parts or Technical Assistance, call 1-800-237-0987

Please provide following information:

- Model number
- Serial number (if any)
- Part description and number as shown in parts list

Address parts correspondence to:

WAYNE Water Systems  
101 Production Drive  
Harrison, OH 45030 U.S.A.



Ref. No.	Description	Part Number for Models:				Qty.
		WLS75	WLS100	WLS150	WLS200	
1	Motor	32015-001	32015-002	32020-001	32021-001	1
2	3/8-16 x 1" Hex cap screw	16334	16334	16334	16334	4
3	Sealplate	41011-001	41011-001	41011-001	41011-001	1
4	Shaft seal assembly	15559-002	15559-002	15559-002	15559-002	1
5	Impeller	29806-001	29805-001	29804-001	29803-001	1
6	Diffuser	29807-001	29807-001	29807-001	29807-001	1
7	10-24 x 1" Phillips screw	67017-001	67017-001	67017-001	67017-001	3
8	Square ring	19013-001	19013-001	19013-001	19013-001	1
9	Volute	41010-001	41010-001	41010-001	41010-001	1
10	7/16-16 x 1.25" Hex cap screw	67018-001	67018-001	67018-001	67018-001	4
11	1/4" NPT Sq. hd. pipe plug	16314-002	16314-002	16314-002	16314-002	1



**Limited Warranty**

For one year from the date of purchase, WAYNE Water Systems ("WAYNE") will repair or replace, at its option, for the original purchaser any part or parts of its Sump Pumps or Water Pumps ("Product") found upon examination by WAYNE to be defective in materials or workmanship. Please call WAYNE (800-237-0987) for instructions or see your dealer. Be prepared to provide the model number and the serial number when exercising this warranty. All transportation charges on Products or parts submitted for repair or replacement must be paid by purchaser.

This Limited Warranty does not cover Products which have been damaged as a result of accident, abuse, misuse, neglect, improper installation, improper maintenance, or failure to operate in accordance with WAYNE's written instructions.

**THERE IS NO OTHER EXPRESS WARRANTY. IMPLIED WARRANTIES, INCLUDING THOSE OF MERCHANTABILITY AND FITNESS FOR A PARTICULAR PURPOSE, ARE LIMITED TO ONE YEAR FROM THE DATE OF PURCHASE. THIS IS THE EXCLUSIVE REMEDY AND ANY LIABILITY FOR ANY AND ALL INDIRECT OR CONSEQUENTIAL DAMAGES OR EXPENSES WHATSOEVER IS EXCLUDED.**

Some states do not allow limitations on how long an implied warranty lasts, or do not allow the exclusions or limitations of incidental or consequential damages, so the above limitations might not apply to you. This limited warranty gives you specific legal rights, and you may also have other legal rights which vary from state to state.

In no event, whether as a result of breach of contract warranty, tort (including negligence) or otherwise, shall WAYNE or its suppliers be liable for any special, consequential, incidental or penal damages including, but not limited to loss of profit or revenues, loss of use of the products or any associated equipment, damage to associated equipment, cost of capital, cost of substitute products, facilities, services or replacement power, downtime costs, or claims of buyer's customers for such damages.

You **MUST** retain your purchase receipt along with this form. In the event you need to exercise a warranty claim, you **MUST** send a **copy** of the purchase receipt along with the material or correspondence. Please call WAYNE (800-237-0987) for return authorization and instructions.

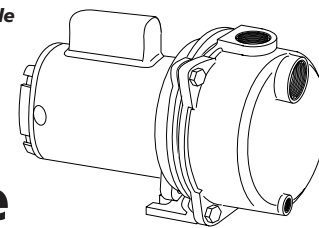
**DO NOT MAIL THIS FORM TO WAYNE.** Use this form only to maintain your records.

MODEL NO. \_\_\_\_\_ SERIAL NO. \_\_\_\_\_ INSTALLATION DATE \_\_\_\_\_

**ATTACH YOUR RECEIPT HERE**



S'il vous plaît lire et conserver ces instructions. Lire attentivement avant de monter, installer, utiliser ou de procéder à l'entretien du produit décrit. Se protéger ainsi que les autres en observant toutes les instructions de sécurité, sinon, il y a risque de blessure et/ou dégâts matériels! Conserver ces instructions comme référence.



## Pompe Pour Arrosoir De Pelouse

### Description

Cette pompe centrifuge de haute capacité est convenable pour l'arrosage de pelouses ou autres applications là où de larges quantités d'eau soient exigées. NE JAMAIS utiliser des liquides inflammables tels que l'essence, des produits chimiques ni de liquides corrosifs avec cette pompe. À utiliser pour pomper de l'eau claire UNIQUEMENT.

### Directives De Sécurité

Ce manuel contient de l'information très importante qui est fournie pour la SÉCURITÉ et pour ÉVITER LES PROBLÈMES D'ÉQUIPEMENT. Rechercher les symboles suivants pour cette information.

**▲ DANGER** DANGER indique une situation hasardeuse imminente qui RÉSULTERA en perte de vie ou blessures graves.

**▲ AVERTISSEMENT** AVERTISSEMENT indique une situation hasardeuse potentielle qui PEUT résulter en perte de vie ou blessures graves.

**▲ ATTENTION** ATTENTION indique une situation hasardeuse potentielle qui PEUT résulter en blessures.

**AVIS** AVIS indique de l'information importante pour éviter le dommage de l'équipement.

### Généralités Sur La Sécurité

#### PROPOSITION 65 DE CALIFORNIE

**▲ AVERTISSEMENT** Ce produit ou son cordon peuvent contenir des produits chimiques, y compris du plomb, relevés par l'État de Californie comme cause de cancer, d'anomalies congénitales ou d'autres problèmes reproductifs. Lavez-vous les mains après toute manipulation.

#### GÉNÉRALITÉS SUR LA SÉCURITÉ

1. Lire ces directives et ces instructions attentivement. Manque de suivre ces instructions PEUT causer de blessures graves et/ou dégâts matériels.



**▲ DANGER** Risque de choc électrique. Cette pompe n'est pas submersible.

**▲ DANGER** NE PAS pomper les fluides explosifs tels que l'essence, l'huile à chauffage, le kérosène etc. NE PAS utiliser dans un atmosphère inflammable et/ou explosif. La pompe devrait être utilisée pour le pompage de l'eau claire seulement, sinon, il y a risque de blessures personnelles et/ou dégâts matériels.



**AVIS** Cette pompe N'EST PAS conçue pour les substances qui contiennent les produits chimiques caustiques et/ou les matières étrangères tels que l'eau salée, la saumure, le décharge de buanderie. L'utilisation de ces produits PEUT endommager la pompe et annulera la garantie.

**▲ AVERTISSEMENT** Toute installation de fils doit être effectuée par un électricien qualifié. La pompe doit être installée conformément aux codes locaux et nationaux.



2. Branchez ce produit à un circuit mis à la terre équipé d'un appareil à disjoncteur de fuite à la terre (DDFT).
3. Avant l'installation de ce produit, faire inspecter le circuit électrique par un électricien afin d'assurer la mise à la terre correcte.
4. S'ASSURER que la source d'alimentation de la pompe est débranchée avant toute installation, entretien ou réparation de la pompe.



5. Vérifier le réglage de tension de moteur sur la plaque d'extrémité du moteur et s'assurer que la tension de la ligne du courant électrique soit correcte (Voir figure 5 à la page 11).
6. S'assurer que la source d'eau et la tuyauterie soit libre de sable, saleté et de dépôts. Le débris PEUT obstruer la pompe et MÈNERA annuler la garantie.
7. Manque de protéger la pompe et la tuyauterie contre la congélation l'endommagera et MÈNERA annulera la garantie.
8. Ne pas faire fonctionner la pompe sèche. Suivre les instructions d'amorçage.

**▲ AVERTISSEMENT** Le moteur de la pompe est doté d'un protecteur thermique à réinitialisation automatique et pourrait redémarrer de manière imprévue. Le déclenchement du protecteur est une indication de surchauffe du moteur à cause d'une utilisation de la pompe à faible hauteur de chute (restriction de faible décharge), d'une tension excessivement haute ou basse, d'un câblage inadéquat, d'un branchement incorrect du moteur, d'une température ambiante excessive, d'une ventilation inadéquate ou d'une pompe ou d'un moteur défectueux.

### Installation

Protéger la pompe contre les éléments en installant la pompe dans un sous-sol, garage, cabane à outils ou à pompe. Installer la pompe avec la ligne centrale aussi près que possible au niveau d'eau. Garder l'endroit d'installation sans obstructions afin de fournir l'accès à la pompe pour le service et l'entretien. Protéger la pompe contre l'inondation et l'humidité excessive.

Assurer la ventilation suffisante de la pompe. Pour éviter le déclenchement du moteur, la température des alentours ne devrait pas dépasser 38°C (100°F).

**MÉMENTO** : Gardez votre preuve datée d'achat à fin de la garantie ! Joignez-la à ce manuel ou classez-la dans un dossier pour plus de sécurité.

## Installation (suite)

### INSTALLATION DE LA TUYAUTERIE

Pour un meilleur résultat, utiliser des nouveaux tuyaux galvanisés ou en plastique. Si vous utilisez un tuyau galvanisé, il est nécessaire de fournir des supports indépendants pour les tuyaux d'aspiration et de décharge près de la pompe afin d'éviter de forcer la pompe. Minimiser l'utilisation de coudes et de raccords pour réduire la perte de friction. Se référer au tableau de perte de friction pour plus d'information (à la page 12).

Augmenter le diamètre de la tuyauterie d'aspiration ou de décharge si la longueur est plus que 15,24 mètres.

### TUYAUTERIE D'ASPIRATION

**⚠ AVERTISSEMENT** *Installer un clapet de pied ou un tamis de filtre sur l'arrivée de la tuyauterie d'aspiration.*

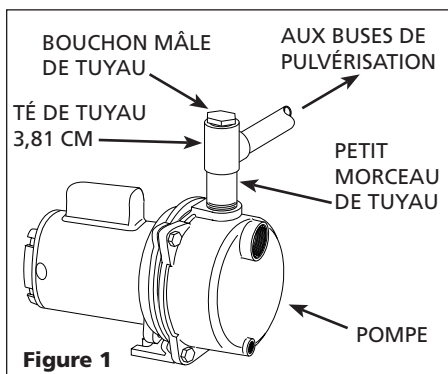
Ne jamais utiliser un tuyau de diamètre plus petit que 5,1 cm pour tuyauterie d'aspiration. Le tuyau d'aspiration doit être libre de fuites.

Pour les courses horizontaux, placer le tuyau de la source d'eau afin que la pente ascendante soit au moins 6,4 mm par mètres. Ceci sert à éliminer la collection d'air. L'arrivée fileté de la pompe est 5,1 cm NPT.

**⚠ DANGER** *Ne pas installer la tuyauterie d'aspiration à proximité des endroits de natation.*

### TUYAUTERIE DE DÉCHARGE

Installer un té de tuyau d'3,81 cm dans le décharge de la pompe afin de permettre l'amorçage facile. Boucher le bout du té situé au sens opposé de la pompe afin de permettre que la tuyauterie de branchement soit dirigé vers les buses de pulvérisation (Voir Figure 1). Enlever le bouchon mâle de tuyau afin de remplir la pompe d'eau pour l'amorçage.

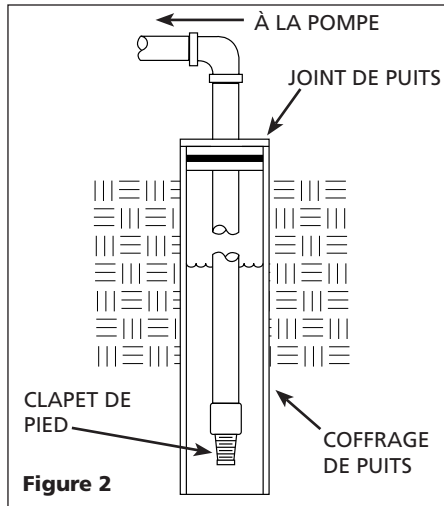


### BRANCHEMENT À LA SOURCE D'EAU

La hauteur d'aspiration verticale maximum de la pompe au niveau d'eau est de 7,62 mètres.

### PUITS FORÉ

1. Installer un clapet de pied sur la première section de tuyau (Voir Figure 2).
2. Faire baisser le tuyau dans le puits.
3. Ajouter de la tuyauterie jusqu'à ce que le clapet de pied soit 3 mètres sous le niveau d'eau le plus bas prévu.



Des joints ou des raccords qui fuient permettront à l'air de s'infiltrer dans le tuyau et induiront un fonctionnement inefficace de la pompe ou des difficultés d'amorçage. Assurez-vous d'utiliser de la pâte à joint ou du ruban d'étanchéité de plombier sur tous les raccords de tuyauterie filetés.

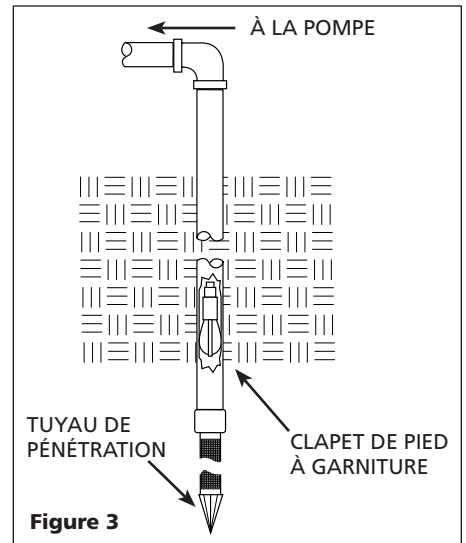
**⚠ ATTENTION** *Situer le clapet de pied plus que 0,61 mètres du fond du puits afin d'empêcher l'aspiration de sable ou de sédiment.*

4. Une fois que la profondeur correcte soit atteinte, installer un joint de puits ou un adaptateur pour soutenir le tuyau.
5. Incliner le tuyau horizontal en haut vers la pompe afin d'éliminer la collecton d'air.
6. Si un clapet de pied est utilisé, l'utilisation d'un té d'amorçage et d'un bouchon mâle en haut du joint de puits est recommandé.

### PUITS FICHÉ

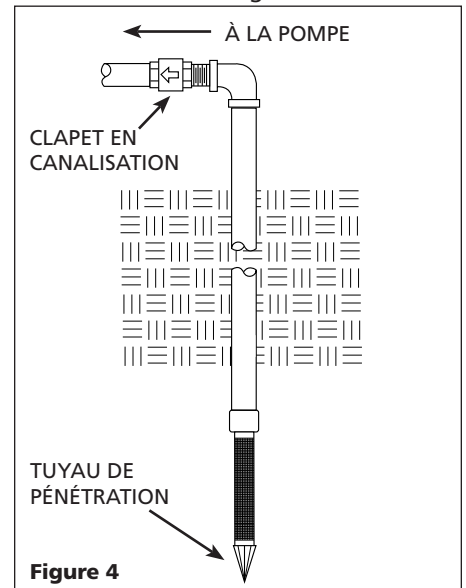
- Ficher le point plusieurs pieds sous le niveau hydrostatique.

**REMARQUE:** Un clapet de pied à garniture peut être installé dans le puits (Voir Figure 3). Ce type de clapet de pied permet que le tuyau de puits se remplisse d'eau pendant l'amorçage et permet l'inspection facile du tuyau d'arrivée pour des fuites. Suivre les instructions du fabricant pour l'installation du clapet de pied à garniture.



En option, un clapet en canalisation peut être utilisé avec un puits fiché (Voir Figure 4).

Il peut être nécessaire de fournir la pompe avec des pointes de pénétration multiples afin de soutenir le haut débit de cette pompe. Consulter un plombier professionnel pour les matériaux et les instructions de montage convenables.



## Installation (suite)

Des joints ou des raccords qui fuient permettront à l'air de s'infiltrer dans le tuyau et induiront un fonctionnement inefficace de la pompe ou des difficultés d'amorçage. Assurez-vous d'utiliser de la pâte à joint ou du ruban d'étanchéité de plombier sur tous les raccords de tuyauterie filetés.

## Installation Pour Puits Creusés, Réservoirs, Lacs Et Sources

- Installer un clapet de pied sur le tuyau d'admission et le baisser dans l'eau.

**ATTENTION** *Situer le clapet de pied au moins 2 pieds du fond de la source d'eau afin que la sable ou le sédiment NE soient PAS tirés dans le système.*

**REMARQUE:** Lorsque la source d'eau utilisée est un lac, s'assurer que le tuyau d'aspiration soit assez creux et toujours submergé. Incliner le tuyau en haut vers la pompe afin d'éliminer l'aspiration d'air. Le tuyau doit être enlevé pendant les mois d'hiver ou protégé contre la congélation.

**AVERTISSEMENT** *Protégez la tuyauterie contre les dommages causés par les baigneurs et les plaisanciers. Installez un écran autour du tuyau d'admission pour éviter de piéger les nageurs.*

Tête (pieds)	Pression (kPa)			
	15	20	25	30
5	3100	2700	2350	1950
10	2900	2550	2200	1700
15	2750	2400	2000	1400
20	2600	2200	1750	1000
25	2450	2050	1450	500

**WLS75 - GPH**

Tête (pieds)	Pression (kPa)			
	15	20	25	30
5	4350	3950	3400	2950
10	4200	3700	3200	2750
15	3950	3450	3000	2500
20	3700	3250	2800	2150
25	3500	3050	2550	1700

**WLS150 - GPH**

## Raccordements Électriques

Branchez la pompe à un circuit électrique distinct avec un disjoncteur dédié. Reportez-vous aux spécifications électriques dans le tableau de câblage pour le fusible et la taille de fil recommandés.

L'installation et l'entretien des fils pour cette pompe doivent conformer au code National (National Electrical code) et tous codes électriques locaux.

Le moteur doit être mis à la terre en branchant un fil conducteur en cuivre à la vis mise à la terre fournie à l'intérieur de la boîte d'installation de fils.

La tension de la source d'alimentation doit correspondre avec la tension de la pompe. Le WLS75, WLS100 et WLS150 ont des moteurs à double tension réglés d'avance à l'usine à 230 volts. Les modèles peuvent être transformés à 115 volts en tournant le sélecteur de tension à la tension désirée (Voir la Figure 5). Utiliser des pinces à long bec et tirer le sélecteur environ 6,4 mm, tourner, et le fixer dans la position correcte. **REMARQUE: Le WLS200 ne peut pas être transformé, le moteur est seulement 230 volts.**

Tête (pieds)	Pression (kPa)			
	15	20	25	30
5	3650	3200	2800	2450
10	3450	3000	2650	2200
15	3250	2850	2450	1950
20	3050	2650	2300	1600
25	2850	2500	2050	1150

**WLS100 - GPH**

Tête (pieds)	Pression (kPa)			
	15	20	25	30
5	--	5300	4800	4200
10	--	5100	4500	3950
15	5300	4850	4250	3750
20	5150	4550	4000	3450
25	4850	4300	3750	3100

**WLS200 - GPH**

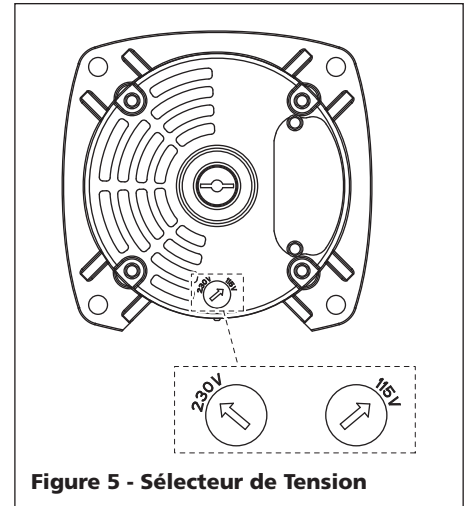


Figure 5 - Sélecteur de Tension

### FILS DE CONNEXION

Le couvercle de bornes doit être en place pour un fonctionnement sans danger. Mettre à la masse conformément aux codes d'électricité nationaux et locaux. Garder les doigts et les objets loin des ouvertures et des pièces rotatives. Couper les sources de courant avant de toucher les pièces intérieures. Se reporter à la Figure 6 pour les emplacements appropriés de câblage.

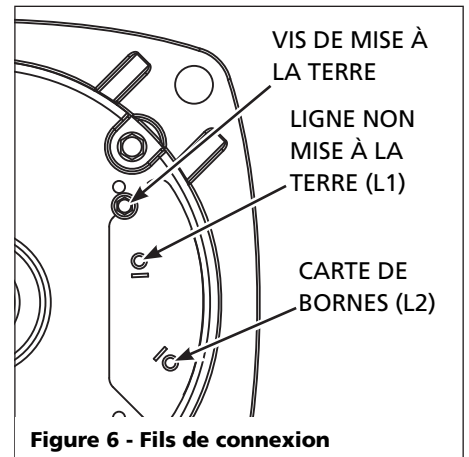


Figure 6 - Fils de connexion

## Fonctionnement

**⚠ ATTENTION** *NE JAMAIS faire fonctionner la pompe sèche. Le fonctionnement de la pompe sans eau peut causer du dommage aux joints. Remplir la pompe avec de l'eau avant le démarrage.*

### AMORÇAGE DE LA POMPE

Une fois que l'installation soit complète, la pompe doit être amorcée. Enlever le bouchon mâle de tuyau dans la tuyauterie de décharge et remplir la pompe et le tuyau d'aspiration avec de l'eau propre. Mettre la pompe en marche. Si la pompe ne pompe pas d'eau dans 10 minutes, couper la pompe et remplir à nouveau avec de l'eau propre.

Si la pompe ne fonctionne pas après plusieurs essais, vérifier que:

1. La distance verticale de la pompe au niveau d'eau ne doit pas dépasser 7,6 mètres.
2. La tuyauterie d'aspiration doit être étanche.
3. S'assurer que la(les) soupape(s) soient ouverte(s) si utilisée(s) dans la tuyauterie de décharge ou d'aspiration.

**⚠ ATTENTION** *NE JAMAIS faire fonctionner la pompe si le décharge est fermé ou obstrué. L'eau dans la pompe peut bouillir et endommager la pompe.*

## Entretien

Conserver la ventilation suffisante pour le moteur de la pompe. Les roulements du moteur sont graissés en permanence à l'usine. Aucun graissage additionnel est exigé.

### PURGER POUR L'HIVER

Toujours protéger la pompe et la tuyauterie contre la congélation. S'il y a danger de congélation, purger le système:

1. Enlever le bouchon mâle de tuyau du té de décharge.
2. Enlever le bouchon d'6,4 mm du bas de la face supérieure de la pompe.
3. Purger toute la tuyauterie située sous le niveau de gelée.

**TABLEAU D'INSTALLATION DE FILS - TAILLES DE FILS ET FUSIBLES**

Modèle	HP	Volts	Ampères	Fusible à Élément Double 250V	Distance en Mètres du Moteur à la Source			
					0	15,2	15,5	30,8
					(Taille de Fil AWG)			
WLS75	3/4	120	15,0	20	3,66	3,05	2,44	
		240	7,5	15	4,27	4,27	3,66	
WLS100	1	120	15,0	20	3,66	3,05	2,44	
		240	7,5	15	4,27	4,27	3,66	
WLS150	1-1/2	120	18,0	30	3,05	3,05	2,44	
		240	9,5	15	4,27	4,27	3,66	
WLS200	2	240	11,5	15	4,27	4,27	3,66	

Taille de Tuyau	Perte de Friction kPa dans 30,5 mètres de Tuyauterie en Plastique*								
	4,542	5,678	6,814	9,085	11,356	13,627	18,170	22,712	27,255
1-1/4 po	17,9	26,9	37,9	64,8	97,2				
1-1/2 po	8,3	17,9	30,3	46,2	64,8	109,6			
2 po		4,1	5,5	8,9	13,8	19,3	32,4	48,9	68,9
2-1/2 po				4,1	5,5	8,3	8,9	20,7	28,9

\* Multiplier par 1,8 pour les tuyaux en acier

## Guide De Dépannage

Symptôme	Cause(s) Possible(s)	Mesure Corrective(s)
Le moteur ne fonctionne pas	<ol style="list-style-type: none"> <li>1. Le sectionneur n'est pas en marche</li> <li>2. Fusible sauté</li> <li>3. Les fils au moteur sont desserrés, débranchés ou installés incorrectement</li> <li>4. Moteur défectueux</li> <li>5. Le sélecteur de tension n'est pas correctement configuré</li> <li>6. Basse tension de ligne</li> </ol>	<ol style="list-style-type: none"> <li>1. S'assurer que le sectionneur est en marche</li> <li>2. Remplacer la fusible</li> <li>3. Se référer aux instructions d'installation de fils. Vérifier et serrer tous les fils</li> <li>4. Remplacer le moteur</li> <li>5. Mettre hors tension, régler le sélecteur de tension (Figure 5) pour correspondre à la tension de circuit. (Voir les branchements électriques à la page 11).</li> <li>6. Contacter un électricien</li> </ol>
<p><b>⚠ AVERTISSEMENT</b> <i>La tension du condensateur PEUT être hasardeux. Pour décharger le condensateur, toucher les bornes courts du condensateur avec un tournevis isolant. S'ASSURER de tenir la manche du tournevis pendant le contact aux bornes du condensateur.</i></p>		
Le moteur fonctionne chaud et l'appareil de déclenchement se déclenche	<ol style="list-style-type: none"> <li>1. L'installation de fils du moteur est incorrect</li> <li>2. Basse tension de ligne</li> <li>3. Station de pompage insuffisamment ventilée</li> </ol>	<ol style="list-style-type: none"> <li>1. Se référer aux instructions d'installation de fils</li> <li>2. Contacter un électricien</li> <li>3. S'assurer que la pompe soit suffisamment ventilée pour refroidir le moteur</li> </ol>
Le moteur fonctionne, mais il n'y a pas de débit d'eau REMARQUE: Vérifier l'amorçage en premier lieu. Dévisser le bouchon d'amorçage et vérifier la présence d'eau dans le trou d'amorçage	<ol style="list-style-type: none"> <li>1. La pompe dans la nouvelle installation ne s'est pas amorcée à cause de: <ol style="list-style-type: none"> <li>a. L'amorçage incorrect</li> <li>b. Fuites d'air</li> <li>c. Fuite de clapet de pied</li> </ol> </li> <li>2. La pompe a perdu son amorçage à cause de: <ol style="list-style-type: none"> <li>a. fuites d'air</li> <li>b. niveau d'eau sous le niveau d'aspiration de la pompe</li> </ol> </li> <li>3. Turbine obstruée</li> <li>4. Vérifier si le clapet ou le clapet de pied est pris dans la position fermée</li> <li>5. Tuyaux congelés</li> <li>6. Clapet de pied et/ou tamis sont enterrés dans le sable ou la boue</li> <li>7. Basse tension de ligne</li> </ol>	<ol style="list-style-type: none"> <li>1. Installation nouvelle: <ol style="list-style-type: none"> <li>a. Amorcer à nouveau selon les instructions</li> <li>b. Vérifier tous les raccordements sur la ligne d'aspiration</li> <li>c. Remplacer le clapet de pied</li> </ol> </li> <li>2. Installations en existence: <ol style="list-style-type: none"> <li>a. Vérifier tous les branchements sur la ligne d'aspiration et du joint d'arbre</li> <li>b. Ligne inférieure d'aspiration dans l'eau et réamorçage. Si le niveau de reflux d'eau dépasse la hauteur d'aspiration, repositionnez la pompe afin d'assurer moins de 7,6 m (25 pi) d'ascension</li> </ol> </li> <li>3. Nettoyer la turbine</li> <li>4. Remplacer le clapet ou le clapet de pied</li> <li>5. Dégeler les tuyaux. Enterrer les tuyaux sous le niveau de la gelée. Faire chauffer la fosse ou la cabanne de pompe</li> <li>6. Soulever le clapet de pied et/ou le tamis au dessus du fond du puits</li> <li>7. Contacter un électricien</li> </ol>
La pompe ne fournit pas d'eau à pleine capacité	<ol style="list-style-type: none"> <li>1. Le niveau d'eau dans le puits est plus bas qu'estimé</li> <li>2. La tuyauterie en acier (si utilisée) est rouillée ou encrassée et cause un excès de friction</li> <li>3. La tuyauterie est trop petite</li> <li>4. Basse tension de ligne</li> </ol>	<ol style="list-style-type: none"> <li>1. Repositionnez la pompe afin de minimiser l'ascension (ascension maximale de 7,61 m (25 pi))</li> <li>2. Remplacer avec la tuyauterie en plastique là où possible ou avec la tuyauterie nouvelle en acier</li> <li>3. Utiliser la tuyauterie plus large</li> <li>4. Contacter un électricien</li> </ol>

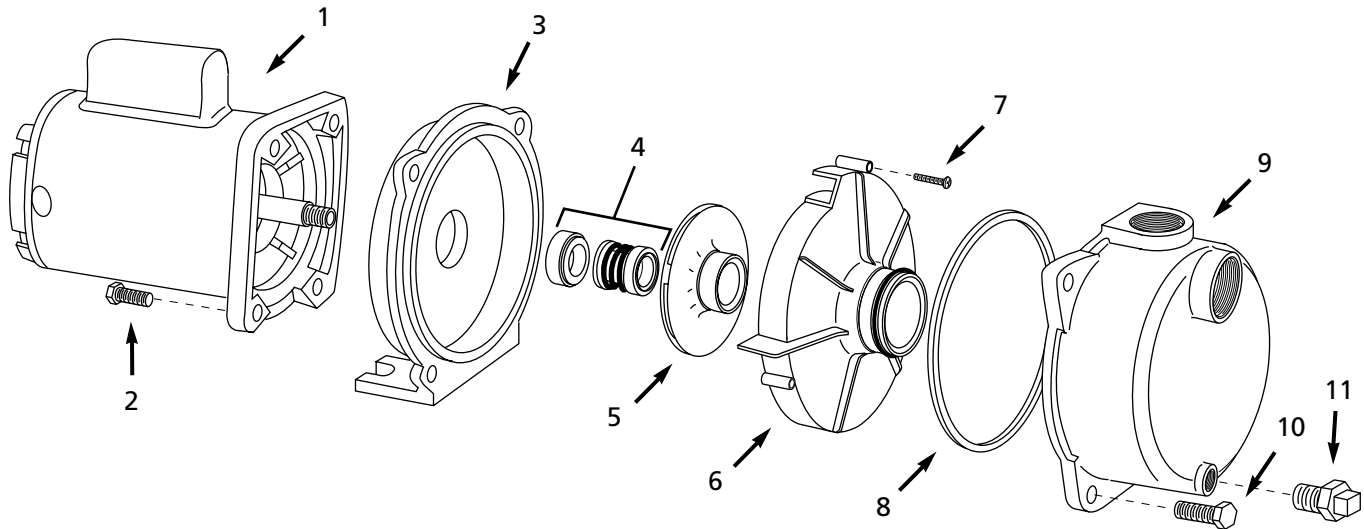
## Pour Pièces de Rechange ou L'assistance Technique, Composer 1-800-237-0987

S'il vous plaît fournir l'information suivante:

- Numéro de Modèle
- Numéro de Série (si présent)
- Description et numéro de la pièce

Correspondance:

Wayne Water Systems  
101 Production Drive  
Harrison, OH 45030 U.S.A.



N° Réf.	Description	Numéro de Pièce pour Modèles:				Qté.
		WLS75	WLS100	WLS150	WLS200	
1	Moteur	32015-001	32015-002	32020-001	32021-001	1
2	Vis d'assemblage hexagonale, 3/8-16 x 1 po	16334	16334	16334	16334	4
3	Plaque de joint	41011-001	41011-001	41011-001	41011-001	1
4	Montage de joint d'arbre	15559-002	15559-002	15559-002	15559-002	1
5	Turbine	29806-001	29805-001	29804-001	29803-001	1
6	Diffuseur	29807-001	29807-001	29807-001	29807-001	1
7	Vis Phillips 10-24 x 1 po	67017-001	67017-001	67017-001	67017-001	3
8	Bague carrée	19013-001	19013-001	19013-001	19013-001	1
9	Volute	41010-001	41010-001	41010-001	41010-001	1
10	Vis d'assemblage hex. 7/16-16 x 1.25 po	67018-001	67018-001	67018-001	67018-001	4
11	Bouchon mâle de tuyau à t. carré 1/4 po NPT	16314-002	16314-002	16314-002	16314-002	1



## Garantie Limitée

Pour un an à compter de la date d'achat, WAYNE Water Systems ("WAYNE") vas réparer ou remplacer, à son option, pour l'acheteur originel n'importe quelle pièce ou pièces de ces Pompes De Puisard ou Pompes À Eau ("Produit") déterminées défectueuses, par WAYNE, en matière ou en fabrication. S'il vous plaît appeler WAYNE (800-237-0987) pour des instructions ou contacter votre marchand. S'assurer d'avoir, à votre disposition, le numéro du modèle afin d'effectuer cette garantie. Les frais de transportation des Produits ou pièces soumis pour la réparation ou le remplacement sont la responsabilité de l'acheteur.

Cette Garantie Limitée ne couvre pas les Produits qui se sont fait endommagés en résultat d'un accident, utilisation abusive, mauvais usage, négligence, l'installation incorrecte, entretien incorrect, ou manque d'utilisation conformément aux instructions écrit de WAYNE.

**IL N'EXISTE AUCUNE AUTRE GARANTIE OU AFFIRMATION. LES GARANTIES EXPRIMÉES, Y COMPRIS CELLES DE COMMERCIALISABILITÉ ET D'ADAPTION À UNE FONCTION PARTICULIÈRE, SONT LIMITÉES À UN AN À COMPTER DE LA DATE D'ACHAT. CECI EST LA REMÈDE EXCLUSIVE ET N'IMPORTE QUELLE RESPONSABILITÉ POUR N'IMPORTE QUEL ET TOUT DOMMAGES INDIRECTS OU DÉPENSES QUOI QUE SE SOIT EST EXCLUS.**

Certaines Provinces n'autorisent pas de limitations de durée pour les garanties implicites, ni l'exclusion ni la limitation des dommages fortuits ou indirects. Les limitations précédentes peuvent donc ne pas s'appliquer. Cette garantie limitée donne, à l'acheteur, des droits légaux précis, et vous pouvez avoir autres droits légaux qui sont variable d'une Province ou d'un État à l'autre.

En aucun cas, soit par suite d'un rupture de contrat de garantie, acte dommageable (y compris la négligence) ou autrement, ni WAYNE ou ses fournisseurs seront responsables pour aucune dommage spéciale, incidentel ou pénal, y compris, mais pas limité à la perte de profits ou recettes, la perte d'usage des produits ou n'importe quel équipement associé, dommage à l'équipement associé, coût de capital, coût de produits remplaçants, aménagements, services ou abilité de remplacement, coût de temps que le produit n'est pas en service, ou la réclamation des clients de l'acheteur pour ces dommages.

Vous **DEVEZ** garder votre facture d'achat avec ce bulletin. Il est **NÉCESSAIRE** d'envoyer une **COPIE** de la recette d'achat avec le matériel ou correspondance afin d'effectuer une réclamation de la garantie. S'il vous plaît appeler WAYNE (800-237-0987) pour l'autorisation et instructions concernant le renvoi.

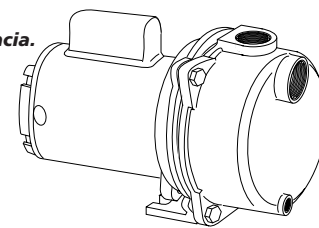
**NE PAS ENVOYER, PAR LA POSTE, CE BULLETIN À WAYNE.** Utiliser ce bulletin seulement pour vos archives.

N° DU MODÈLE \_\_\_\_\_ N° DE SÉRIE \_\_\_\_\_ DATE D'INSTALLATION \_\_\_\_\_

**FIXER VOTRE FACTURE ICI**



Sírvase leer y guardar estas instrucciones. Lea con cuidado antes de tratar de armar, instalar, manejar o darle servicio al producto descrito en este manual. Protéjase Ud. y a los demás observando todas las reglas de seguridad. El no seguir las instrucciones podría resultar en heridas y/o daños a su propiedad. Guarde este manual como referencia.



## Bomba para Regar Césped

### Descripción

Estas bombas centrífugas, de alta capacidad, con sistema, están diseñadas para regar césped u otras aplicaciones donde se requieran grandes cantidades de agua. Esta bomba NO SE debe utilizar para rociar líquidos inflamables tales como gasolina, químicos o líquidos corrosivos. Use la bomba ÚNICAMENTE para bombear agua limpia.

### Medidas de seguridad

Este manual contiene información que es muy importante que sepa y comprenda. Esta información se la suministramos como medida de SEGURIDAD y para EVITAR PROBLEMAS CON EL EQUIPO. Debe reconocer los siguientes símbolos.

**▲ PELIGRO** Esto le indica que hay una situación inmediata que LE OCASIONARÍA la muerte o heridas de gravedad.

**▲ ADVERTENCIA** Esto le indica que hay una situación que PODRÍA ocasionarle la muerte o heridas de gravedad.

**▲ PRECAUCION** Esto le indica que hay una situación que PODRÍA ocasionarle heridas no muy graves.

**AVISO** Esto le indica una información importante, que de NO seguirla, le PODRÍA ocasionar daños al equipo.

### Informaciones Generales de Seguridad

#### PROPOSICIÓN 65 DE CALIFORNIA

**▲ ADVERTENCIA** Este producto o su cable de corriente pueden contener químicos, incluido plomo, que es conocido por el Estado de California como causante de cáncer y defectos de nacimiento u otros daños reproductivos. Lávese las manos después de manipularlo.

### INFORMACION GENERALES DE SEGURIDAD

1. Lea estas instrucciones con cuidado. Si no sigue estas instrucciones PODRÍA sufrir heridas de gravedad y/o daños a su propiedad.



**▲ PELIGRO** Riesgo de choque eléctrico. Esta bomba no es sumergible.

**▲ PELIGRO** Úsela sólo para bombear agua limpia. NO la use para bombear líquidos inflamables o explosivos tales como gasolina, combustibles, Kerosene, etc. NO la use en atmósferas inflamables o explosivas. Ésto TENDRÁ ocasionarle heridas y/o daños a su propiedad.



**AVISO** Esta bomba NO está diseñada para bombear agua salada, salmuera, agua con detergentes o para ningún tipo de aplicación donde el agua pueda contener químicos cáusticos y/o desperdicios. Ésto PODRÍA dañar la bomba y cancelar la garantía.

**▲ ADVERTENCIA** Todos los trabajos de alambrado los debe hacer un electricista calificado.



2. Conecte este producto a un circuito con conexión a tierra con un dispositivo de interruptor de un circuito con descarga a tierra (GFCI).
3. Antes de instalar esta bomba, un electricista calificado debe chequear el circuito eléctrico para verificar que esté conectado a tierra adecuadamente.
4. CERCIORESE de que la fuente de energía de la bomba esté desconectada antes de instalar, realizar servicio o mantener la bomba.
5. Chequee el voltaje indicado en la placa del motor y cerciórese de que el voltaje de la corriente eléctrica sea el adecuado (consulte la figura 5 en la página 19).



6. Cerciórese de que el agua suministrada y las tuberías no tengan residuos de arena, impurezas o scale. Los residuos de basura ATASCARÍAN la bomba y la garantía QUEDARÍA cancelada.
7. Evite que la bomba y las tuberías se congelen porque si ésto ocurre PODRÍA ocasionarle daños severos a la bomba y la garantía QUEDARÍA cancelada.
8. No encienda la bomba antes de cebarla. Siga las instrucciones al respecto.

**▲ ADVERTENCIA** El motor de la bomba está equipado con un protector térmico automático y se puede activar repentinamente. El accionamiento del protector indica un calentamiento del motor debido a que la bomba está funcionando en saltos bajos (restricción de descarga baja), voltajes excesivamente altos o bajos, un cableado inadecuado, conexiones incorrectas del motor, temperatura excesiva del aire que lo rodea, ventilación inadecuada y/o un motor o bomba defectuosos.

### Instalación

Proteja la bomba contra las inclemencias del tiempo instalándola en el sótano, garaje o cobertizo. Instálela de modo que el centro de la bomba esté lo más cerca posible al nivel de agua. Mantenga el área despejada de modo que esté accesible para darle servicio y mantenimiento. Proteja la bomba contra inundaciones y excesos de humedad.

Cerciórese de que la bomba tenga ventilación adecuada. La temperatura ambiental no debe exceder 38°C (100°F) o el motor se puede comenzar a apagar constantemente.

**RECORDATORIO: ¡Guarde su comprobante de compra con fecha para fines de la garantía! Adjúntela a este manual o archívela en lugar seguro.**

## Instalación (Continuación)

### INSTALACION DE LAS TUBERIAS

Use tuberías nuevas para obtener mejores resultados. Puede usar tuberías galvanizadas o plásticas. Si utiliza tuberías galvanizadas, debe instalarles soportes independientes tanto a las tuberías de succión como a las de descarga, lo más cerca posible a la bomba, para evitar que ésta se fuerce excesivamente. Reduzca el uso de codos y conectores para reducir la pérdida debido a fricción. Vea la información específica al respecto en la tabla de fricción (en la página 20). Si la longitud de las tuberías es más de 15,2 metros (50') debe aumentar el diámetro de las tuberías de descarga.

### TUBERIAS DE SUCCION

**ADVERTENCIA** *Instálele una válvula de pie o un colador en la entrada de la tubería de succión.*

Nunca use tuberías de menos de 5,1 cm (2") de diámetro en el sistema de succión. Debe evitar las fugas de aire en las tuberías de succión.

Las tuberías horizontales se deben instalar de modo que tengan una inclinación hacia arriba de por lo menos 6,4 mm (1/4") por cada pie de longitud. Ésto elimina la acumulación de aire en las tuberías. El orificio de entrada donde se conecta la tubería a la bomba es de 5,1 cm (2") NPT.

**PELIGRO** *No instale las tuberías de succión cerca de áreas donde se nade.*

### TUBERIAS DE DESCARGA

Instale un conector en T de 3,8 cm en el orificio de salida para facilitar el proceso de cebar la bomba. Colóquelo un tapón en el orificio del lado opuesto a la bomba de modo que el agua se dirija hacia las regaderas (Vea la Figura 1).

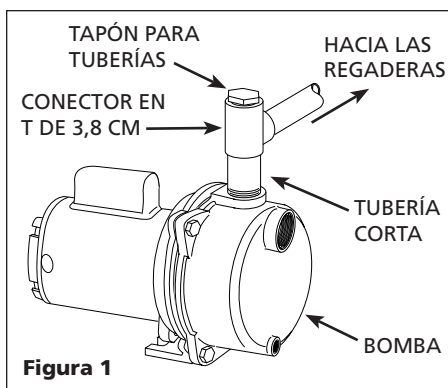


Figura 1

Quítele el tapón cuando vaya a llenar de agua la bomba para cebarla.

### CONEXION A LA FUENTE DE AGUA

La altura máxima de succión entre la bomba y el nivel de agua es de 7,6 metros (25').

### POZOS TALADRADOS

1. Instale una válvula de pie en la primera sección de la tubería (vea la Figura 2).
2. Coloque la tubería dentro del pozo.
3. Añada tubos hasta que la válvula de pie esté a 3,05 metros por debajo del nivel de agua más bajo anticipado.

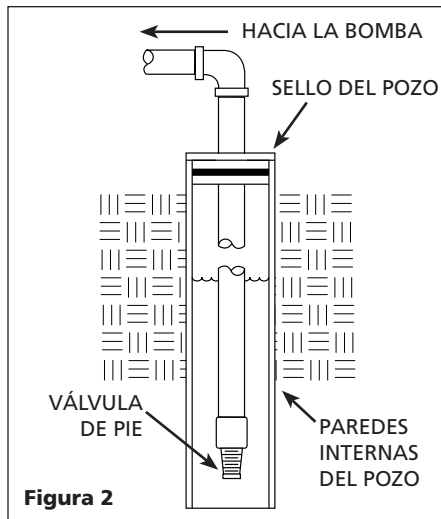


Figura 2

Las juntas o acoples con pérdidas dejarán que el aire se fugue hacia la tubería y cause un mal funcionamiento de la bomba o dificultad para cebar. Asegúrese de usar un compuesto para juntas de tuberías o cinta de sellado de plomería en todas las conexiones roscadas de las tuberías.

**PRECAUCION** *Para evitar la entrada de arena o sedimentos al sistema la distancia mínima entre la válvula de pie y el fondo del pozo es de 2 pies del fondo del pozo.*

4. Después de alcanzar la profundidad adecuada, instale un sello para pozos o un adaptador para pozos sin fondo para sostener las tuberías.
5. Incline las tuberías horizontales hacia arriba para evitar la acumulación de aire.
6. Cuando use una válvula de pie, es recomendable que instale una conexión en T y un tapón antes del sello del pozo.

### POZOS EXCAVADOS

- Excave varios pies por debajo del nivel de agua freática.

**NOTA:** Puede instalar una válvula de pie tipo packer en el pozo (Vea la Figura 3). Este tipo de válvula de pie permite que la tuberías en el pozo se llenen de agua durante el proceso de cebar la bomba y le facilita chequear si hay fugas en la tubería de entrada. Siga las instrucciones del fabricante para instalar la válvula de pie tipo packer.

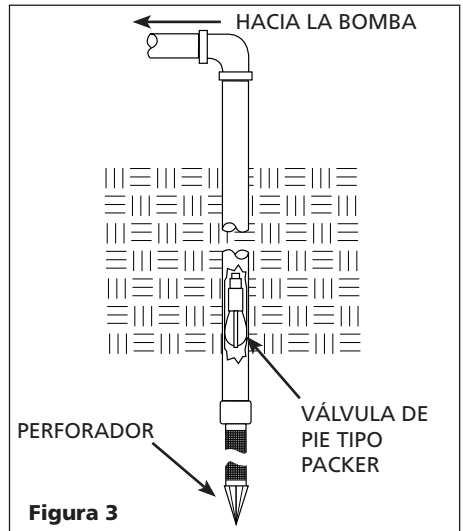


Figura 3

Igualmente, puede usar una válvula de chequeo incorporada a la línea en los pozos excavados (Vea la Figura 4).

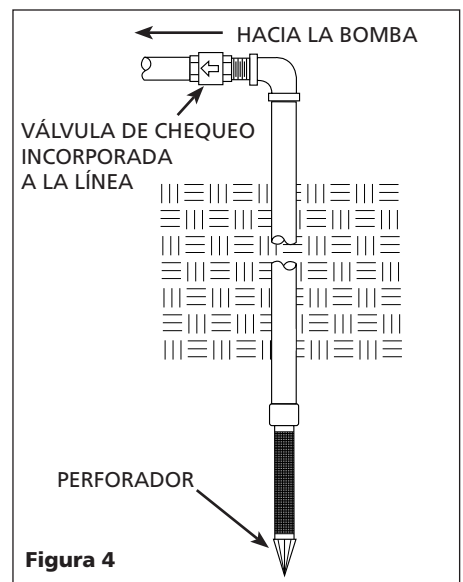


Figura 4

## Instalación (Continuación)

Quizás sea necesario conectar la bomba al pozo en varios puntos para mantener su alta capacidad de flujo. Consúltele a un plomero profesional sobre los materiales adecuados y las instrucciones para instalarla.

Las juntas o acoples con pérdidas dejarán que el aire se fugue hacia la tubería y cause un mal funcionamiento de la bomba o dificultad para cebar. Asegúrese de usar un compuesto para juntas de tuberías o cinta de sellado de plomería en todas las conexiones roscadas de las tuberías.

## Para instalar la bomba en pozos excavados, Cisternas, Lagos y Manantiales

- Instálele una válvula de pie a la tubería de entrada y métala dentro del agua.

### **PRECAUCION** No ubique la válvula de pie a

menos de 0,61 metros del fondo de la fuente de agua para evitar que entren al sistema residuos de arena u otros sedimentos

**NOTA:** Si la fuente de suministro de agua es un lago, cerciórese de que la tubería de succión sea suficientemente larga para que siempre permanezca sumergida. Inclíne la tubería hacia arriba en dirección a la bomba para evitar las acumulaciones de aire. Debe sacar la tubería durante el invierno para evitar que se congele.

Cabezal (pies)	Presión (bar)			
	15	20	25	30
5	3100	2700	2350	1950
10	2900	2550	2200	1700
15	2750	2400	2000	1400
20	2600	2200	1750	1000
25	2450	2050	1450	500

WLS75 - GPH

Cabezal (pies)	Presión (bar)			
	15	20	25	30
5	4350	3950	3400	2950
10	4200	3700	3200	2750
15	3950	3450	3000	2500
20	3700	3250	2800	2150
25	3500	3050	2550	1700

WLS150 - GPH

**ADVERTENCIA** Proteja la tubería del daño causado por nadadores y remeros. Instale una rejilla alrededor de la entrada de la tubería para evitar que los nadadores queden atrapados.

## Conecciones Eléctricas

Conecte la bomba a un circuito eléctrico independiente con un disyuntor dedicado. Consulte las especificaciones eléctricas de la tabla de cableado para ver el tamaño recomendado de fusible y del cable.

Instale y mantenga el sistema eléctrico de esta bomba según los códigos nacionales y locales al respecto.

El motor se debe conectar a tierra con un conductor de cobre conectado al tornillo de conexión a tierra suministrado en el compartimiento de alambres.

El voltaje de la fuente de suministro eléctrico debe ser similar al de la bomba. Los modelos WLS75, WLS100 y WLS150 le ofrecen un sistema de voltaje doble y vienen de fábrica para funcionar a 230 voltios. Para conectarlas a circuitos de 115 voltios simplemente gire la perilla al voltaje deseado (Vea la Figura 5). Use una pinza (alicate) de punta afilada para halar la perilla aproximadamente un 6,4 mm (1/4"), gírela y colóquela en su posición correcta. **NOTA: El modelo WLS200 no se puede modificar; esta bomba sólo funciona con 230 voltios.**

Cabezal (pies)	Presión (bar)			
	15	20	25	30
5	3650	3200	2800	2450
10	3450	3000	2650	2200
15	3250	2850	2450	1950
20	3050	2650	2300	1600
25	2850	2500	2050	1150

WLS100 - GPH

Cabezal (pies)	Presión (bar)			
	15	20	25	30
5	--	5300	4800	4200
10	--	5100	4500	3950
15	5300	4850	4250	3750
20	5150	4550	4000	3450
25	4850	4300	3750	3100

WLS200 - GPH

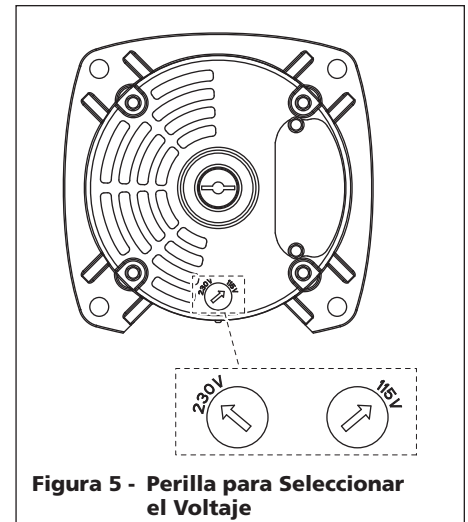


Figura 5 - Perilla para Seleccionar el Voltaje

### CABLES DE CONEXIÓN

La cubierta del terminal debe estar en su lugar para un funcionamiento seguro. Conecte a tierra de acuerdo con los códigos eléctricos locales y nacionales. Mantenga los dedos y objetos alejados de las aberturas y piezas giratorias. Desconecte las fuentes de energía antes de tocar piezas internas. Vea en la Figura 6 las ubicaciones de cableado apropiadas.

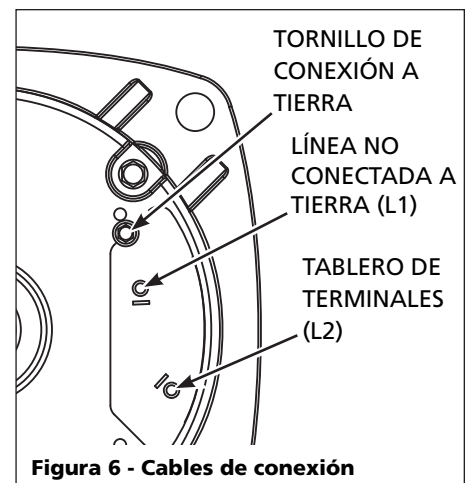


Figura 6 - Cables de conexión

## Funcionamiento

**PRECAUCION** *NUNCA use la bomba en seco. El hacerlo podría dañar los sellos. Llene la bomba de agua antes de encenderla.*

### PARA CEBAR LA BOMBA

Después de terminar de instalar la bomba deberá cebarla. Quítele el tapón a la tubería de descarga y llene la bomba y la tubería de succión de agua limpia. Encienda la bomba. Si la bomba no comienza a bombear agua en 10 minutos, apáguela y llénela de agua limpia una vez más.

Si la bomba no funciona después de varios intentos, chequee lo siguiente:

1. La distancia vertical entre la bomba y el nivel de agua no debe ser más de 7,6 metros (25').
2. Las tuberías de succión deben estar apretadas herméticamente.
3. Cerciórese de que la(s) válvula(s) de las tuberías de descarga o de succión estén abiertas (de haberlas).

**PRECAUCION** *NUNCA use la bomba si las tuberías de descarga están cerradas u obstruidas. El agua dentro de la bomba podría hervir y dañar la bomba.*

## Mantenimiento

El motor de la bomba debe mantenerse bien ventilado. Los cojinetes del motor vienen de fábrica lubricados de por vida. Éstos no necesitan lubricación adicional.

### DURANTE EL INVIERNO

Siempre proteja la bomba y las tuberías contra temperaturas congelantes. Si hay peligro de que se congelen, drene el sistema. Para drenar el sistema:

1. Quítele el tapón al conector en T de la tubería de descarga.
2. Quítele el tapón de 6,4 mm (1/4") ubicado en la parte inferior del frente de la bomba.
3. Drene todas las tuberías ubicadas por debajo de la línea de congelamiento.

**TABLA DE ALAMBRADO - ALAMBRES Y FUSIBLES RECOMENDADOS**

Modelo	CP	Voltios	Amperios	Fusible de Doble Elemento 250V	Distancia entre el Motor y la Fuente (en Metros)		
					0 15,2 (Calibre del Alambre AWG )	15,5 30,5	30,8 61
WLS75	3/4	120	15,0	20	3,66	3,05	2,44
		240	7,5	15	4,27	4,27	3,66
WLS100	1	120	15,0	20	3,66	3,05	2,44
		240	7,5	15	4,27	4,27	3,66
WLS150	1-1/2	120	18,0	30	3,05	3,05	2,44
		240	9,5	15	4,27	4,27	3,66
WLS200	2	240	11,5	15	4,27	4,27	3,66

Diám. del Tubo	Pérdida debido a la fricción por cada 30,5 metros de tubos de plástico bar *								
	4,542	5,678	6,814	9,085	11,356	13,627	18,170	22,712	27,255
3,2 cm (1-1/4")	0,179	0,269	0,379	0,648	0,972				
3,8 cm (1-1/2")	0,083	0,179	0,303	0,462	0,648	1,096			
5,1 cm (2")		0,041	0,055	0,089	0,138	0,193	0,324	0,489	0,689
6,4 cm (2-1/2")				0,041	0,055	0,083	0,089	0,207	0,289

\* Multiplique por 1,8 si usa tubos de acero

## Diagnóstico de Averías

Problema	Posible(s) Causa(s)	Acción a Tomar(s)
El motor no funciona	<ol style="list-style-type: none"> <li>1. El interruptor está en "off" (apagado)</li> <li>2. El fusible está quemado</li> <li>3. Los cables eléctricos del motor están flojos, desconectados o mal conectados</li> <li>4. Motor defectuoso</li> <li>5. El interruptor selector de voltaje no está correctamente configurado</li> <li>6. Bajo voltaje del circuito</li> </ol>	<ol style="list-style-type: none"> <li>1. Cerciórese de que el interruptor esté en "ON" (encendido)</li> <li>2. Reemplace el fusible</li> <li>3. Vea las instrucciones del alambrado. Chequee y conecte bien todos los alambres</li> <li>4. Cambie el motor</li> <li>5. Desconecte la corriente, fije el interruptor selector de voltaje (Figura 5) para que coincida con el voltaje de línea. (Consulte la página 19 de conexiones eléctricas).</li> <li>6. Póngase en contacto con un electricist</li> </ol> <p><b>⚠ ADVERTENCIA</b> <i>El voltaje del capacitador podría ser peligroso. Para descargarlo tóquelo con un desarmador aislado. CERCIORESE de sostener el desarmador por el mango aislado cuando esté haciendo contacto con los terminales del capacitador.</i></p>
El motor se recalienta y el sistema de protección lo apaga	<ol style="list-style-type: none"> <li>1. Los cables del motor están mal conectados</li> <li>2. Bajo voltaje del circuito</li> <li>3. La envoltura de la bomba no está bien ventilada</li> </ol>	<ol style="list-style-type: none"> <li>1. Vea las instrucciones del alambrado</li> <li>2. Póngase en contacto con un electricist</li> <li>3. Cerciórese de que la bomba tenga suficiente ventilación para enfriar el motor</li> </ol>
El motor funciona pero la bomba no suministra agua NOTA: Ante todo chequee el sistema de cebado. Sáquele el tornillo del sistema de cebado y vea si el orificio está lleno de agua.	<ol style="list-style-type: none"> <li>1. Después de instalar la bomba en un sitio diferente, la bomba no completó el proceso de cebado debido a: <ol style="list-style-type: none"> <li>a. Cebado incorrecto</li> <li>b. Fugas de aire</li> <li>c. Fugas en la válvula de pie</li> </ol> </li> <li>2. La bomba perdió el cebado debido a: <ol style="list-style-type: none"> <li>a. Fugas de aire</li> <li>b. El nivel de agua inferior a la distancia de succión de la bomba</li> </ol> </li> <li>3. La propela está obstruida</li> <li>4. La válvula de chequeo o la válvula de pie están atascadas en la posición cerrada</li> <li>5. Las tuberías están congeladas</li> <li>6. La válvula de pie y/o el colador están enterrados en arena o lodo</li> <li>7. Bajo voltaje del circuito</li> </ol>	<ol style="list-style-type: none"> <li>1. Instalación nueva: <ol style="list-style-type: none"> <li>a. Siga las instrucciones para cebar la bomba</li> <li>b. Chequee todas las conexiones de la línea de succión</li> <li>c. Reemplace la válvula de pie</li> </ol> </li> <li>2. Instalaciones actuales: <ol style="list-style-type: none"> <li>a. Chequee todas las conexiones de la línea de succión y el sello del eje</li> <li>b. Baje la línea de succión al agua y vuelva a cebar. Si el nivel del agua que retrocede excede la elevación de succión, reposicione la bomba para asegurar que la elevación sea menor de 7,6 m (25 pies).</li> </ol> </li> <li>3. Limpie la propela</li> <li>4. Reemplace las válvulas de chequeo o de pie</li> <li>5. Descongele las tuberías. Entiérrela por debajo de la línea de congelamiento. Caliente el pozo o el sitio donde tenga almacenada la bomba</li> <li>6. Coloque la válvula de pie y/o el colador por encima del fondo del pozo</li> <li>7. Póngase en contacto con un electricist</li> </ol>
La bomba no le suministra agua a la capacidad máxima	<ol style="list-style-type: none"> <li>1. El nivel de agua del pozo es inferior a lo estimado</li> <li>2. Las tuberías de acero (de usarlas) están oxidadas o alcalizadas, ocasionando fricción excesiva</li> <li>3. Las tuberías son muy pequeñas</li> <li>4. Bajo voltaje del circuito</li> </ol>	<ol style="list-style-type: none"> <li>1. Reposicione la bomba para minimizar la elevación (elevación máxima de 7,6 m (25 pies))</li> <li>2. Reemplace las tuberías con tuberías de plástico donde sea posible, de lo contrario use tuberías de acero nuevas</li> <li>3. Use tuberías más anchas</li> <li>4. Póngase en contacto con un electricist</li> </ol>

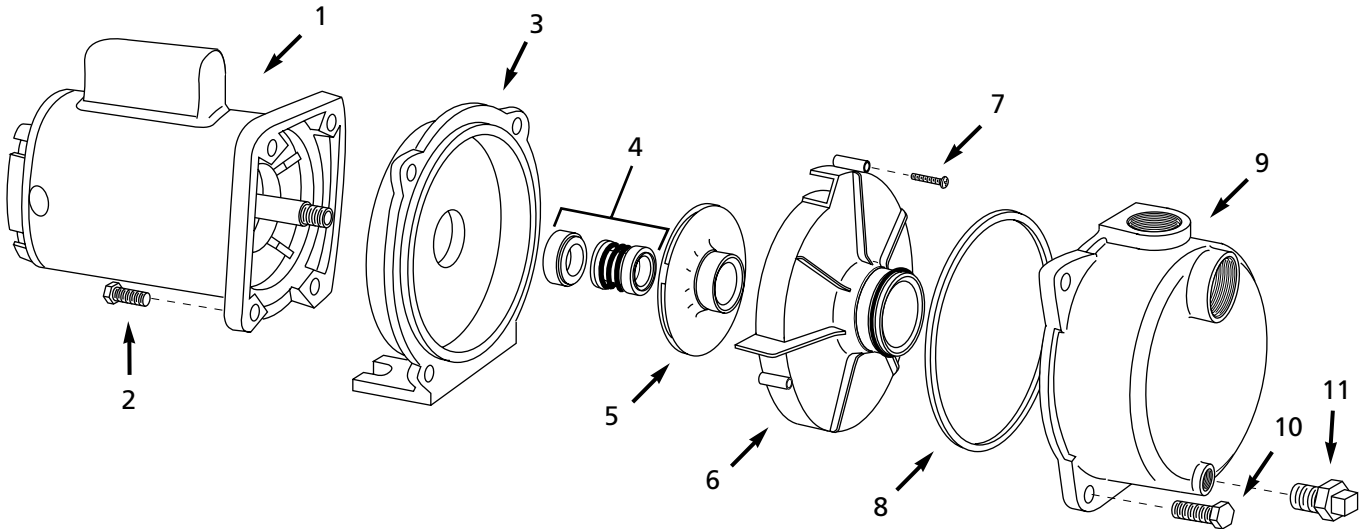
## Para Ordenar Repuestos Asistencia Técnica, Comuníquese con el Distribuidor Más Cercano a su Domicilio

Sírvase suministrarnos la siguiente información:

- Número del modelo
- Número de Serie (de haberlo)
- Descripción y número del repuesto según la lista de repuestos

Puede escribirnos a:

Wayne Water Systems  
101 Production Drive  
Harrison, OH 45030 U.S.A.



No. de Ref.	Descripción	Para los Modelos:				Ctd.
		WLS75	WLS100	WLS150	WLS200	
1	Motor	32015-001	32015-002	32020-001	32021-001	1
2	Tornillo Hex. de 9,5 mm (3/8") -16 x 2,5 cm (1")	16334	16334	16334	16334	4
3	Placa selladora	41011-001	41011-001	41011-001	41011-001	1
4	Ensamblaje del sello del eje	15559-002	15559-002	15559-002	15559-002	1
5	Propela	29806-001	29805-001	29804-001	29803-001	1
6	Difusor	29807-001	29807-001	29807-001	29807-001	1
7	Tornillo tipo Phillips de 10-24 x 2,5 cm (1")	67017-001	67017-001	67017-001	67017-001	3
8	Anillo cuadrado	19013-001	19013-001	19013-001	19013-001	1
9	Voluta	41010-001	41010-001	41010-001	41010-001	1
10	Tornillo Hex. de 11,1 mm (7/16") -16 x 3,2 cm (1.25")	67018-001	67018-001	67018-001	67018-001	4
11	Tapón de 6,4 mm (1/4") NPT	16314-002	16314-002	16314-002	16314-002	1



**Garantía Limitada**

Durante un año a partir de la fecha de compra del comprador original, la compañía WAYNE Water Systems ("WAYNE") reparará o reemplazará, según lo decida, cualquier pieza de esta bomba de desagüe o bomba de agua que se encuentre defectuosa debido a materiales usados o procesos de manufactura. Sírvase llamar a la compañía WAYNE (800-237-0987, desde EUA) para recibir instrucciones al respecto o comuníquese con el distribuidor más cercano a su domicilio. Para hacer reclamos bajo esta garantía deberá suministrarnos el número del modelo y el número de serie del producto. El comprador será responsable de pagar todos los gastos de flete para enviar las piezas o el producto para que sean reparados o reemplazados.

Esta garantía Limitada no cubre los daños que sufra el producto debido a accidentes, abusos, usos inadecuados, negligencia, instalación incorrecta, mantenimiento inadecuado o haberse utilizado sin seguir las instrucciones escritas suministradas por la compañía WAYNE.

**NO EXISTEN OTRAS GARANTIAS EXPRESAS. LAS GARANTIAS IMPLICITAS INCLUYENDO GARANTIAS EN RELACION AL MERCADEO O USOS ESPECIFICOS ESTAN LIMITADAS A UN AÑO A PARTIR DE LA FECHA DE COMPRA. ESTA ES LA UNICA GARANTIA DISPONIBLE Y TODAS LAS REONSABILIDADES CIVILES, DIRECTAS O INDIRECTAS, O GASTOS POR DAÑOS INDIRECTOS O CONSECUENTES QUEDAN EXCLUIDOS.**

Algunos estados no permiten que se establezcan límites en la duración de las garantías implícitas o no permiten que se excluyan ni se establezcan límites en los daños por incidentes o consecuencias, por lo tanto los límites antes mencionados podrían ser no válidos. Esta Garantía Limitada le otorga derechos legales específicos, y usted también puede tener otros derechos que varían de un Estado a otro.

En ningún caso, bien sea por ruptura del contrato de la garantía, responsabilidad civil (incluyendo negligencia) u otra causa, WAYNE o sus distribuidores serán responsables por daños especiales, consecuentes ni circunstanciales ni penales, incluyendo, pero no limitados a la pérdida de ganancias, pérdida de uso del producto o equipos asociados, daños a equipos asociados, costos de capitales, costos para substituir productos, costos para substituir o reemplazar servicios, costos por pérdida de productividad, o reclamos de clientes del comprador por dichos daños.

**DEBE** conservar el recibo de compra con esta garantía. En caso de que necesite hacer un reclamo bajo esta garantía, **DEBERA** enviarnos una  **copia**  del recibo junto con el material o correspondencia. Sírvase comunicarse con la compañía WAYNE (800-237-0987, en EUA) para recibir autorización e instrucciones para enviar el producto.

**NO ENVIE ESTA GARANTIA A WAYNE.** Use este documento sólo para mantener sus records.

NO DEL MODELO \_\_\_\_\_ NO DE SERIE \_\_\_\_\_ FECHA DE INSTALACION \_\_\_\_\_

**ANEXE SU RECIBO AQUI**